

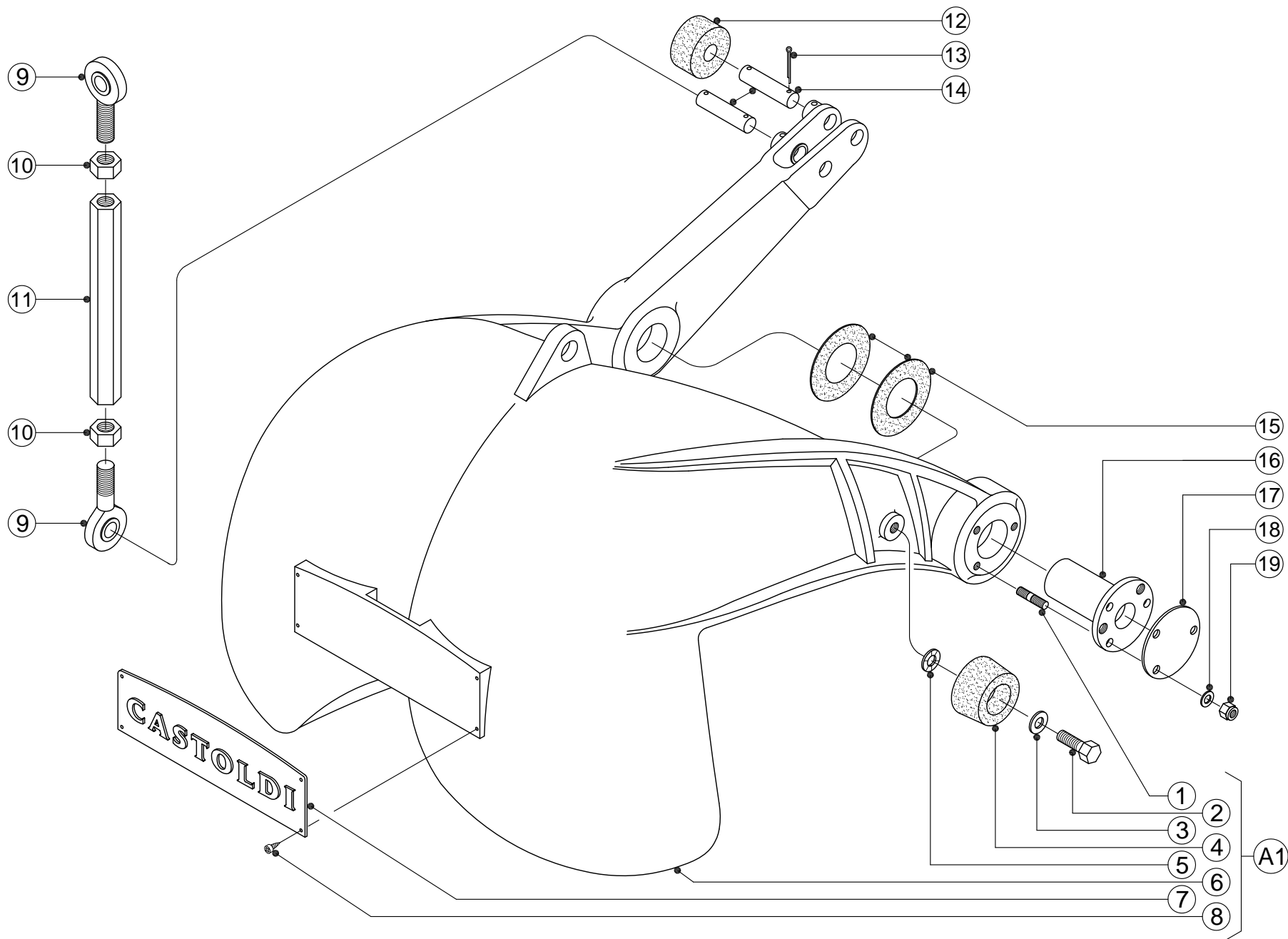
Turbodrives 240
H.C.T. and L.V.T.

Spare parts

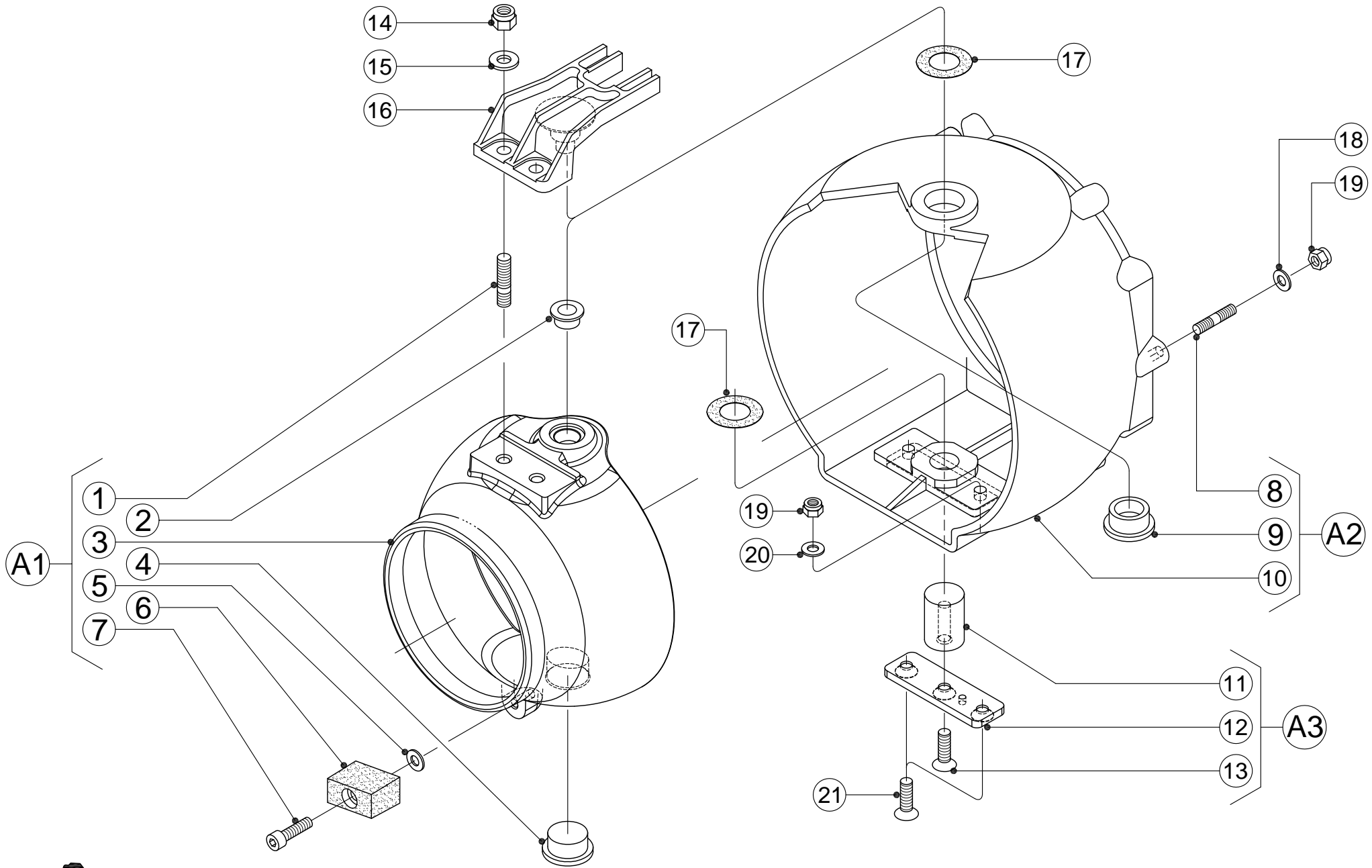
599.00901 – TD240HCT ANODE KIT			
CODE	DESCRIPTION	QTY	PAGE LINK
590.65070	Circular Anode	1	240HCT-04
314.31075	Lock Washer with internal teeth 8,5 UNI 3704	15	240HCT-02 240HCT-03 240HCT-04 240HCT-05 240HCT-09 240HCT-10 240HCT-16
312.45080	Torque-Type Hex. Nut M8 DIN 985	7	240HCT-04 240HCT-05 240HCT-16
311.55085	Allen Screw M8x35 UNI 5931	2	240HCT-03 240HCT-17
312.45060	Hexagonal Nut M6 DIN 982	3	240HCT-04
311.15152	Hexagonal-Head Screw M8x25 UNI 5739	8	240HCT-02 240HCT-04 240HCT-05
590.65139	Sacrificial Anode diam 45/25	13	240HCT-02 240HCT-04 240HCT-05 240HCT-16
300.01221	Rectangular Anode 43x32x23	3	240HCT-03 240HCT-09 240HCT-10 240HCT-17
314.91084	Plain Washer 8,4x17x1,6 UNI 6592	15	240HCT-02 240HCT-04 240HCT-05 240HCT-16
311.55084	Allen Screw M8x40 UNI 5931	1	240HCT-09 240HCT-10
300.01218	Sacrificial Anode d.22	1	240HCT-17
314.31066	Lock Washer with Internal Teeth 6,5 DIN 6798	3	240HCT-04

592.044014 - TD240HCT SEAL KIT			
CODE	DESCRIPTION	QTY	PAGE LINK
381.19980	O-Ring 41000 diam.253,6x3,56	2	240HCT-05
381.12580	O-Ring 134 diam.25,8x3,53	1	240HCT-05
381.14086	O-Ring 4162 diam.40,86x3,53	1	240HCT-06
381.10504	O-Ring 3243 diam.61,6x2,62	1	240HCT-07
382.14004	Lip Seal 40x58x7	2	240HCT-07
381.14569	O-Ring 3181 diam.45,69x2,62	2	240HCT-08
381.12340	O-Ring 4093 diam.23,4x3,53	2	240HCT-09
		1	240HCT-17
381.12022	O-Ring 4081 diam.20,22x3,53	2	240HCT-09 240HCT-10
381.12830	O-Ring 2112 diam.28,3x1,78	2	240HCT-12 240HCT-13
381.18300	O-Ring 3325 diam.82,22x2,62	1	240HCT-14 240HCT-15
381.14100	O-Ring 2162 diam.41x1,78	2	240HCT-14 240HCT-15
382.14520	Lip Seal 40x72x10	1	240HCT-14 240HCT-15
381.10528	O-Ring 2021 diam. 5,28x1,78	1	240HCT-16
381.10000	O-Ring 189 diam. 100x5,34	1	240HCT-16
381.12670	O-Ring 2106 diam. 26,7x1,78	1	240HCT-17
381.13299	O-Ring 3131 diam. 32,99x2,62	2	240HCT-17
381.00004	O-Ring 4028	1	240HCT-18
381.11085	O-Ring 2056 diam.14x1,78	2	240HCT-22
381.10680	O-Ring 108 diam. 8,73x1,78	2	240HCT-25
			240HCT-28
			240HCT-31

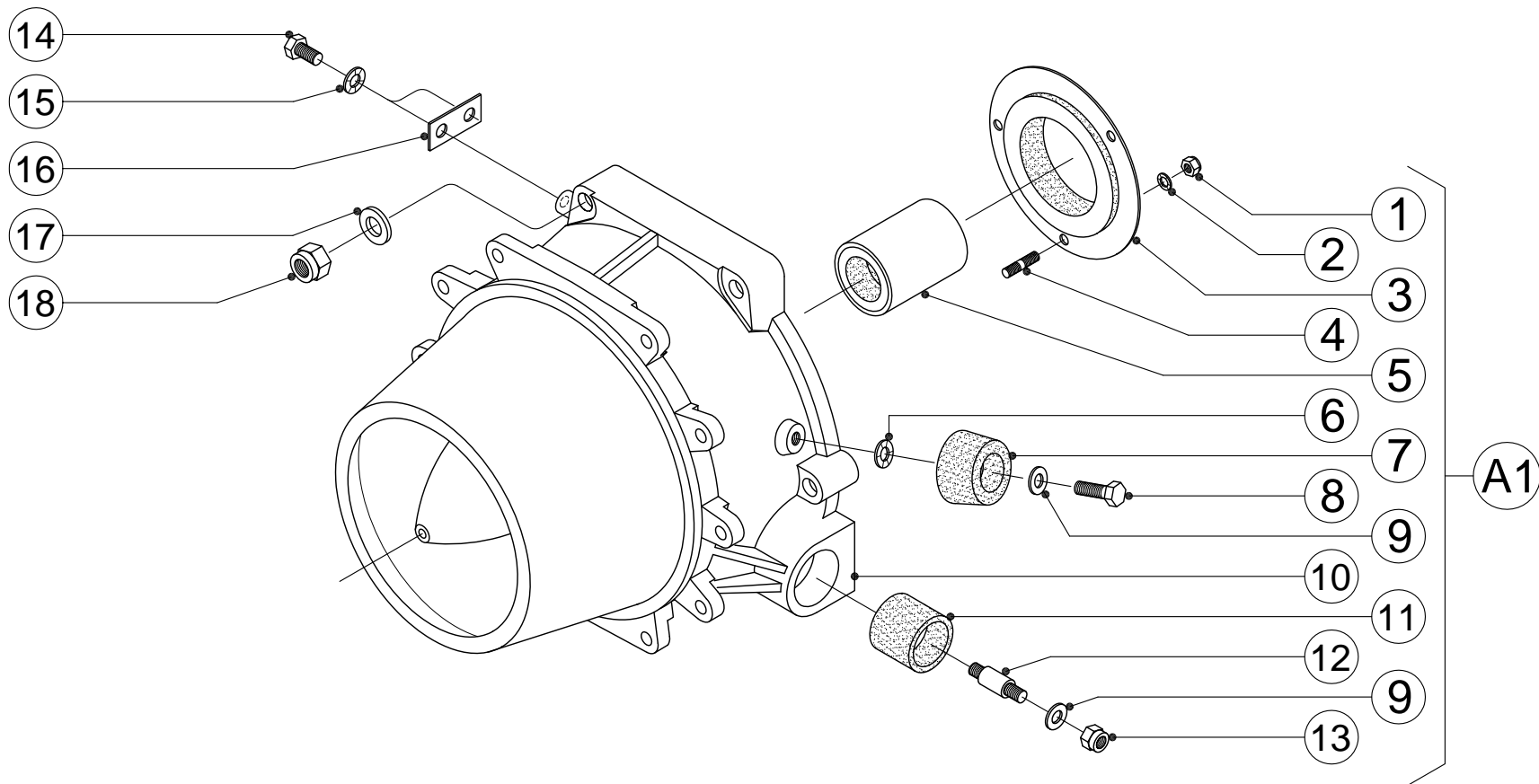
GROUP			ITEM	PART NUMBER	Q.TY	DESCRIPTION	Notes
A	B	C					
A1				592.65390	1	Reversing Bucket Assembly	
*			1	313.15060	6	Stud Bolt M6x30x12x9	
*			2	311.15152	2	Hexagonal-Head Screw M8x25 UNI 5739	
*			3	314.91084	2	Plain Washer 8,4x17x1,6 UNI 6592	
*			4	590.65139	2	Sacrificial Anode diam 45/25	
*			5	314.31075	2	Lock Washer with internal teeth 8,2 UNI 3704	
*			6	533.65375	1	Reversing Bucket	
*			7	580.65082	1	Castoldi Plate	
*			8	311.65011	4	Self-Tapping Cross Recessed Screw AB 3,5x13 UNI 6954	
			9	300.00013	2	Rod End Ball Joint M12	
			10	312.15120	2	Hexagonal Nut M12 UNI 5588	
			11	566.65080	1	Tie Rod	
			12	500.65087	1	Rubber Spring	
			13	341.20032	2	Spli Pin type A 3x30 UNI 1336	
			14	566.65086	2	Pin	
			15	552.65083	2	Insulating Washer	
			16	566.65084	2	Pin	
			17	566.65085	2	Protection Cover	
			18	314.91065	6	Plain Washer 6,5x12,5x1,2 UNI 6592	
			19	312.45060	6	Locknut M6 DIN 982	



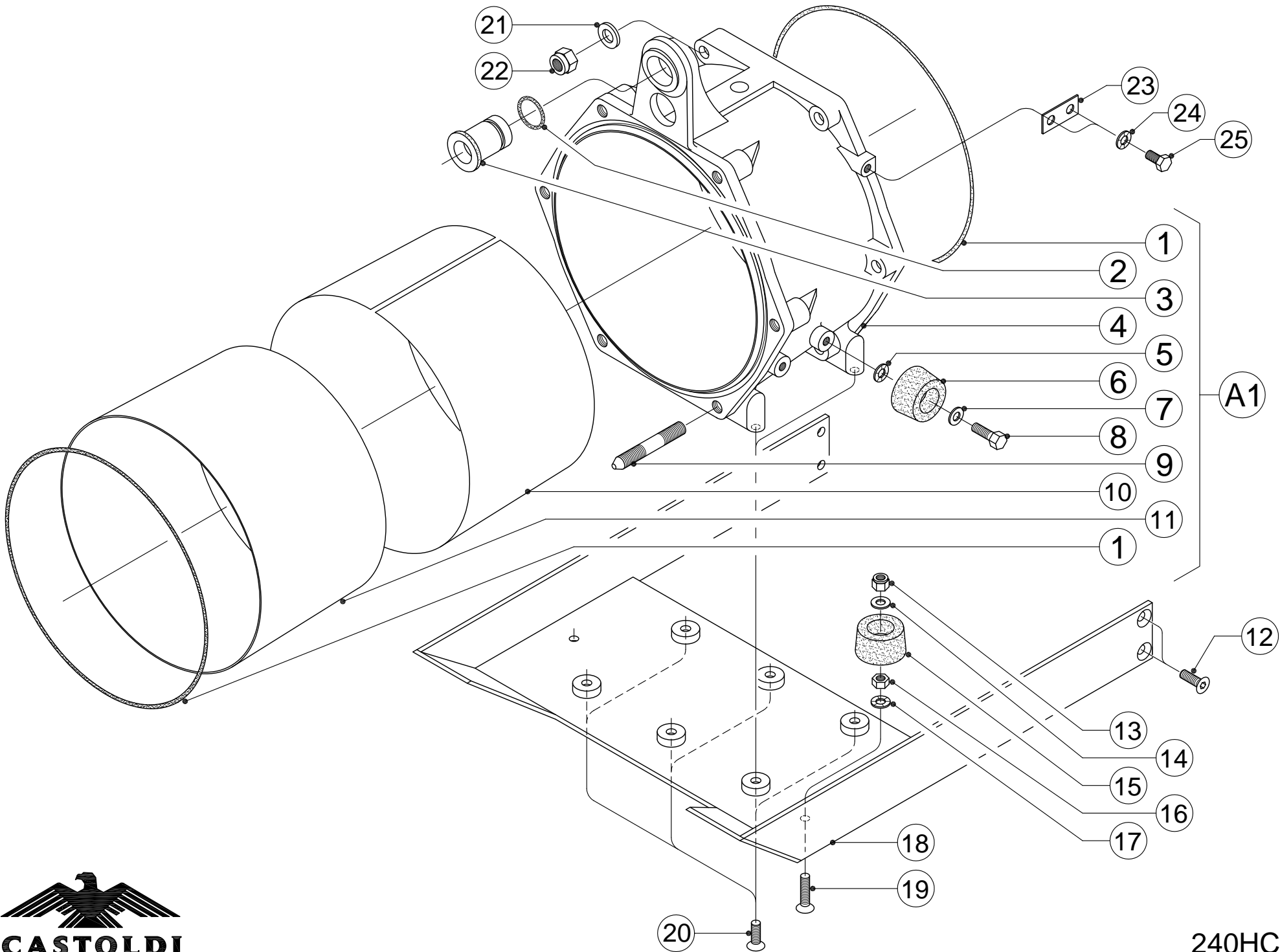
GROUP			ITEM	PART NUMBER	Q.TY	DESCRIPTION	Notes
A	B	C					
A1				592.65592	1	Steering Nozzle Assembly	
*			1	313.15883	2	Stud Bolt M10x42x12x25	
*			2	552.13127	1	Bush	
*			3	533.65593	1	Steering Nozzle	
*			4	552.65352	1	Bottom Steering Nozzle Bush	
*			5	314.31075	1	Lock Washer with internal teeth 8,2 UNI 3704	
*			6	300.01221	1	Rectangular Anode 43x32x23	
*			7	311.55085	1	Allen Screw M8x35 UNI 5931	
A2				592.65388	1	Steering Nozzle Protection Ball Assembly	
*			8	313.15070	10	Stud Bolt M8x38x14x20	
*			9	552.65045	1	Bush	
*			10	533.65369	1	Steering Nozzle Protection Ball	
A3				592.65391	1	Plate with Pin	
*			11	566.65373	1	Bottom Pin diam. 22x31	
*			12	566.65372	1	Bottom Pin Plate	
*			13	311.35885	1	Allen Screw M8x25 UNI 5933	
			14	312.45136	2	Locknut M10 UNI 7473	
			15	314.91105	2	Plain Washer 10,5x20x2 UNI 6592	
			16	541.65371	1	Steering Fork	
			17	552.65132	2	Shim sp. 0,35	
			18	314.31075	10	Lock Washer with internal teeth 8,2 UNI 3704	
			19	312.45082	12	Locknut M8 UNI 7473	
			20	314.91084	2	Plain Washer 8,4x17x1,6 UNI 6592	
			21	311.35885	2	Allen Screw M8x25 UNI 5933	



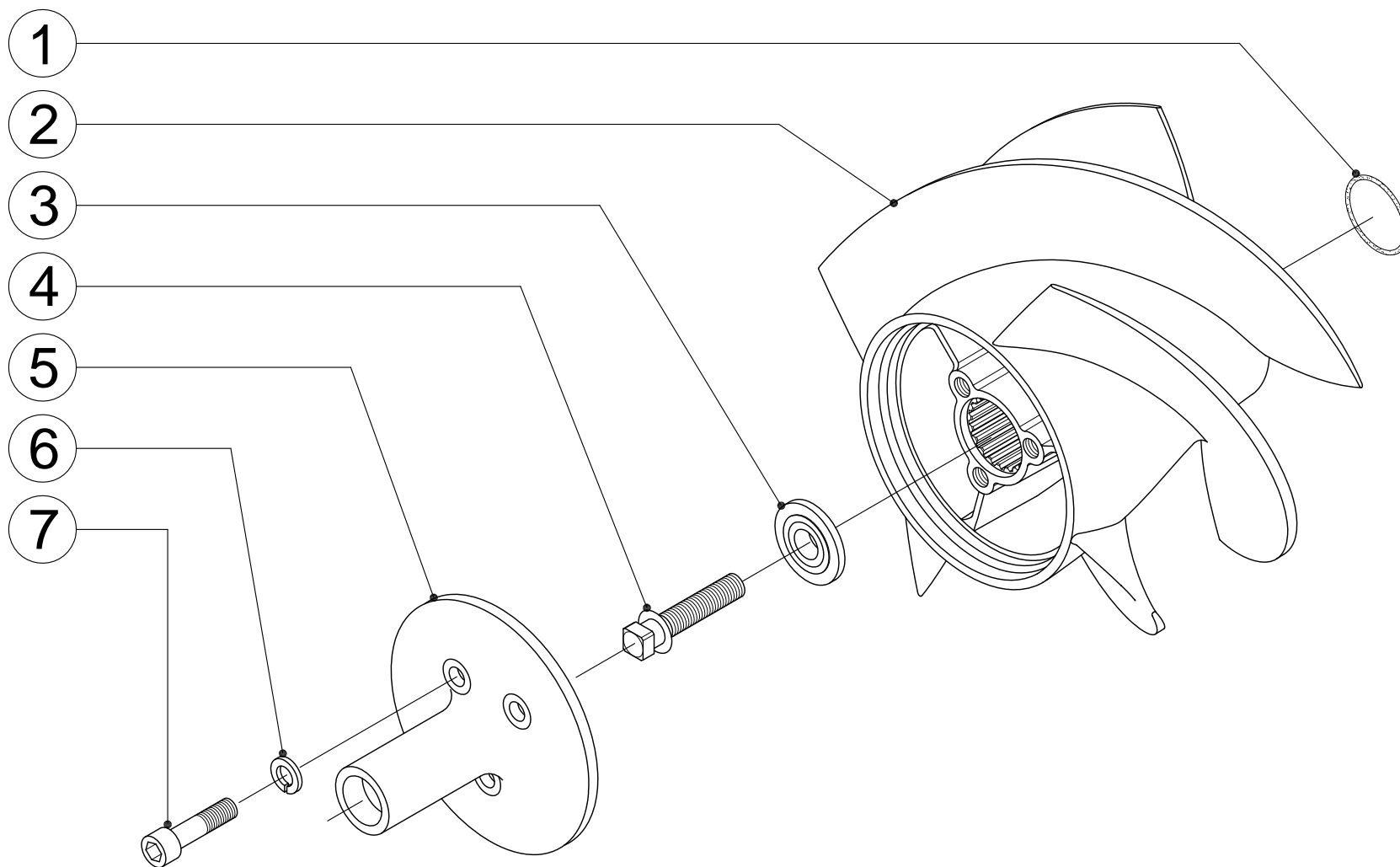
GROUP			ITEM	PART NUMBER	Q.TY	DESCRIPTION	Notes
A	B	C					
A1				592.65594	1	Nozzle Assembly	
*			1	312.45060	3	Locknut M6 DIN 982	
*			2	314.31066	3	Lock Washer with internal teeth 6,5 DIN 6798	
*			3	590.65070	1	Circular Anode	
*			4	313.15059	3	Stud Bolt M6x26x10x12	
*			5	370.00002	1	Impeller Dumper 35x50x64	
*			6	314.31075	2	Lock Washer with internal teeth 8,2 UNI 3704	
*			7	590.65139	2	Sacrificial Anode diam 45/25	
*			8	311.15152	2	Hexagon-Head Screw M8x25 UNI 5739	
*			9	314.91084	4	Plain Washer 8,4x17x1,6 UNI 6592	
*			10	533.65595	1	Nozzle	
*			11	552.65073	2	Bush	
*			12	566.65069	2	Pin	
*			13	312.45080	2	Torque-Type Hex. Nut M8 UNI 7474	
			14	311.15150	2	Hexagonal-Head M8x16 UNI 5739	
			15	314.31075	2	Lock Washer with internal teeth 8,2 UNI 3704	
			16	566.65056	1	Plate	
			17	314.91130	6	Plain Washer 13x24x2,5 UNI 6592	
			18	312.45105	6	Locknut M12 DIN 982	



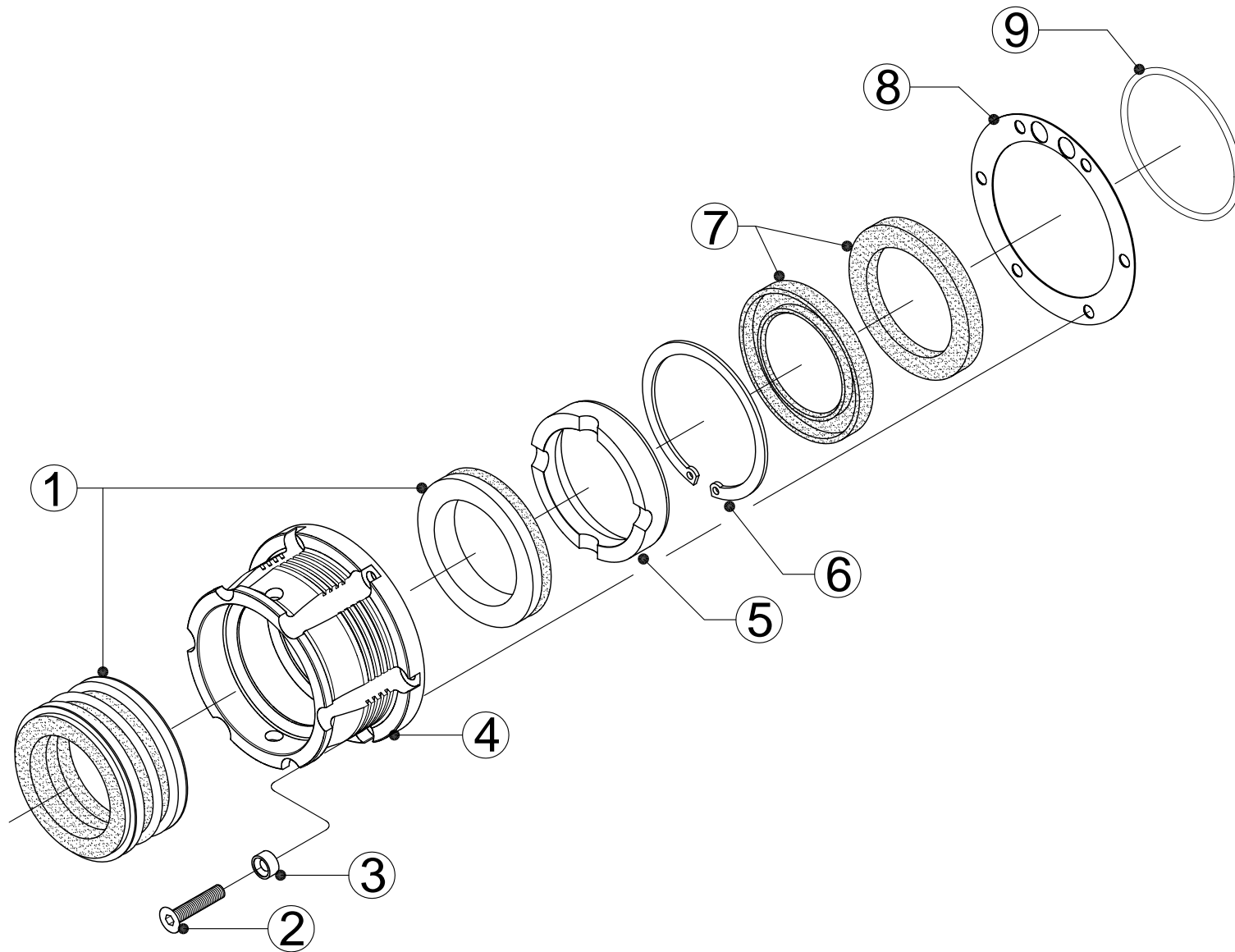
GROUP			ITEM	PART NUMBER	Q.TY	DESCRIPTION	Notes
A	B	C					
A1				592.65325	1	Impeller Housing with Stainless Steel Liner Assembly	
				592.65149	1	Impeller Housing with Titanium Liner Assembly	
*			1	381.19980	2	O-Ring 41000 diam. 253,6x3,56	ALL THESE COMPONENTS ARE COMMON FOR BOTH CODES (SEE A1)
*			2	381.12580	1	O-Ring 134 diam. 25,8x3,53	
*			3	552.65059	1	Bush	
*			4	533.65058	1	Spacer	
*			5	314.31075	4	Lock Washer with internal teeth 8,2 UNI 3704	
*			6	590.65139	4	Sacrificial Anode diam 45/25	
*			7	314.91084	4	Plain Washer 8,4x17x1,6 UNI 6592	
*			8	311.15152	4	Hexagonal-Head Screw M8x25 UNI 5739	
*			9	566.65066	6	Stud Bolt M12x84x26x34	
*			10	552.61318	1	Insulating Liner	
*			11	566.61317	1	Stainless Steel Liner	INCLUDED IN 592.65325
*				566.65286	1	Titanium Liner	INCLUDED IN 592.65149
			12	311.35076	4	Allen Screw M8x16 UNI 5933	
			13	312.45080	2	Torque-Type Hex. Nut M8 UNI 7474	
			14	314.91084	2	Plain Washer 8,4x17x1,6 UNI 6592	
			15	590.65139	2	Sacrificial Anode diam 45/25	
			16	312.15080	2	Hexagonal Nut M8 UNI 5588	
			17	314.31075	2	Lock Washer with internal teeth 8,2 UNI 3704	
			18	590.65061	1	Flap Assembly	
			19	311.35077	2	Flat-Head Screw M8x35 UNI 5933	
			20	311.35885	10	Allen Screw M8x25 UNI 5933	
			21	314.91130	6	Plain Washer 13x24x2,5 UNI 6592	
			22	312.45104	6	Torque-Type Hex. Nut M12 UNI 7474	
			23	566.65056	1	Plate	
			24	314.31075	2	Lock Washer with internal teeth 8,2 UNI 3704	
			25	311.15150	2	Hexagonal-Head M8x16 UNI 5739	



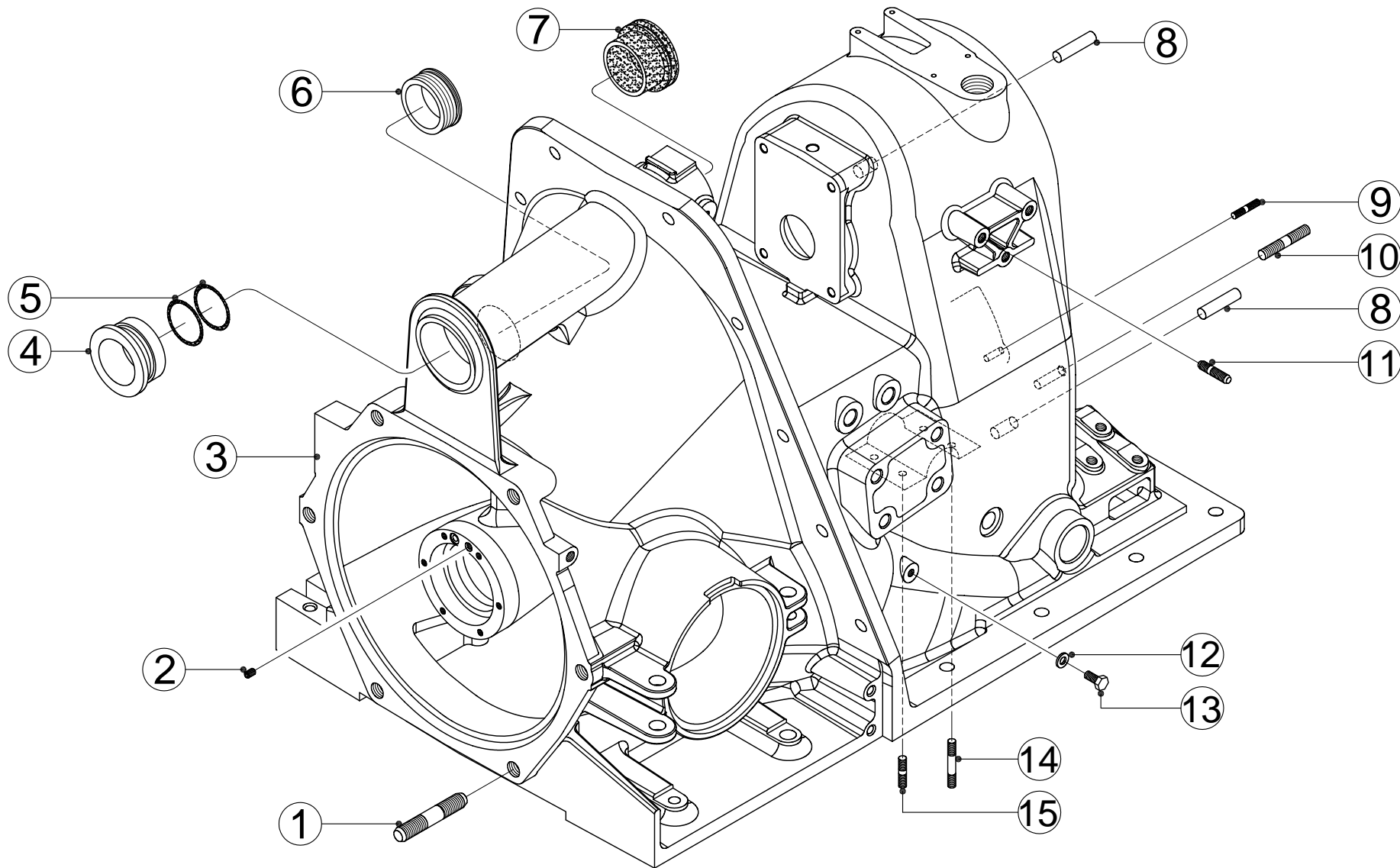
GROUP			ITEM	PART NUMBER	Q.TY	DESCRIPTION	Notes
A	B	C					
A1				592.65596	1	Impeller Assembly	
*			1	381.14086	1	O-Ring 4162 diam. 40,86x3,53	
*			2	515.65597	1	Impeller	
*			3	566.61019	1	Special Washer	
*			4	566.15419	1	Impeller Locking Screw	
*			5	515.65065	1	Impeller Hub	
*			6	314.91082	3	Spring Washer 10,5 UNI 1751	
*			7	311.55089	3	Allen Screw M10x40 UNI 5931	



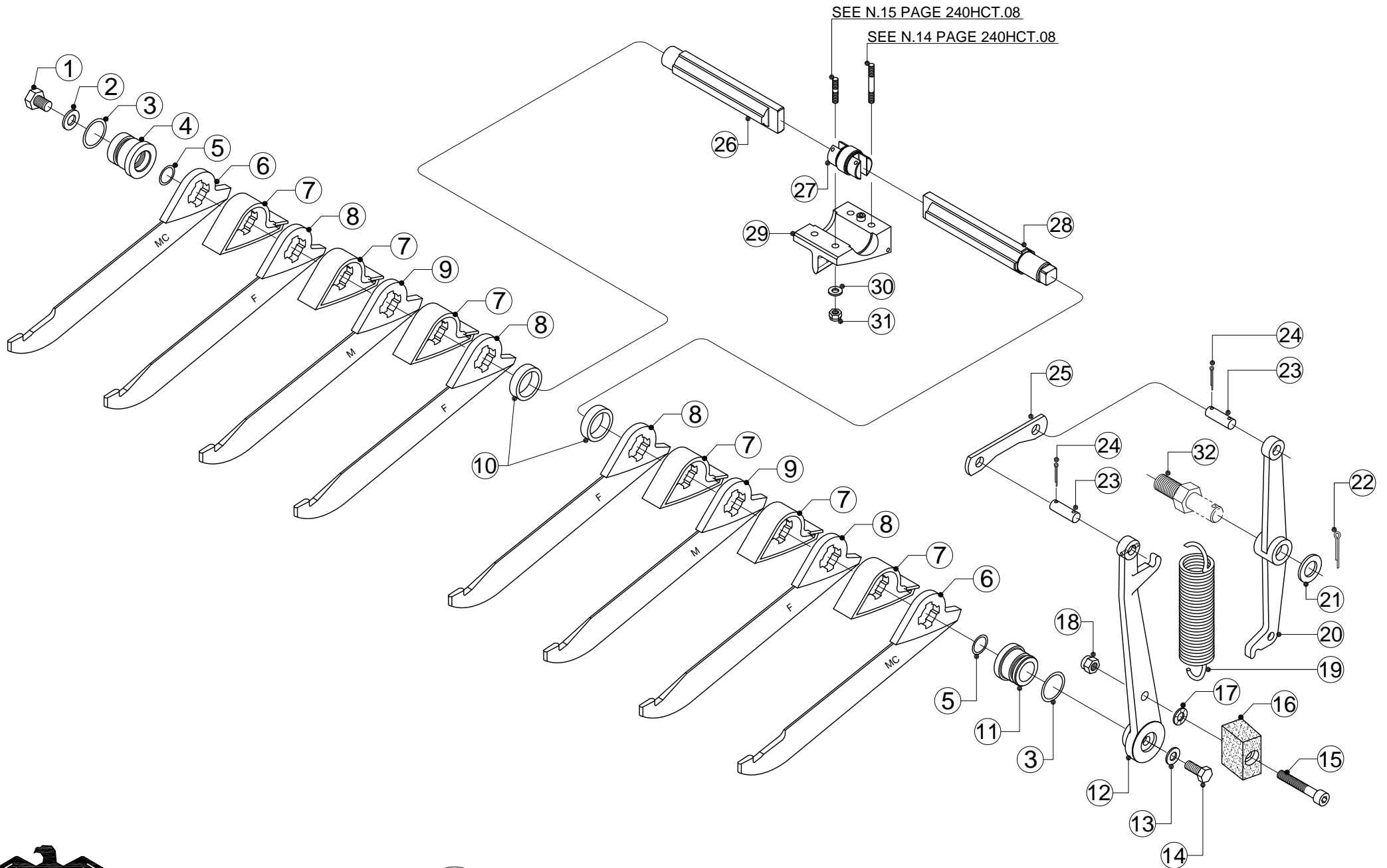
GROUP			ITEM	PART NUMBER	Q.TY	DESCRIPTION	Notes
A	B	C					
A1				592.65498	1	Impeller Shaft Seal	
*			1	384.15500	1	Burgmann Seal EMG1/40	
*			2	311.35042	6	Flat-Head Screw M5x25 UNI 6109	
*			3	550.67249	6	Special Washer	
*			4	572.65499	1	Mechanical Seal Flange	
*			5	572.65497	1	Spacer Ring	
*			6	351.11389	1	Inner Seeger 58 UNI 7437	
*			7	382.14004	2	Lip Seal 40x58x7	
*			8	573.65495	1	Mechanical Seal Gasket	
*			9	381.10504	1	O-Ring 3243 diam.61,6x2,62	



GROUP			ITEM	PART NUMBER	Q.TY	DESCRIPTION	Notes
A	B	C					
A1				592.65487	1	Jet Unit Casing Assembly	
*			1	313.15914	6	Stud Bolt M12x70x26x26	
*			2	311.05081	1	Grub Screw M6x10 with Cup Point UNI 5929	
*			3	533.65488	1	Jet Unit Casing	
*			4	552.65013	1	External Bush	
*			5	381.14569	2	O-Ring 3181 diam.45,69x2,62	
*			6	566.65401	1	Insert 1" 1/2 GAS	
*			7	592.65252	1	Inner Bush	
*			8	561.15031	2	Pin 9x38	
*			9	313.15050	4	Stud Bolt M5x26x10x12	
*			10	313.15072	11	Stud Bolt M8x48x20x20	
*			11	566.63550	3	Stud Bolt M8x36x10x16	
*			12	314.00151	1	Plain Washer d.6,4x12,5 NYLON	
*			13	311.15090	1	Hexagonal-Head Screw M6x12 UNI 5739	
*			14	313.15063	2	Stud Bolt M6x38x12x12	
*			15	566.65582	2	Stud Bolt M6x24x10x10	



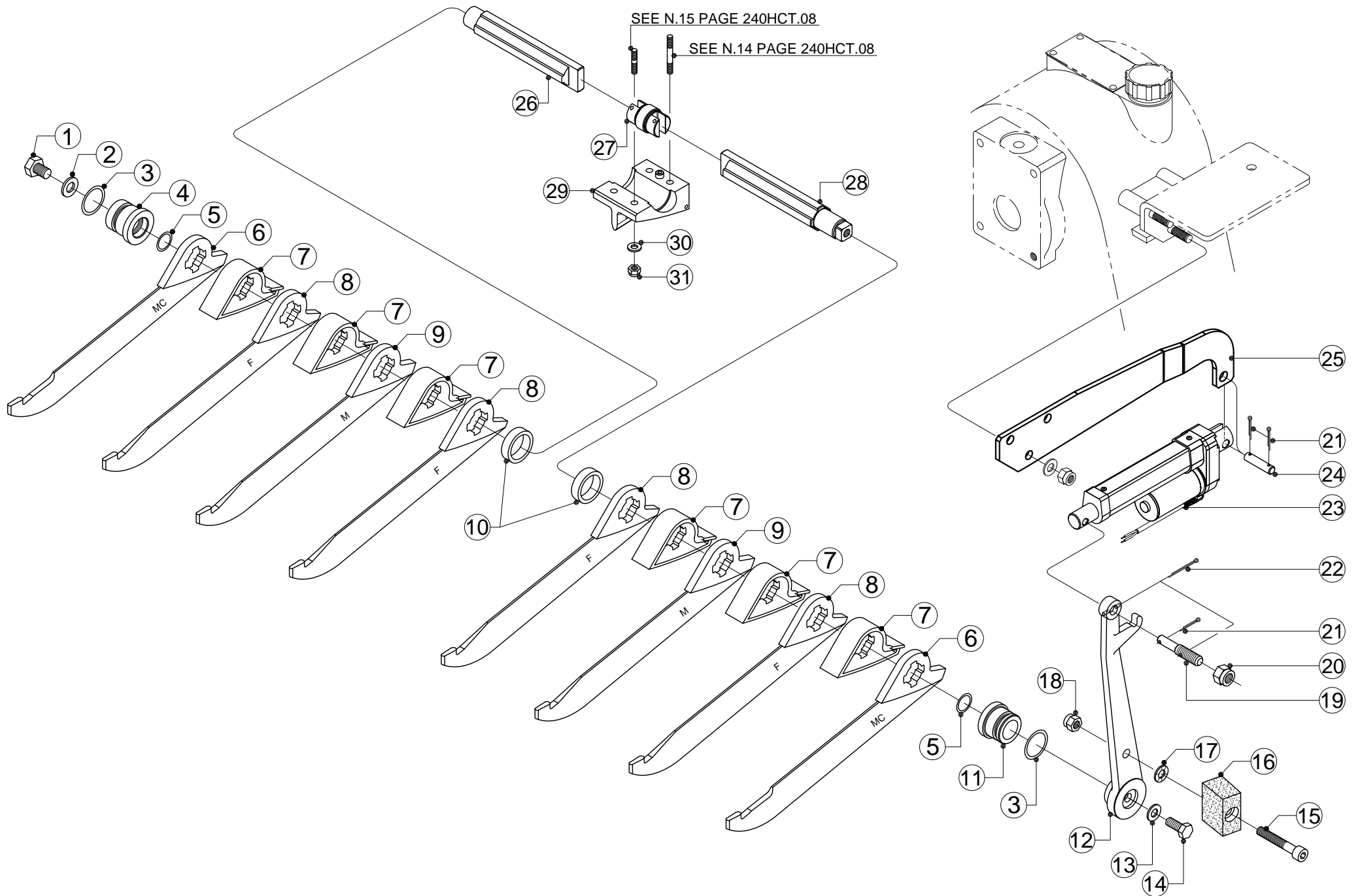
GROUP			ITEM	PART NUMBER	Q.TY	DESCRIPTION	Notes
A	B	C					
A1				592.65599	1	Movable Grid Standard Version	
*			1	311.15210	1	Hexagonal-Head Screw M10x14 UNI 5739	
*			2	314.91105	1	Plain Washer 10,5x20x2 UNI 6592	
*			3	381.12340	2	O-Ring 4093 diam. 23,40x3,53	
*			4	552.67101	1	Grid Threaded Bush	
*			5	381.12022	2	O-Ring 4081 diam. 20,22x3,53	
*			6	530.65007	2	Short Mobile Bar	
*			7	552.65008	6	Bar Spacer	
*			8	530.65005	4	Fixed Bar	
*			9	530.65006	2	Mobile Bar	
*			10	552.67008	2	Grid Central Bush	
*			11	552.67100	1	Grid Open Bush	
*			12	541.65011	1	Second Grid Control Lever	
*			13	314.91084	1	Plain Washer 8,4x17x1,6 UNI 6592	
*			14	311.15151	1	Hexagon-Head Screw M8x20 UNI 5739	
*			15	311.55083	1	Allen Screw M8x50 UNI 5931	
*			16	300.01221	1	Rectangular Anode 43x32x23	
*			17	314.31075	1	Lock Washer with internal teeth 8,2 UNI 3704	
*			18	312.45082	1	Locknut M8 UNI 7473	
*			19	580.15272	1	Grid Spring	
*			20	541.15268	1	First Grid Control Lever	
*			21	314.94170	1	Plain Washer 16 UNI 1750	
*			22	341.20036	1	Split Pin Type A 4x25 UNI 1336	
*			23	566.15120	2	Grid Pin	
*			24	341.20031	4	Split Pin Type A 3x18 UNI 1336	
*			25	561.15271	2	Plate	
*			26	566.65543	1	Slave Grid Half-Shaft	
*			27	592.65544	1	Grid Driver Assembly	
*			28	566.65542	1	Drive Grid Half-Shaft	
*			29	592.65546	1	Grid Block Assembly	
*			30	314.91065	4	Plain Washer 6,5x12,5x1,2 UNI 6592	
*			31	312.15060	4	Nut M6 UNI 5588	
			32	566.65012	1	Grid Pin	MUST BE ORDERED APART



A1 592.65599 - GRIGLIA MOBILE
 592.65599 - MOVABLE GRID

240HCT.09/00

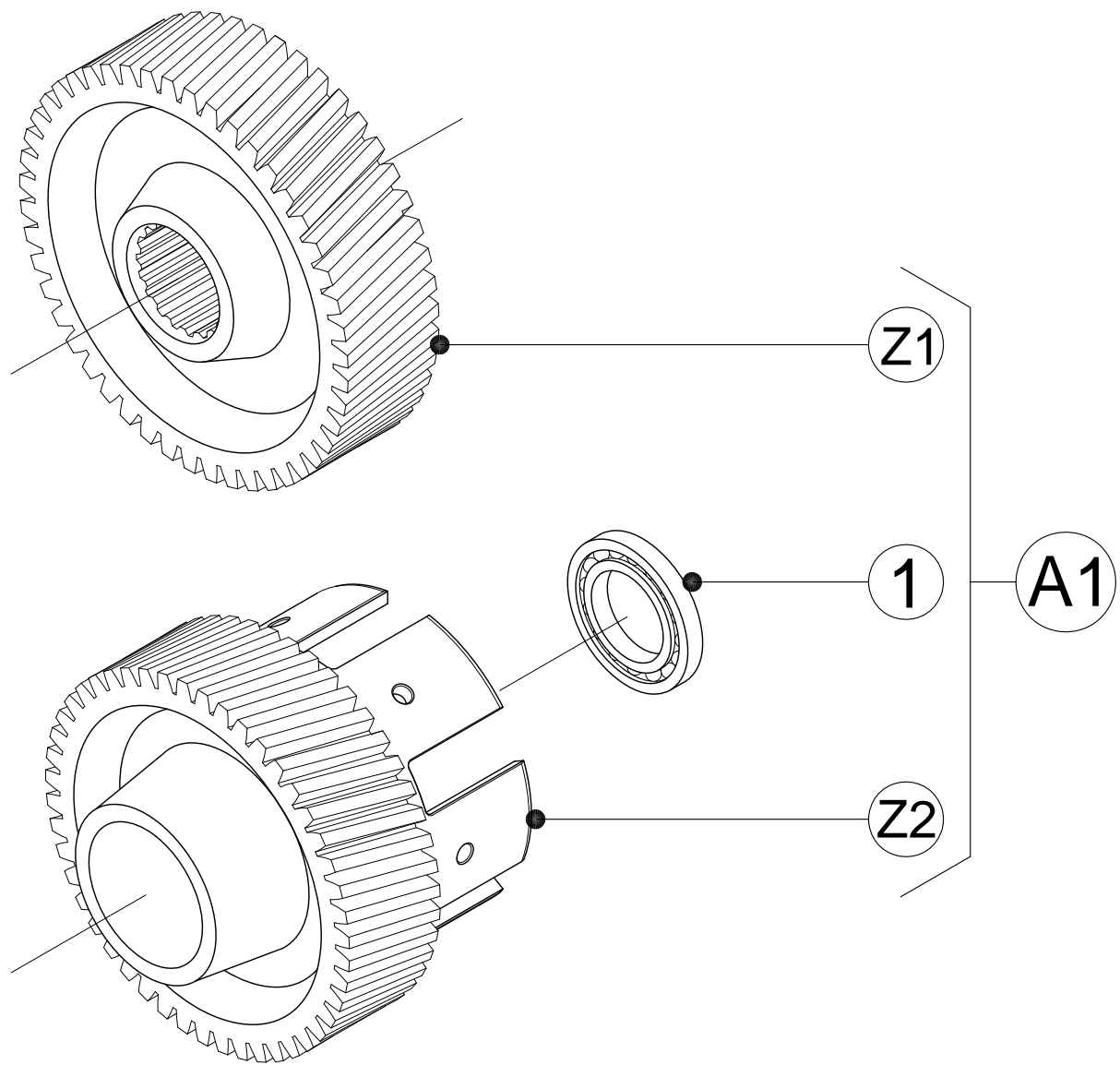
GROUP			ITEM	PART NUMBER	Q.TY	DESCRIPTION	Notes
A	B	C					
A1				592.65609	1	Movable Grid Clear Duct Version	
*			1	311.15210	1	Hexagonal-Head Screw M10x14 UNI 5739	
*			2	314.91105	1	Plain Washer 10,5x20x2 UNI 6592	
*			3	381.12340	2	O-Ring 4093 diam. 23,40x3,53	
*			4	552.67101	1	Grid Threaded Bush	
*			5	381.12022	2	O-Ring 4081 diam. 20,22x3,53	
*			6	530.65007	2	Short Mobile Bar	
*			7	552.65008	6	Bar Spacer	
*			8	530.65005	4	Fixed Bar	
*			9	530.65006	2	Mobile Bar	
*			10	552.67008	2	Grid Central Bush	
*			11	552.67100	1	Grid Open Bush	
*			12	541.65011	1	Second Grid Control Lever	
*			13	314.91084	1	Plain Washer 8,4x17x1,6 UNI 6592	
*			14	311.15151	1	Hexagon-Head Screw M8x20 UNI 5739	
*			15	311.55083	1	Allen Screw M8x50 UNI 5931	
*			16	300.01221	1	Rectangular Anode 43x32x23	
*			17	314.31075	1	Lock Washer with internal teeth 8,2 UNI 3704	
*			18	312.45082	1	Locknut M8 UNI 7473	
*			19	566.65555	1	Actuator Pin	
*			20	312.45136	1	Locknut M10 UNI 7473	
*			21	341.20031	3	Split Pin Type A 3x18 UNI 1336	
*			22	341.20032	1	Split Pin Type A 3x30 UNI 1336	
*			23	500.00728	1	Actuator	
*			24	566.17140	1	Pin 10x42	
*			25	566.65554	1	Actuator Support	
*			26	566.65543	1	Slave Grid Half-Shaft	
*			27	592.65544	1	Grid Driver Assembly	
*			28	566.65542	1	Drive Grid Half-Shaft	
*			29	592.65546	1	Grid Block Assembly	
*			30	314.91065	4	Plain Washer 6,5x12,5x1,2 UNI 6592	
*			31	312.45060	4	Locknut M6 DIN 982	



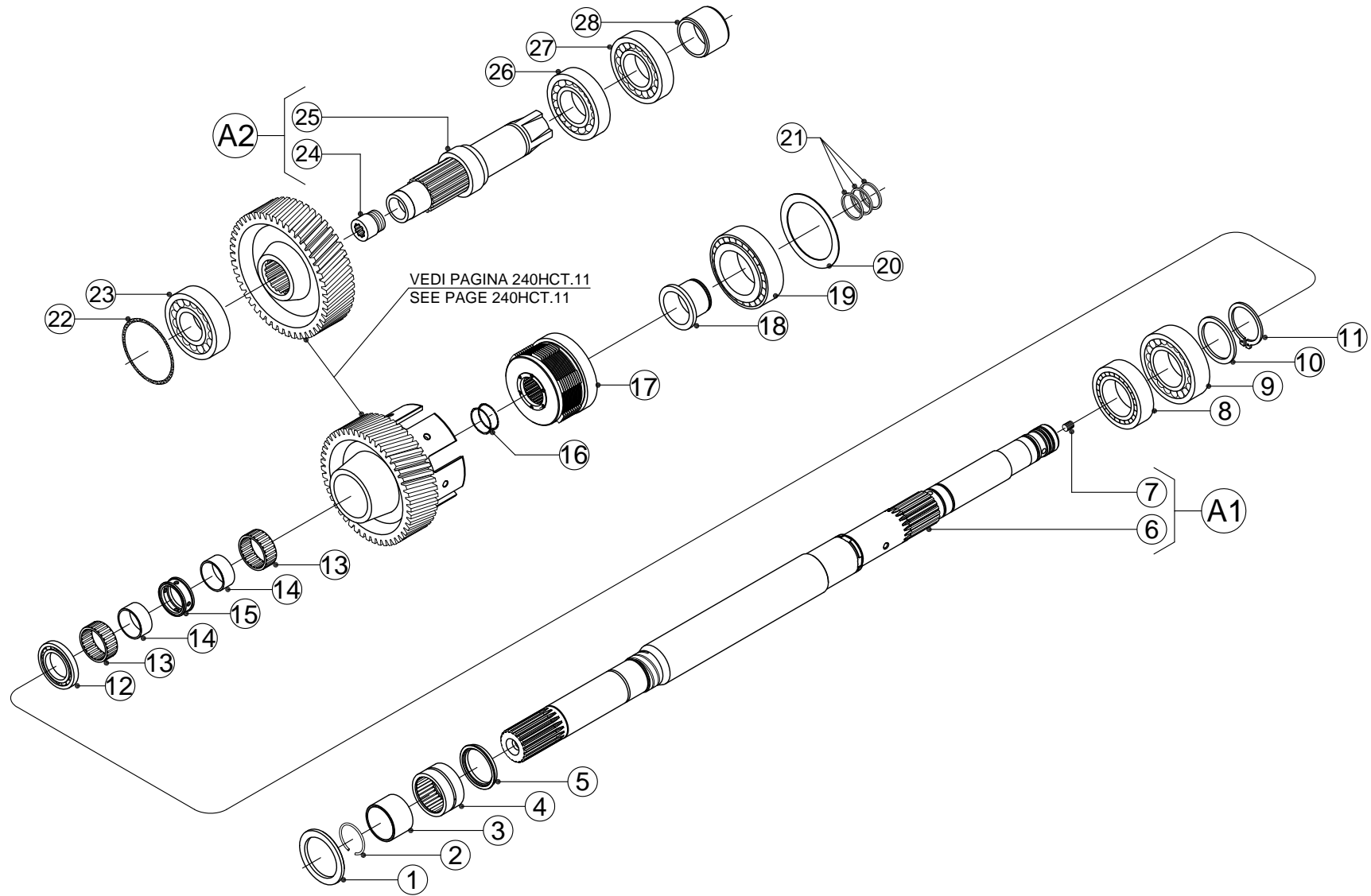
A1 592.65609 - GRIGLIA MOBILE VERSIONE CLEAR DUCT
 592.65609 - MOVABLE GRID CLEAR DUCT VERSION

240HCT.10/00

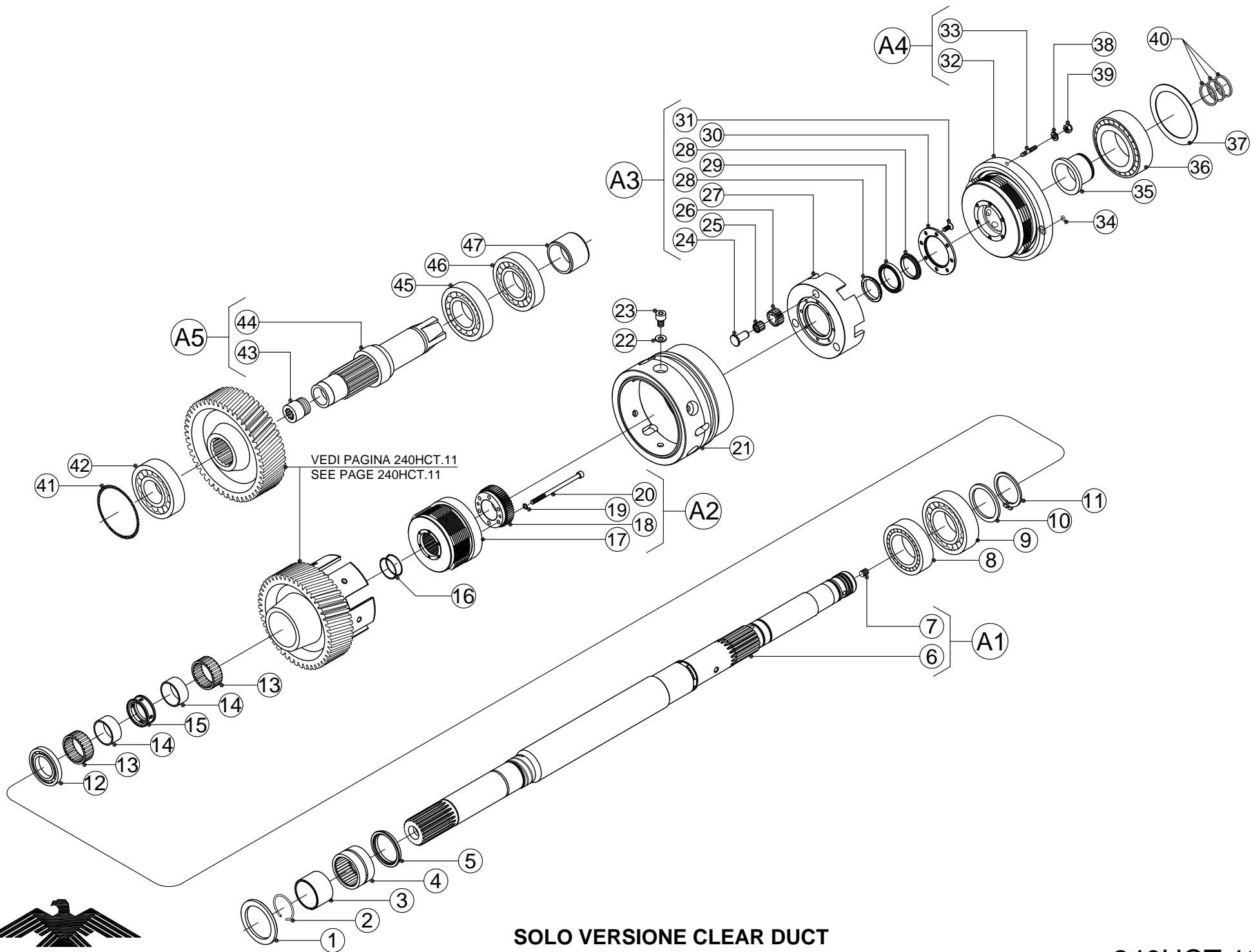
GROUP			ITEM	PART NUMBER	Q.TY	DESCRIPTION	Z1 - Z2		Notes
A	B	C					Z1	Z2	
A1				592.65521	1	Gears	51	47	
				592.65522	1	Gears	50	48	
				592.65523	1	Gears	49	49	
				592.65524	1	Gears	48	50	
				592.65525	1	Gears	47	51	
				592.65526	1	Gears	46	52	
				592.65527	1	Gears	45	53	
				592.65528	1	Gears	44	54	
				592.65529	1	Gears	43	55	
				592.65530	1	Gears	42	56	
				592.65531	1	Gears	41	57	
				592.65532	1	Gears	40	58	
				592.65533	1	Gears	39	59	
				592.65534	1	Gears	38	60	
				592.65535	1	Gears	37	61	
				592.65536	1	Gears	36	62	
			592.65537	1	Gears	35	63		
			592.65538	1	Gears	34	64		
*			1	371.11257	1	Ball Bearing 40x68x9			



GROUP			ITEM	PART NUMBER	Q.TY	DESCRIPTION	Notes
A	B	C					
A1				592.65489	1	Impeller Shaft Assembly for Standard Version	
*			6	566.65540	1	Impeller Shaft for Standard Version	
*			7	311.05085	1	Grub Screw M8x10 UNI 5923	
A2				592.65146	1	Drive Shaft Assembly	
*			24	564.65039	1	Oil Pump Driver	
*			25	590.65195	1	Drive Shaft	
			1	566.65496	1	Shim	
			2	351.12002	1	Seeger A40 UNI 7433	
			3	373.11607	1	Inner Reing Type IR 4030 diam.40x45x30	
			4	373.11311	1	Straight Roller Bearing diam.45x55x30	
			5	565.65503	1	Ring	
			8	372.21356	1	Taper Roller Bearing 40x75x20	
			9	372.11490	1	Straight Roller Bearing diam.45x85x23	
			10	379.30005	1	Washer diam.45x56 DIN 988	
			11	351.21045	1	External Seeger 45 UNI 7436	
			12	371.11257	1	Ball Bearing 40x68x9	
			13	373.11332	2	Needle Bearing Cage type K 45x53x20	
			14	373.11606	2	Inner Ring diam.40x45x20,5	
			15	561.65516	1	Spacer	
			16	381.12830	2	O-Ring 2112 diam.28,3x1,78	
			17	300.00120	1	Hydraulic Clutch	
			18	565.65517	1	Thrust Bearing Bush	
			19	372.21336	1	Taper Roller Bearing 40x90x25,25	
			20	379.30016	1	Shim	
			21	300.00121	3	Metal Sealing Ring	
			22	580.65199	1	Gasket	
			23	372.11465	1	Straight Roller Bearing diam.35x80x21	
			26	371.41401	1	Ball Bearing diam.40x80x18	
			27	372.11850	1	Straight Roller Bearing diam.40x80x18	
			28	566.65040	1	Spacer	

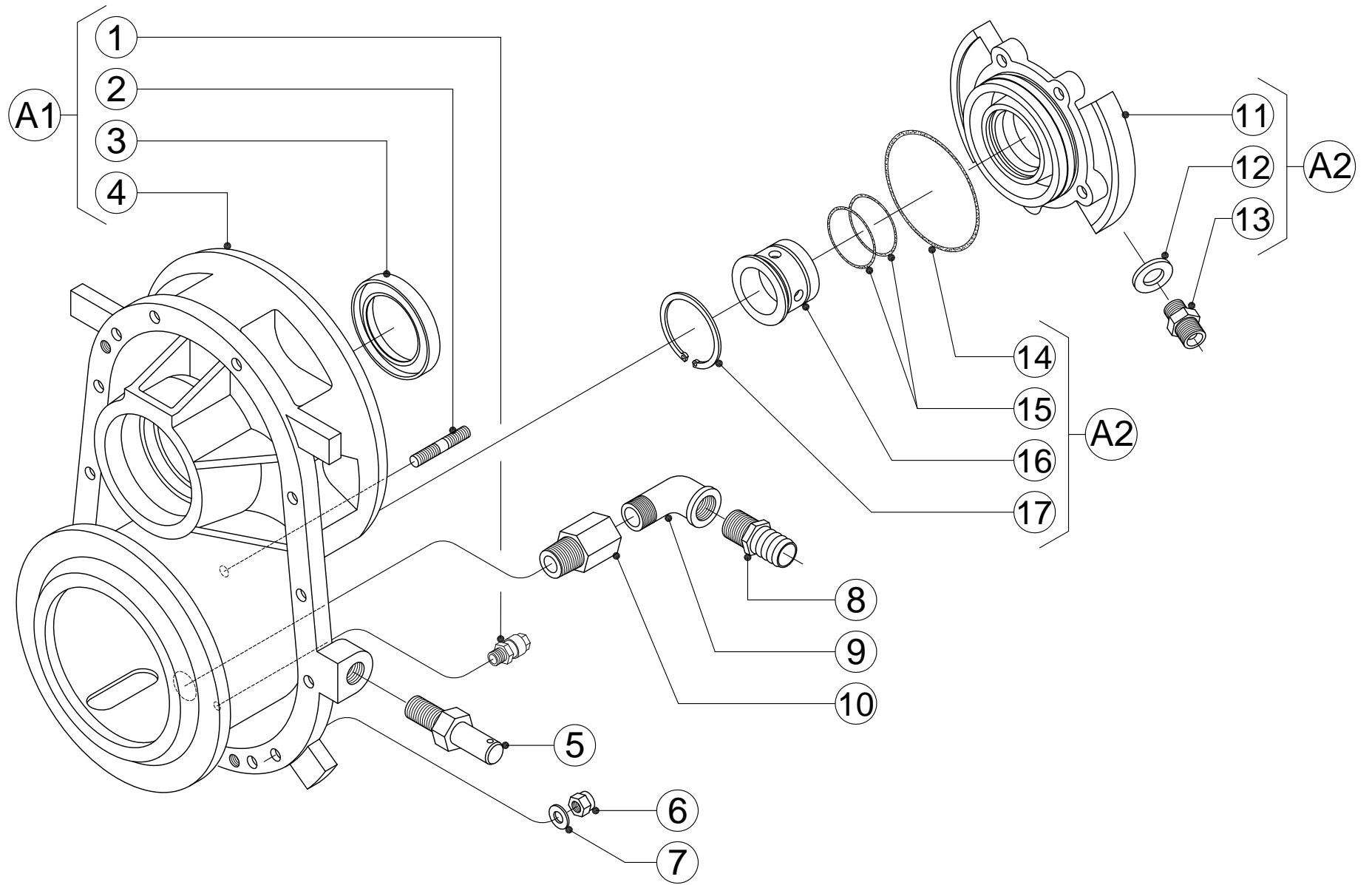


GROUP			ITEM	PART NUMBER	Q.TY	DESCRIPTION	Notes
A	B	C					
A1				592.65519	1	Impeller Shaft Assembly for Clear Duct Version	
*			6	566.65541	1	Impeller Shaft for Clear Duct	
*			7	311.05085	1	Grub Screw M8x10 UNI 5923	
A2				500.65504	1	Hydraulic Clutch Assembly for Clear Duct Version	
*			17	300.00120	1	Hydraulic Clutch	
*			18	565.65508	1	Sun Gear Z=55	
*			19	314.21209	6	Schnorr Washer 6,4x10x0,7 UNI 3543	
*			20	311.55043	6	Allen Screw M6x90 UNI 5931	
A3				592.65514	1	Planet Bell Assembly	
*			24	565.65510	3	Planet Pin	
*			25	373.11333	3	Needle Bearing Cage type K 12x16x13	
*			26	565.65509	3	Planet Gear Z=20	
*			27	565.65513	1	Planet Bell	
*			28	565.65511	2	Inner Bush	
*			29	371.11258	1	Ball Bearing 40x52x7	
*			30	565.65512	1	Bearing Locker Ring	
*			31	311.32510	8	Flathead Screw M5x10 UNI 5933	
A4				500.65505	1	Hydraulic Brake Assembly	
*			32	300.04613	1	Hydraulic Brake	
*			33	566.65518	8	Stud Bolt M6x38x9x15	
A5				592.65146	1	Drive Shaft Assembly	
*			43	564.65039	1	Oil Pump Driver	
*			44	590.65195	1	Drive Shaft	
			1	566.65496	1	Shim	
			2	351.12002	1	Seeger A40 UNI 7433	
			3	373.11607	1	Inner Reing Type IR 4030 diam.40x45x30	
			4	373.11311	1	Straight Roller Bearing diam.45x55x30	
			5	565.65503	1	Ring	
			8	372.21356	1	Taper Roller Bearing 40x75x20	
			9	372.11490	1	Straight Roller Bearing diam.45x85x23	
			10	379.30005	1	Washer diam.45x56 DIN 988	
			11	351.21045	1	External Seeger 45 UNI 7436	
			12	371.11257	1	Ball Bearing 40x68x9	
			13	373.11332	2	Needle Bearing Cage type K 45x53x20	
			14	373.11606	2	Inner Ring diam.40x45x20,5	
			15	561.65516	1	Spacer	
			16	381.12830	2	O-Ring 2112 diam.28,3x1,78	
			21	565.65515	1	Clutch Belt and Ring Gear Z=95	
			22	314.21260	6	Schnorr Spring Washer 8 Fst DIN 6796	
			23	311.55078	6	Allen Screw M8x12 UNI 5931	
			34	381.10771	1	O-Ring 3024 diam. 6,02x2,62	
			35	565.65517	1	Thrust Bearing Bush	
			36	372.21336	1	Taper Roller Bearing 40x90x25,25	
			37	379.30016	1	Shim	
			38	314.91065	8	Plain Washer 6,4 UNI 6592	
			39	312.45060	8	Locknut M6 DIN 982	
			40	300.00121	3	Metal Sealing Ring	
			41	580.65199	1	Gasket	
			42	372.11465	1	Straight Roller Bearing diam.35x80x21	
			45	371.41401	1	Ball Bearing diam.40x80x18	
			46	372.11850	1	Straight Roller Bearing diam.40x80x18	
			47	566.65040	1	Spacer	

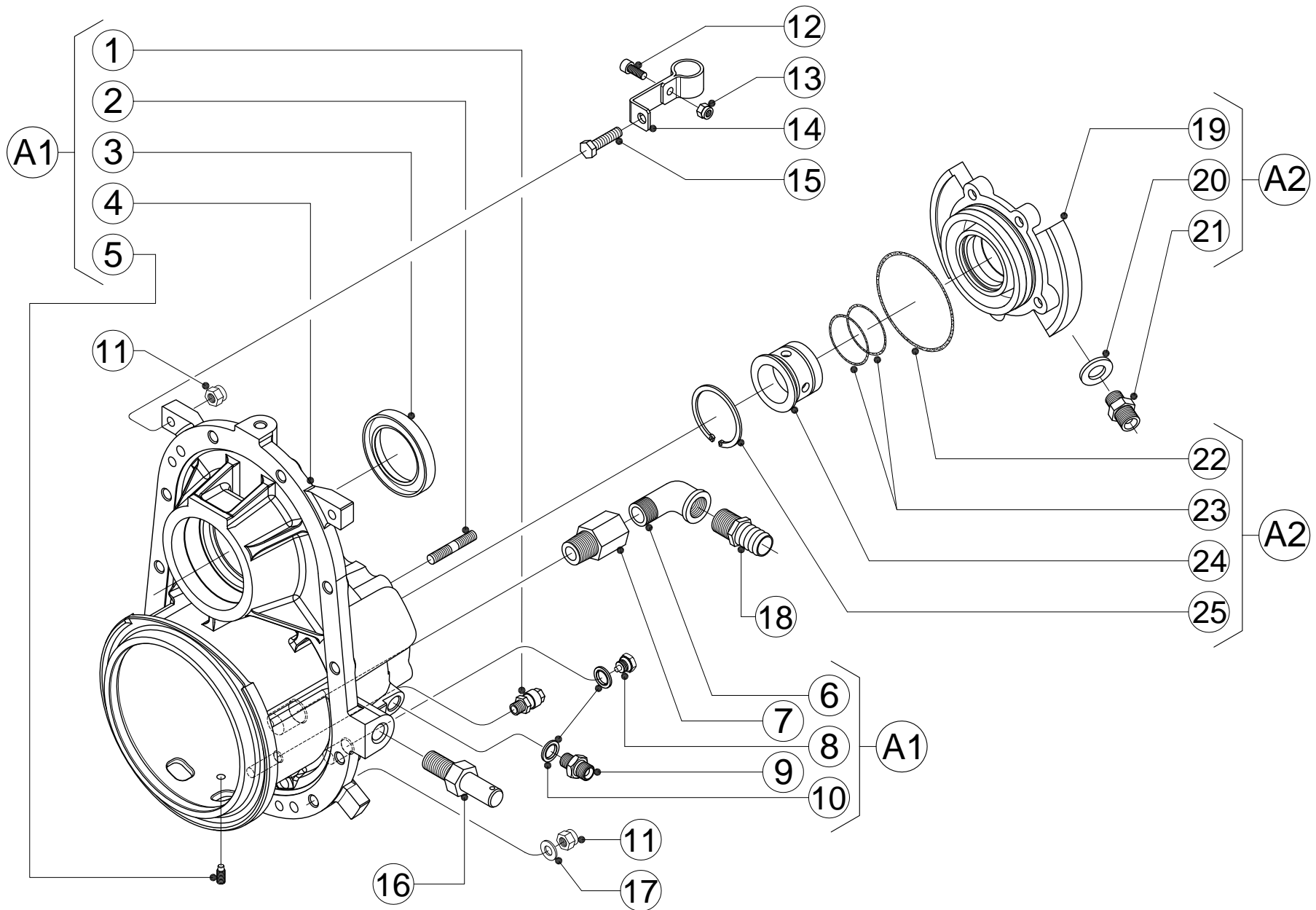


**SOLO VERSIONE CLEAR DUCT
CLEAR DUCT VERSION ONLY**

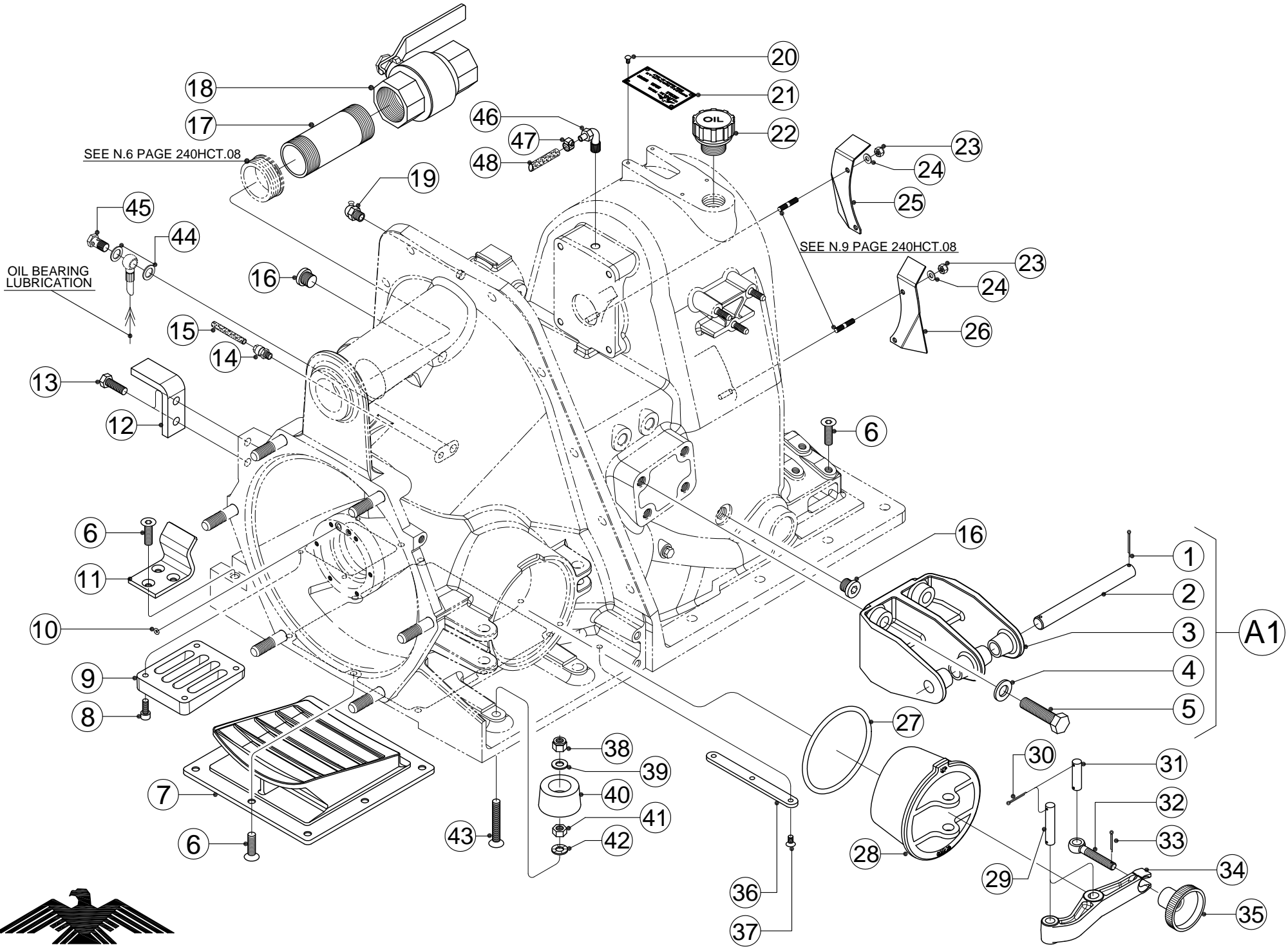
GROUP			ITEM	PART NUMBER	Q.TY	DESCRIPTION	Notes
A	B	C					
A1				592.65147	1	Gear Box Cover Assembly for Standard Version	
*			1	300.00818	1	Hose Fitting 1/8" GAS	
*			2	313.15072	5	Stud Bolt M8x48x20x20	
*			3	382.14520	1	Lip Seal 40x72x10	
*			4	533.65037	1	Gear Box Cover for Standard Version	
A2				592.65148	1	Clutch Collector Cover Assembly	
*			11	533.65041	1	Clutch Collector Cover	
*			12	380.00335	2	Bonded Gasket 14	
*			13	300.00214	2	Reduction Nipple M16x1,5 - M14x1,5	
*			14	381.18300	1	O-Ring 3325 diam.82,22x2,62	
*			15	381.14100	2	O-Ring 2162 diam.41x1,78	
*			16	564.65042	1	Bush	
*			17	351.11385	1	Inner Seeger 50 UNI 7437	
			5	566.65012	1	Grid Pin	
			6	312.45082	11	Locknut M8 UNI 7473	
			7	314.91084	11	Plain Washer 8,4x17x1,6 UNI 6592	
			8	300.00187	1	Nipple M 1/2" GAS	
			9	300.00186	1	Elbow 90° M/F 1/2" GAS	
			10	566.65106	1	Extension M/F 1/2" GAS	



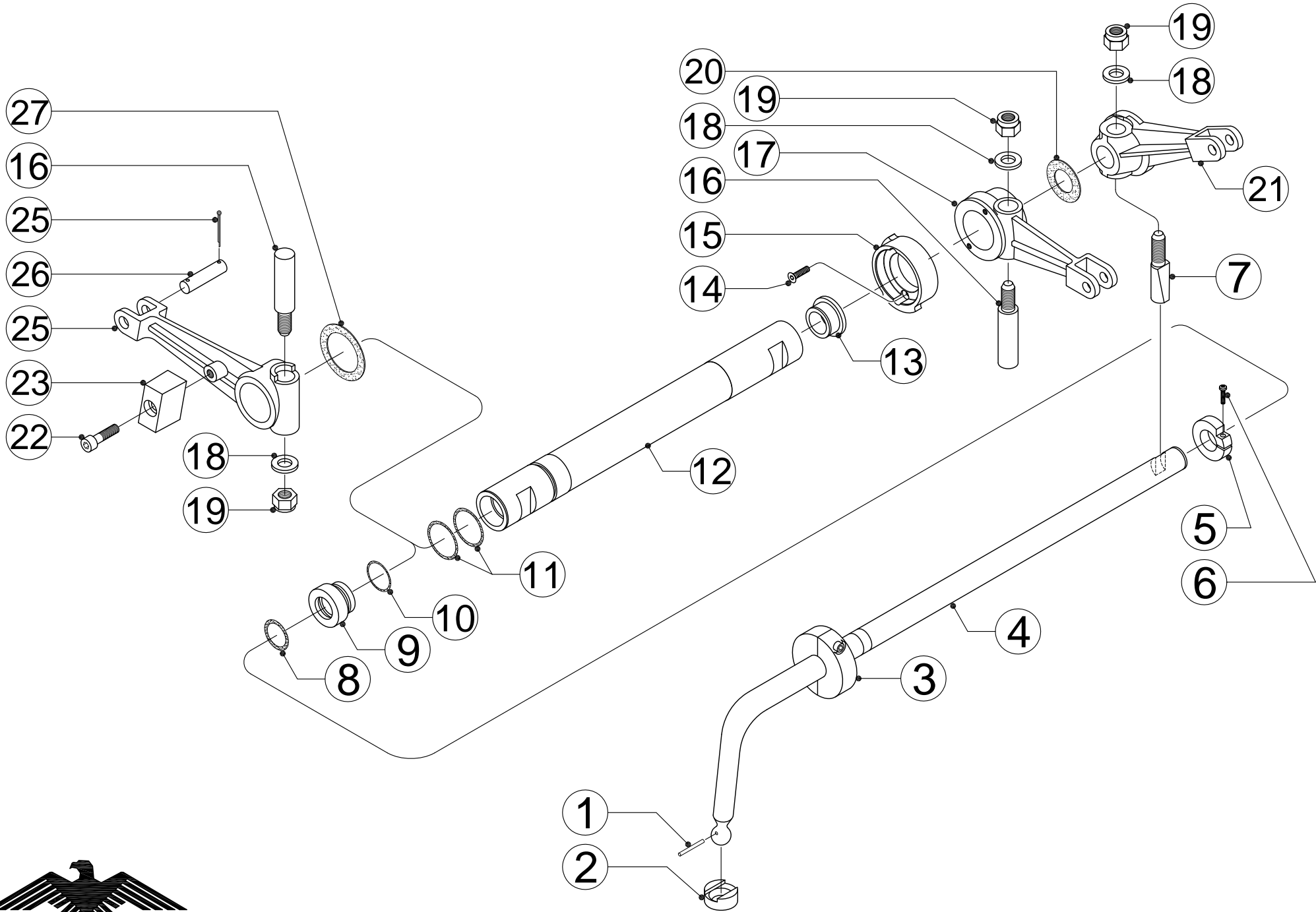
GROUP			ITEM	PART NUMBER	Q.TY	DESCRIPTION	Notes
A	B	C					
A1				592.65500	1	Gear Box Cover Assembly for Clear Duct Version	
*			1	300.00818	1	Hose Fitting 1/8" GAS	
*			2	313.15072	5	Stud Bolt M8x48x20x20	
*			3	382.14520	1	Lip Seal 40x72x10	
*			4	533.65501	1	Gear Box Cover for Clear Duct Version	
*			5	552.66213	1	Special Plastic Screw M8	
*			6	300.00186	1	Elbow 90° M/F 1/2" GAS	
*			7	566.65106	1	Extension M/F 1/2" GAS	
*			8	300.80192	1	Magnetic Plug M14x1,5	
*			9	300.00214	1	Reduction Nipple M16x1,5 - M14x1,5	
*			10	380.00335	2	Bonded Gasket 14	
A2				592.65148	1	Clutch Collector Cover Assembly	
*			19	533.65041	1	Clutch Collector Cover	
*			20	380.00335	2	Bonded Gasket 14	
*			21	300.00214	2	Reduction Nipple M16x1,5 - M14x1,5	
*			22	381.18300	1	O-Ring 3325 diam.82,22x2,62	
*			23	381.14100	2	O-Ring 2162 diam.41x1,78	
*			24	564.65042	1	Bush	
*			25	351.11385	1	Inner Seeger 50 UNI 7437	
			11	312.45082	12	Locknut M8 UNI 7473	
			12	311.55060	1	Allen Screw M6x16 UNI 5931	
			13	312.45060	1	Locknut M6 DIN 982	
			14	566.67151	1	Support	
			15	311.15153	1	Hexagonal-Head Screw M8x30 UNI 5739	
			16	566.65012	1	Grid Pin	
			17	314.91084	11	Plain Washer 8,4x17x1,6 UNI 6592	
			18	300.00187	1	Nipple M 1/2" GAS	



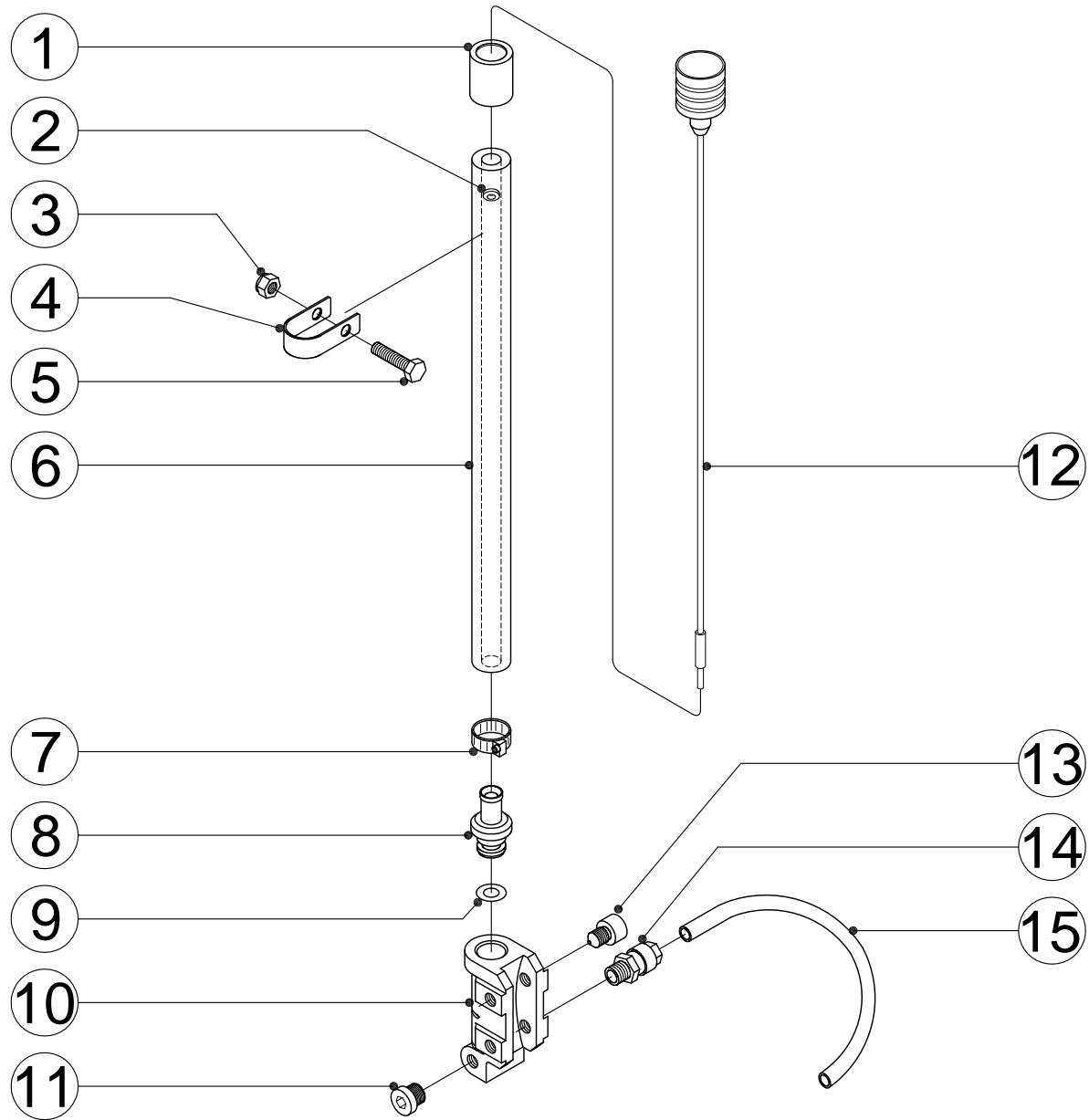
GROUP			ITEM	PART NUMBER	Q.TY	DESCRIPTION	Notes
A	B	C					
A1				595.00933	1	Hydraulic Cylinder Support Assembly	
			1	341.20032	2	Split Pin type A 3x30 UNI 1336	
			2	566.65052	1	Hydraulic Cylinder Pin	
			3	533.65053	1	Hydraulic Cylinder Support	
			4	314.91130	4	Plain Washer 13x24x2,5 UNI 6592	
			5	311.15306	4	Hexagonal-Head Screw M12x50 UNI 5739	
			6	311.35885	13	Allen Screw M8x25 UNI 5933	
			7	533.65502	1	BPR Shark 240	
			8	311.55060	4	Allen Screw M6x16 UNI 5931	
			9	552.65067	1	Cooling Line Intake Grid	
			10	381.10528	1	O-Ring 2021 diam. 5,28x1,78	
			11	566.65055	1	Bucket Docking	
			12	566.65054	1	Bucket End Stop	
			13	311.15152	2	Hexagonal-Head Screw M8x25 UNI 5739	
			14	300.00897	1	Hose Fitting 90° 1/8" GAS for Ø8 Hose	
			15	573.65114	1	Hose	
			16	300.40012	3	Plug M14x1,5	
			17	300.02100	1	Oil Pipe 1"1/4 GAS L=100	
			18	300.00583	1	Ball Valve 1"1/4 GAS	
			19	300.00004	1	Grease Nipple	
			20	333.15000	4	Rivet diam. 3,5x6,5 UNI 7346	
			21	580.61071	1	Marking Plate	
			22	300.80189	1	Oil Plug 3/4" GAS	
			23	312.41084	4	Locknut M5 with Collar DIN 6927	
			24	314.21259	4	Schnorr Spring Washer 5 Fst DIN6796	
			25	566.65141	1	Left Oil Dam	
			26	566.65140	1	Right Oil Dam	
			27	381.10000	1	O-Ring 189 diam. 100x5,34	
			28	533.65549	1	Inspection Hatch	
			29	550.61061	2	Pin	
			30	341.20022	6	Split Pin type A diam. 2x25 UNI 1336	
			31	550.61068	1	Pin for Tie Rod	
			32	540.61060	1	Tie Rod for Inspection Hatch	
			33	341.20020	1	Split Pin type A diam. 2x15 UNI 1336	
			34	532.61059	1	Inspection Hatch Lever	
			35	552.15132	1	Threaded Locking Ring	
			36	552.65143	2	Grid Bar Insulator Stop	
			37	311.35070	6	Flat Head M5x10 UNI 5933	
			38	312.45080	3	Torque-Type Hex. Nut M8 UNI 7474	
			39	314.91084	3	Plain Washer 8,4x17x1,6 UNI 6592	
			40	590.65139	3	Sacrificial Anode diam 45/25	
			41	312.15080	3	Hexagonal Nut M8 UNI 5588	
			42	314.31075	3	Lock Washer with internal teeth 8,2 UNI 3704	
			43	311.35086	3	Flat-Head Screw M8x55 UNI 5933	
			44	300.00733	1	Fitting Screw 1/4" GAS	
			45	380.00325	2	Bonded Gasket 1/4" GAS	
			46	300.00227	1	Elbow 90° 1/8" GAS for Ø6 Hose	
			47	300.21006	1	Hose Clamp d. 7÷11	
			48	573.65122	1	Flexible Hose	



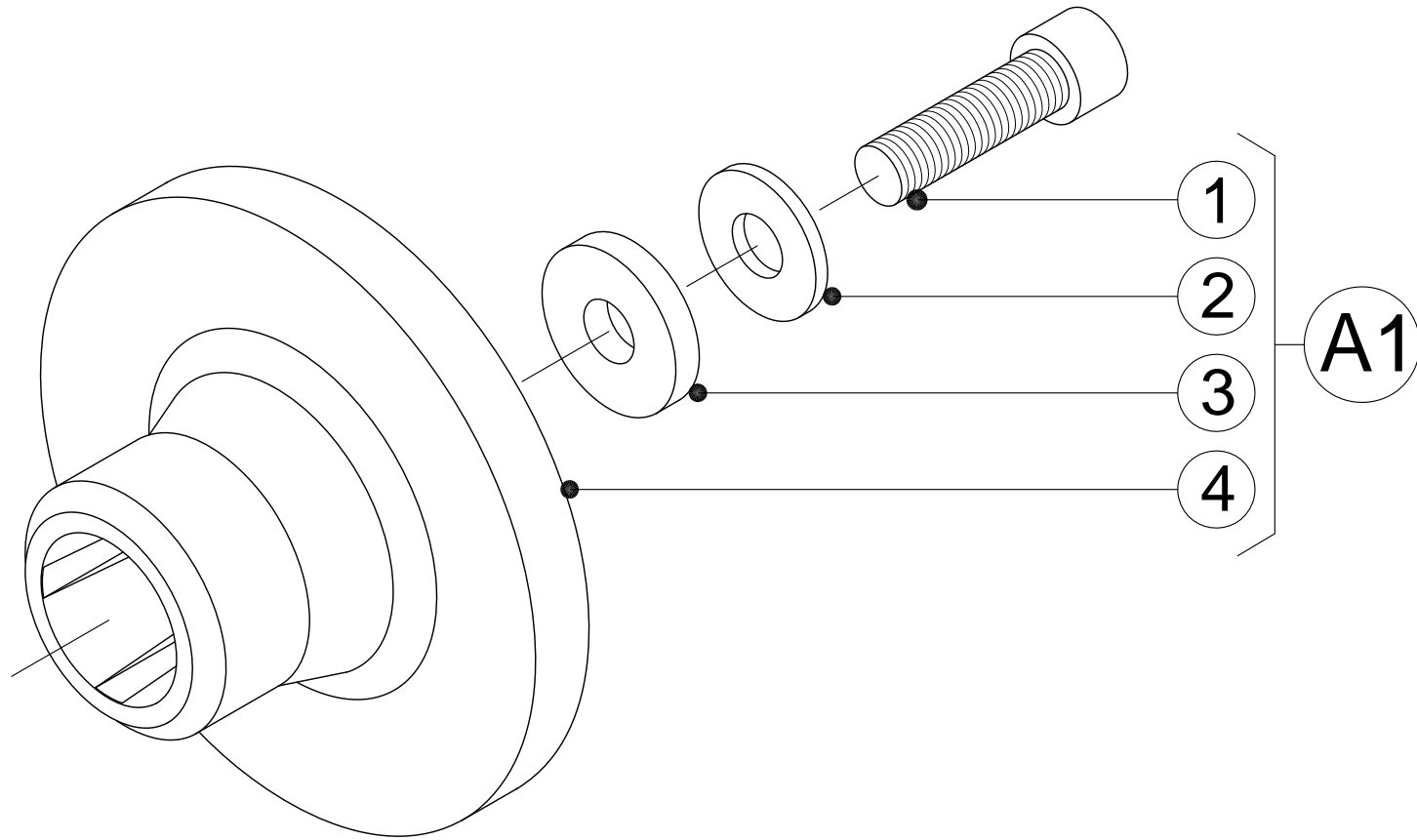
GROUP			ITEM	PART NUMBER	Q.TY	DESCRIPTION	Notes
A	B	C					
			1	342.21031	1	Pin diam.3h8x30 UNI 1707	
			2	571.65079	1	Ball Joint	
			3	300.01218	1	Sacrificial Anode diam.22	
			4	566.65370	1	Steering Control Shaft	
			5	552.65047	1	Locking Ring	
			6	311.65009	1	Cross Recessed Screw M4x20 UNI 7687	
			7	566.62057	1	Pin diam.17	
			8	381.12340	1	O-Ring 4093 diam. 23,4x3,53	
			9	552.65044	1	Bush	
			10	381.12670	1	O-Ring 2106 diam. 26,7x1,78	
			11	381.13299	2	O-Ring 3131 diam. 32,99x2,62	
			12	566.65043	1	Control Bucket Shaft	
			13	552.65045	1	Bush	
			14	311.35032	2	Flat-Head Screw M5x20 UNI 6109	
			15	552.65484	1	Spacer with Cam	
			16	566.65048	2	Pin	
			17	541.65049	1	Inner Bucket Lever	
			18	314.91130	3	Plain Washer 13x24x2,5 UNI 6592	
			19	312.45104	3	Torque-Type Hex. Nut M12 UNI 7474	
			20	552.65132	10	Shim sp.0,35	The quantity to be used could be lower
			21	541.65328	1	Steering Control Lever	
			22	311.55085	1	Allen Screw M8x35 UNI 5931	
			23	300.01221	1	Rectangular Anode 43x32x23	
			24	541.65050	1	External Bucket Lever	
			25	566.65086	1	Pin	
			26	341.20032	2	Spli Pin type A 3x30 UNI 1336	
			27	552.65131	10	Shim	The quantity to be used could be lower



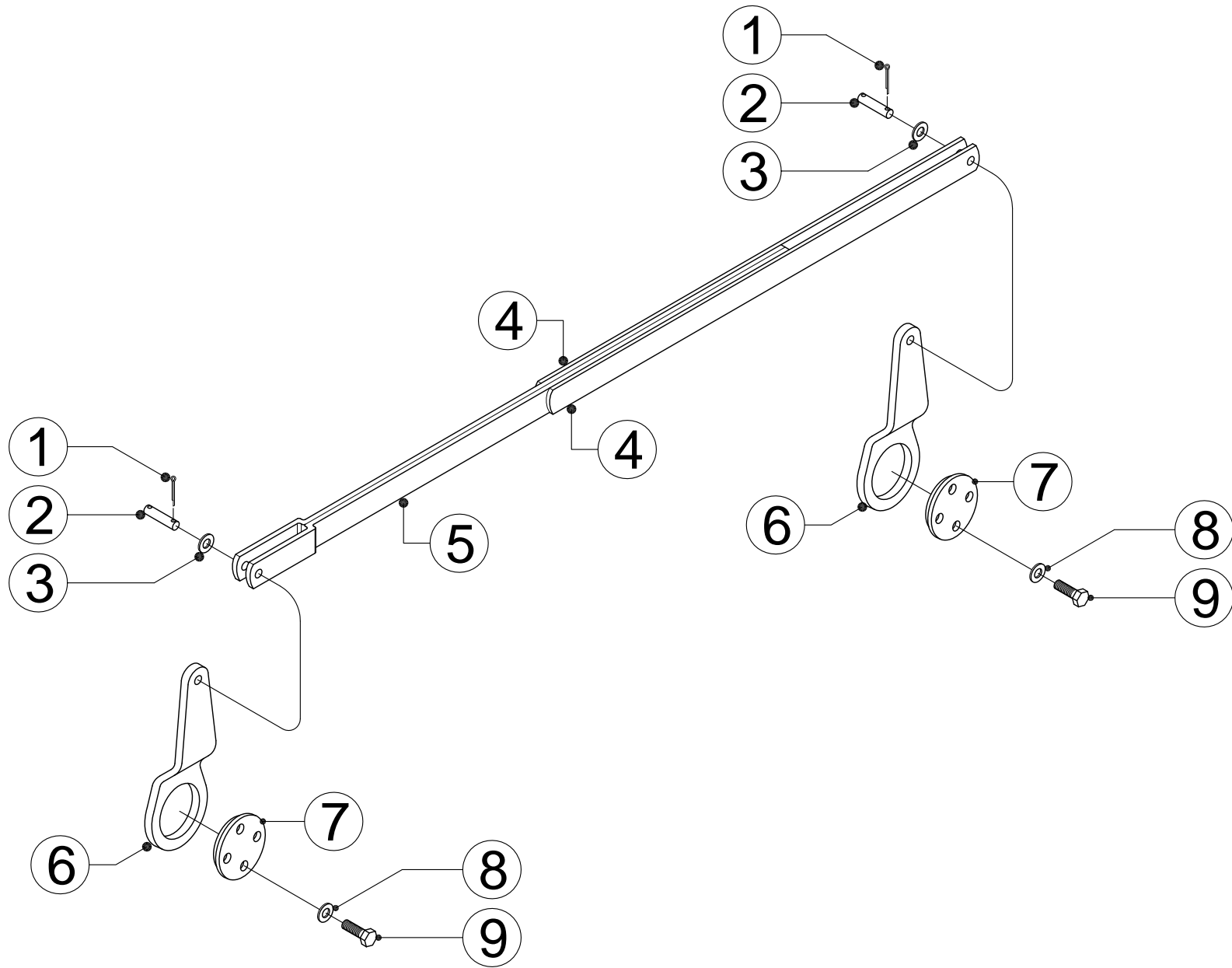
GROUP			ITEM	PART NUMBER	Q.TY	DESCRIPTION	Notes
A	B	C					
A1				592.65291	1	Oil Level Assembly	
*			1	566.65279	1	Bush	
*			2	333.12382	1	Rivet	
*			3	312.45060	1	Locknut M6 DIN 982	
*			4	566.65277	1	Bracket	
*			5	311.15092	1	Hexagonal-Head Screw M6x25 UNI 5739	
*			6	573.65278	1	Hose	
*			7	300.21013	1	Hose Clamp d.12÷22	
*			8	566.65280	1	Plug	
*			9	381.00004	1	O-Ring 4028	
*			10	552.65217	1	Oil Level Body	
*			11	300.40018	1	Plug 1/8" GAS	
*			12	590.65281	1	Oil Dipstick	
*			13	500.65201	2	Special Screw	
*			14	300.00818	1	Hose Fitting 1/8"GAS	
*			15	573.65114	1	Hose	



GROUP			ITEM	PART NUMBER	Q.TY	DESCRIPTION	Notes
A	B	C					
A1				596.00077	1	Flange DIN 150 Assembly	ONLY FOR " STANDARD " VERSION
*			1	311.54132	1	Allen Screw M14x50 UNI 5931	
*			2	314.21251	1	Schnorr Washer 14F DIN 6796	
*			3	563.61107	1	Washer 15x40x7	
*			4	565.65155	1	Flange DIN 150 - 8 x M12	
A1				596.65407	1	Flange SAE 1500 Assembly	ONLY FOR " STANDARD " VERSION
*			1	311.54132	1	Allen Screw M14x50 UNI 5931	
*			2	314.21251	1	Schnorr Washer 14F DIN 6796	
*			3	563.61107	1	Washer 15x40x6	
*			4	565.65408	1	Flange SAE 1500 - 4 x M14	
A1				596.65491	1	Flange DIN 150 Assembly	ONLY FOR " CLEAR DUCT " VERSION
*			1	311.54132	1	Allen Screw M14x50 UNI 5931	
*			2	314.21251	1	Schnorr Washer 14F DIN 6796	
*			3	563.61107	1	Washer 15x40x6	
*			4	563.65492	1	Flange DIN 150 - 8 x M12	
A1				596.65493	1	Flange SAE 1500 Assembly	ONLY FOR " CLEAR DUCT " VERSION
*			1	311.54132	1	Allen Screw M14x50 UNI 5931	
*			2	314.21251	1	Schnorr Washer 14F DIN 6796	
*			3	563.61107	1	Washer 15x40x6	
*			4	563.65494	1	Flange SAE 1500 - 4 x M14	
A1				596.65402	1	Flange SAE 69 Assembly	FOR ALL JETS
*			1	311.54132	1	Allen Screw M14x50 UNI 5931	
*			2	314.21251	1	Schnorr Washer 14F DIN 6796	
*			3	563.61107	1	Washer 15x40x6	
*			4	563.65403	1	Flange SAE 69 - 4 x M12	
A1				596.00078	1	Flange DIN 120 Assembly	FOR ALL JETS
*			1	311.54132	1	Allen Screw M14x50 UNI 5931	
*			2	314.21251	1	Schnorr Washer 14F DIN 6796	
*			3	563.61107	1	Washer 15x40x6	
*			4	565.65156	1	Flange DIN 120 - 8 x M10	
A1				596.00071	1	Flange SCATRA 13790 Assembly	FOR ALL JETS
*			1	311.54132	1	Allen Screw M14x50 UNI 5931	
*			2	314.21251	1	Schnorr Washer 14F DIN 6796	
*			3	563.61107	1	Washer 15x40x6	
*			4	525.61463	1	Flange SCATRA 13790 - 6 x M12	
A1				596.00073	1	Flange SCATRA 13740 Assembly	FOR ALL JETS
*			1	311.54132	1	Allen Screw M14x50 UNI 5931	
*			2	314.21251	1	Schnorr Washer 14F DIN 6796	
*			3	563.61107	1	Washer 15x40x6	
*			4	525.61465	1	Flange SCATRA 13740 - 6 x M12	
A1				596.00074	1	Flange SCATRA 13725 Assembly	FOR ALL JETS
*			1	311.54132	1	Allen Screw M14x50 UNI 5931	
*			2	314.21251	1	Schnorr Washer 14F DIN 6796	
*			3	563.61107	1	Washer 15x40x6	
*			4	525.61466	1	Flange SCATRA 13725 - 6 x M10	



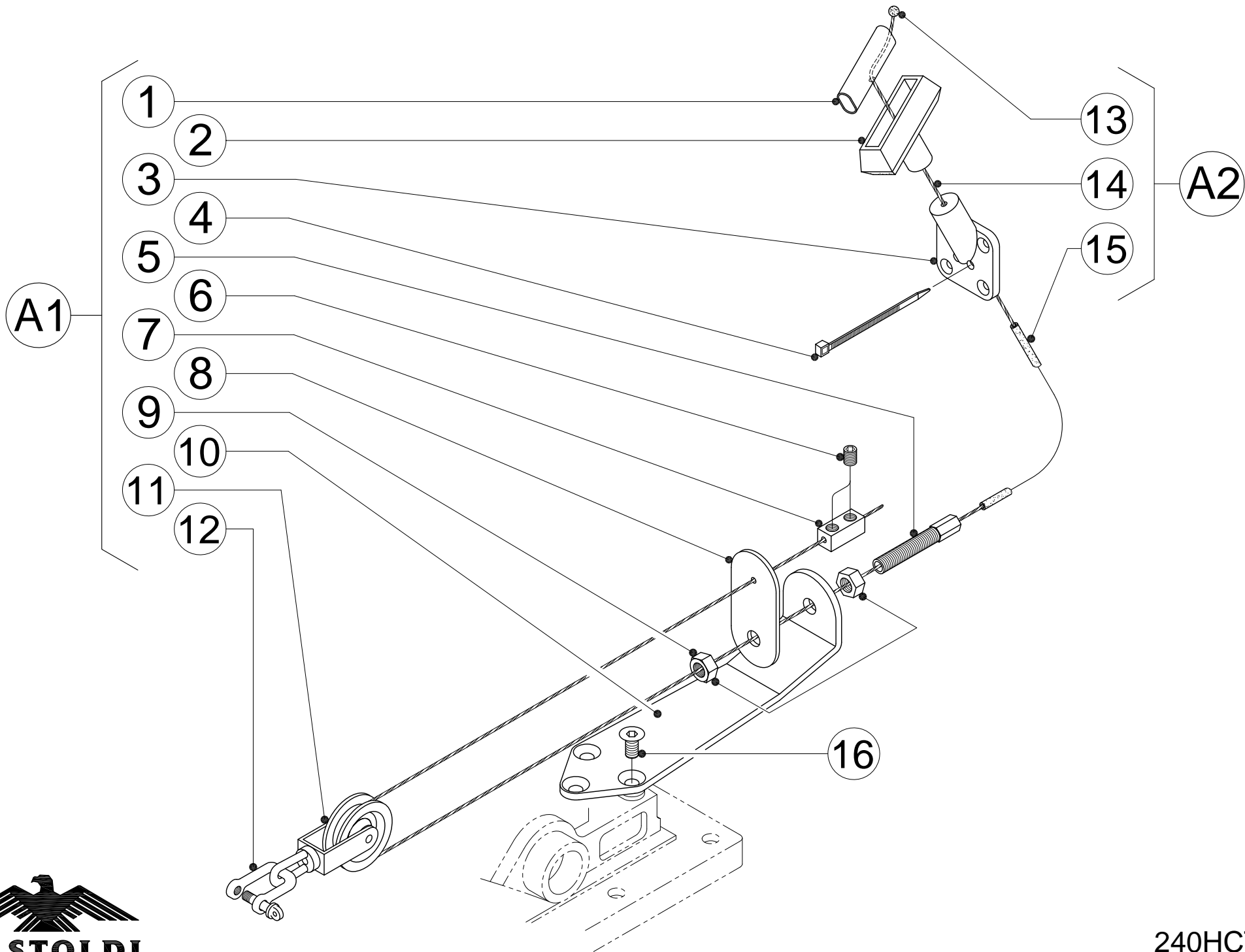
GROUP			ITEM	PART NUMBER	Q.TY	DESCRIPTION	Notes
A	B	C					
A1				592.65454	1	Coupling Kit for 2 Jets	
*			1	341.20031	4	Split Pin Type A 3x18 UNI 1336	
*			2	566.18596	2	Pin diam.8x34	
*			3	314.91084	4	Plain Washer 8,4x17x1,6 UNI 6592	
*			4	561.18566	2	Join Tie Rod External Part	
*			5	590.18565	1	Tie Rod Inner Part Assembly	
*			6	566.65453	2	Slave Lever for Steering Link	
*			7	566.65126	2	Slave Lever Locking Plate Disk	
*			8	314.91083	8	Spring Washer 8,4 UNI 1751	
*			9	311.70825	8	Hexagonal-Head Screw M8x25 UNI 5739	



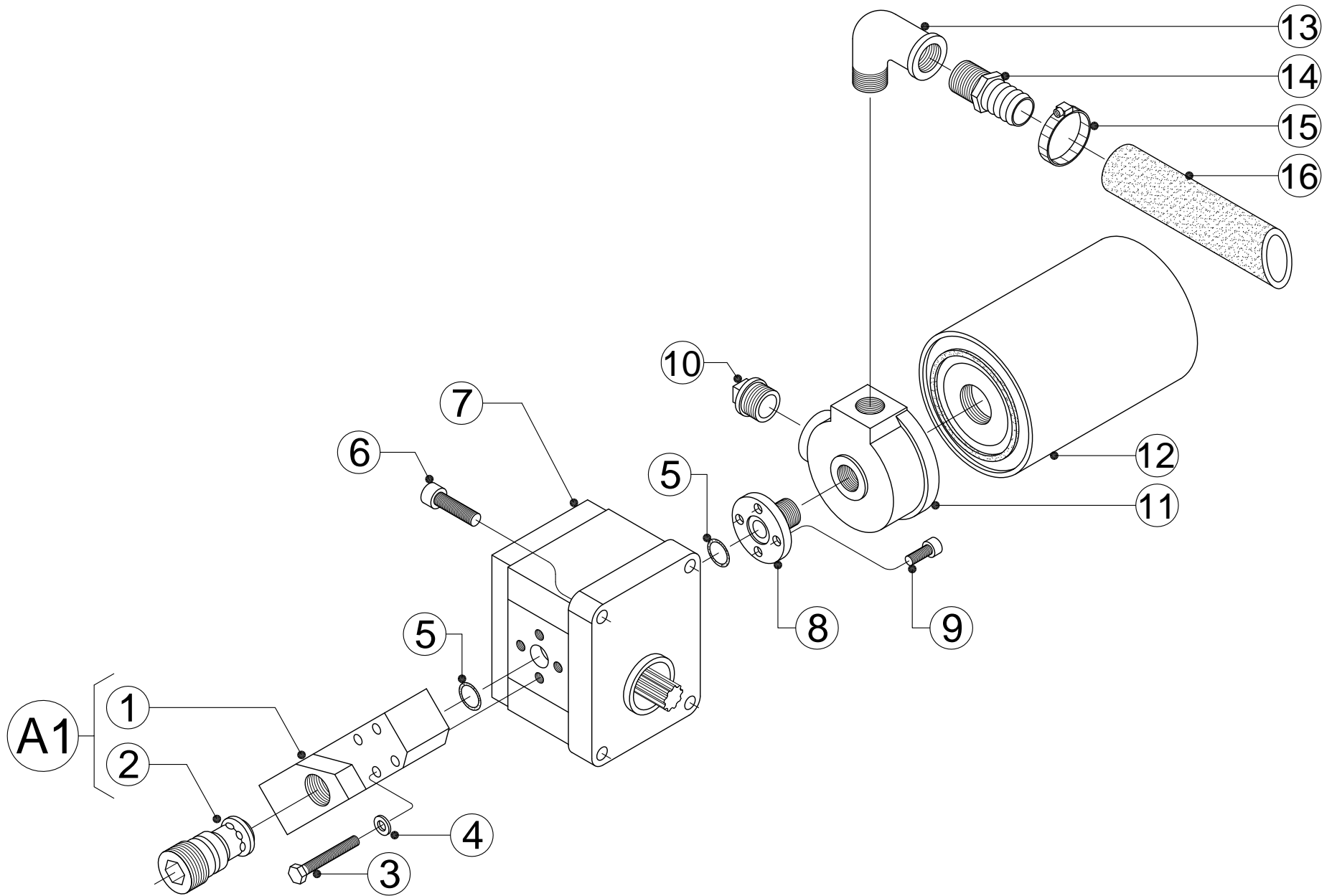
A1 592.65454 - KIT ACCOPPIAMENTO DI 2 JET
 592.65454 - COUPLING KIT FOR 2 JETS

240HCT.20/00

GROUP			ITEM	PART NUMBER	Q.TY	DESCRIPTION	Notes
A	B	C					
A1				592.65196	1	Grid Manual Control	
*			1	566.61093	1	Cable Stopper	
*			2	551.61092	1	Handle	
*			3	532.61094	1	Handle Contrast	
*			4	300.22092	1	Clamp 3,6x200 d. max 65	
*			5	566.11415	1	Sheath End	
*			6	311.05082	2	Grub Scew M8x10 UNI 5927	
*			7	566.10206	1	Cable Clamp	
*			8	566.10207	1	Cable Clamp Lock	
*			9	312.15100	2	Hexagonal Nut M10 UNI 5588	
*			10	566.65142	1	Grid Cable Contrast	
*			11	300.00176	1	Pulley d.50	
*			12	300.00028	1	Shackle M6	
A2				599.02901	1	Cable Assembly	SPECIFY CABLE LENGTH
*			13	571.11102	1	Cable End Stop d. 2,2	
*			14	300.00171	1	Grid Cable d. 2	
*			15	300.00160	1	Sheath d. 6x7	
			16	311.35885	3	Allen Screw M8x25 UNI 5933	



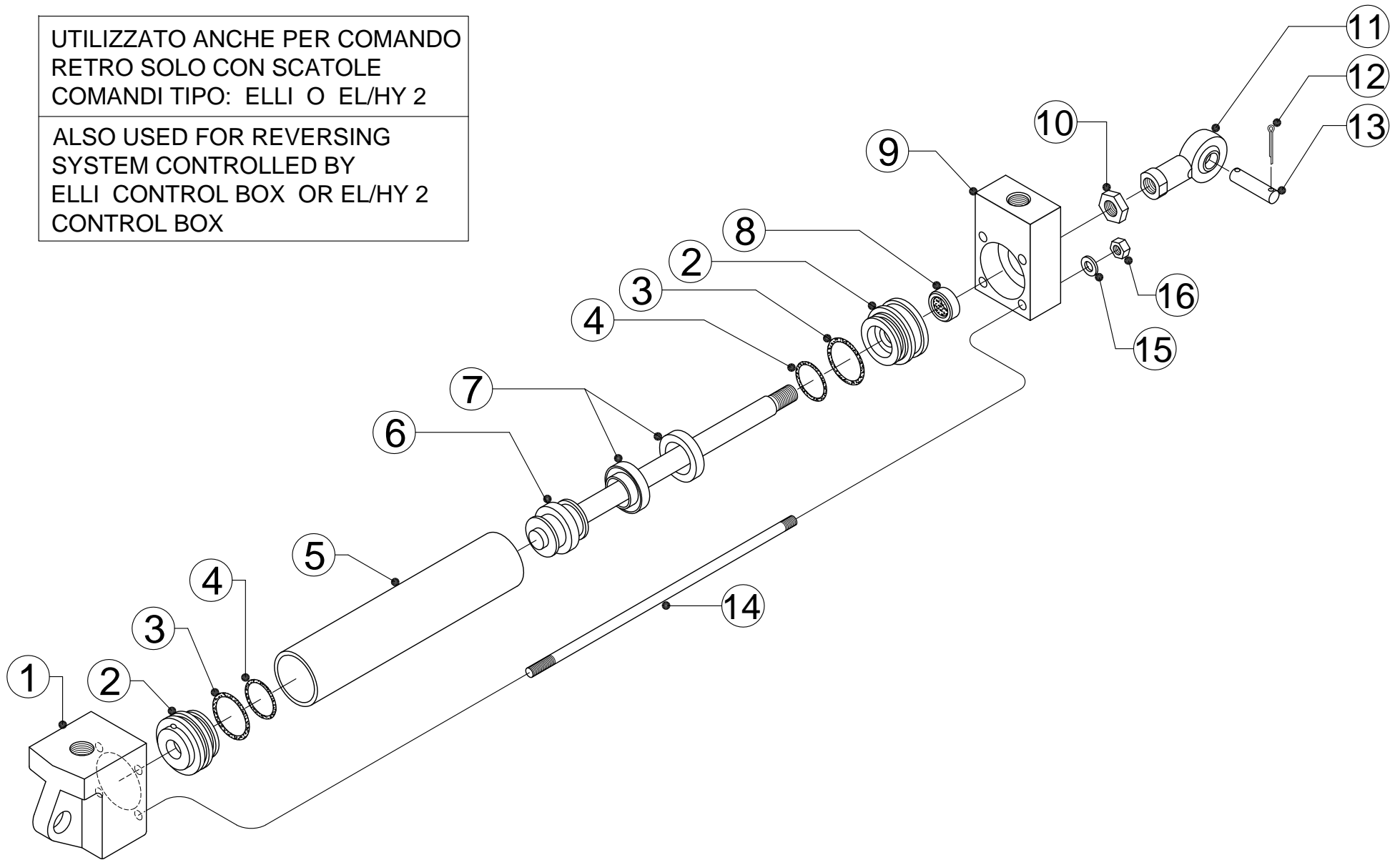
GROUP			ITEM	PART NUMBER	Q.TY	DESCRIPTION	Notes
A	B	C					
A1				592.65116	1	Flange with Directional Valve	
*			1	572.65115	1	Flange	
*			2	300.00180	1	Directional Valve	
			3	311.15094	4	Hexagonal-Head M6x45 UNI 5739	
			4	314.91065	4	Plain Washer 6,5x12,5x1,2 UNI 6592	
			5	381.11085	2	O-Ring 2056 diam.14x1,78	
			6	311.55084	4	Allen Screw M8x40 UNI 5931	
			7	500.65158	1	Oil Pump	
			8	566.65108	1	Fitting 3/8" GAS	
			9	311.55060	4	Allen Screw M6x16 UNI 5931	
			10	300.40008	1	Plug M 1/2" GAS	
			11	533.65109	1	Low Pressure Oil Filter Support	
			12	300.00375	1	Oil Filter CS 50 M60	
			13	300.00186	1	Elbow 90° M/F 1/2" GAS	
			14	300.00187	2	Nipple M 1/2" GAS	
			15	300.21024	2	Hose Clamp d. 24÷36	
			16	580.65107	1	Oil Intake Hose	



GROUP			ITEM	PART NUMBER	Q.TY	DESCRIPTION	Notes
A	B	C					
A1				592.64138	1	Hydraulic Steering Ram for Vetus, Seastar and Danfoss	
*			1	541.64136	1	Ram Base	
*			2	571.16719	2	Bush Seal	
*			3	381.12982	2	O-Ring 3118 diam. 29,82x2,62	
*			4	381.12507	2	O-Ring 3100 diam. 25,07x2,62	
*			5	571.16723	1	Ram Liner	
*			6	590.16720	1	Rod Assembly	
*			7	383.12500	2	Lip Seal d.30x20,5x6,35	
*			8	380.00091	1	Gasket d.12x19x6	
*			9	571.64137	1	Ram Head	
*			10	312.35010	1	Torque-Type Hex. Nut M10x1,25 UNI 5589	
*			11	300.00015	1	Ball Joint	
*			12	341.20031	2	Split Pin Type A 3x18 UNI 1336	
*			13	566.17140	1	Pin 10x42	
*			14	566.16632	4	Tie Rod	
*			15	314.91065	4	Plain Washer 6,5x12,5x1,2 UNI 6592	
*			16	312.15060	4	Nut M6 UNI 5588	

UTILIZZATO ANCHE PER COMANDO
RETRO SOLO CON SCATOLE
COMANDI TIPO: ELLI O EL/HY 2

ALSO USED FOR REVERSING
SYSTEM CONTROLLED BY
ELLI CONTROL BOX OR EL/HY 2
CONTROL BOX

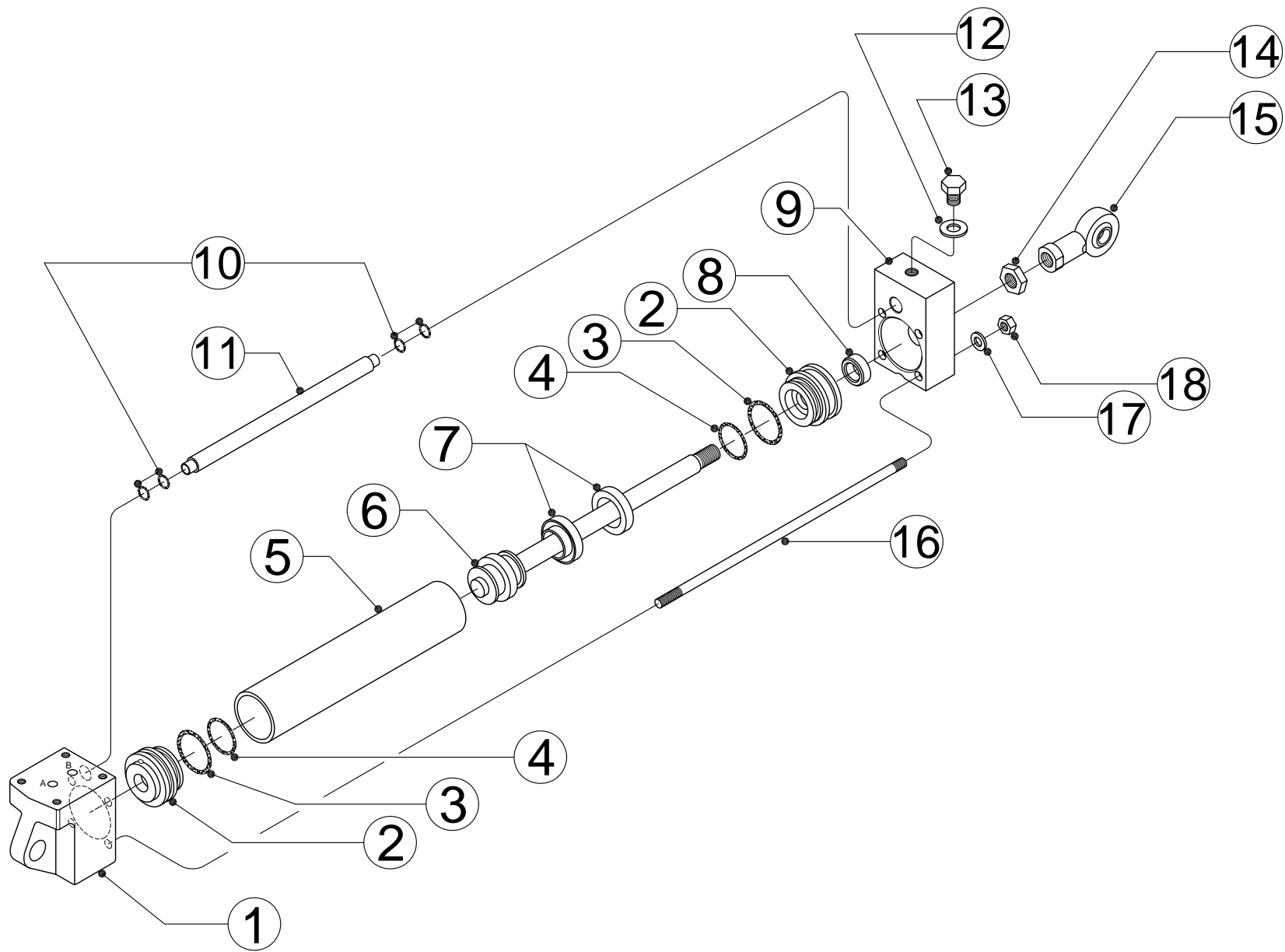


A1

592.64138 - CILINDRO IDRAULICO DI STERZO per VETUS, SEASTAR e DANFOSS
592.64138 - HYDRAULIC STEERING RAM for VETUS, SEASTAR and DANFOSS

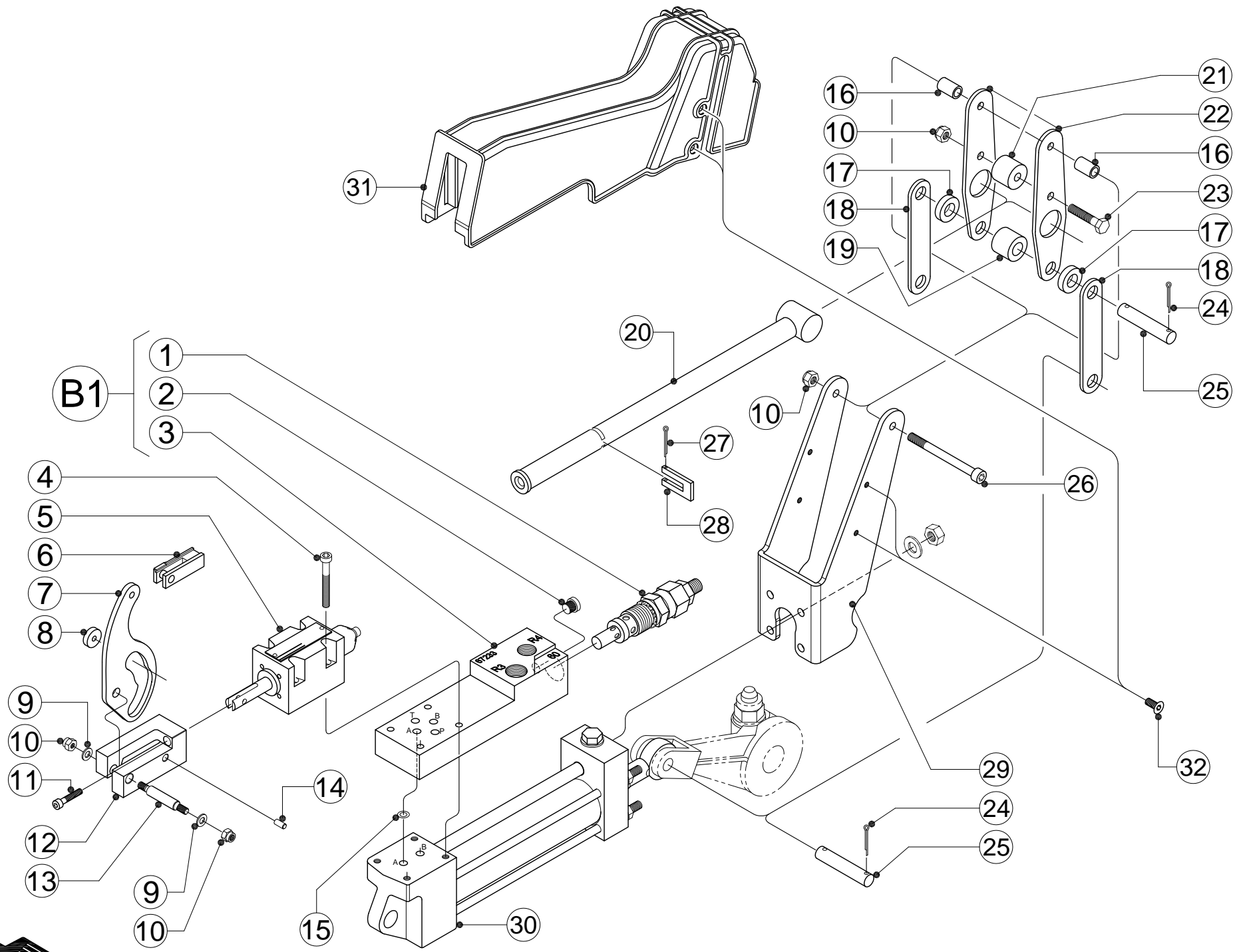
240HCT.23/00

GROUP			ITEM	PART NUMBER	Q.TY	DESCRIPTION	Notes
A	B	C					
A1				592.65307	1	Hydromec Hydraulic Ram Assembly	
*			1	541.16742	1	Ram Base	
*			2	371.16719	2	Bush Seal	
*			3	381.12982	2	O-Ring 3118 diam. 29,82x2,62	
*			4	381.12507	2	O-Ring 3100 diam. 25,07x2,62	
*			5	571.16723	1	Ram Liner	
*			6	590.16720	1	Rod Assembly	
*			7	383.12500	2	Lip Seal d.30x20,5x6,35	
*			8	380.00091	1	Gasket d.12x19x6	
*			9	571.16718	1	Ram Head	
*			10	381.10675	4	O-Ring 106 d.6,75x1,78	
*			11	566.16724	1	Return Oil Pump Hose	
*			12	314.80084	1	Plain Washer 8,4x17x1 UNI 6592	
*			13	311.15146	1	Hexagonal-Head M8x10 UNI 5739	
*			14	312.35010	1	Torque-Type Hex. Nut M10x1,25 UNI 5589	
*			15	300.00015	1	Ball Joint	
*			16	566.16632	4	Tie Rod	
*			17	314.91065	4	Plain Washer 6,5x12,5x1,2 UNI 6592	
*			18	312.15060	4	Nut M6 UNI 5588	



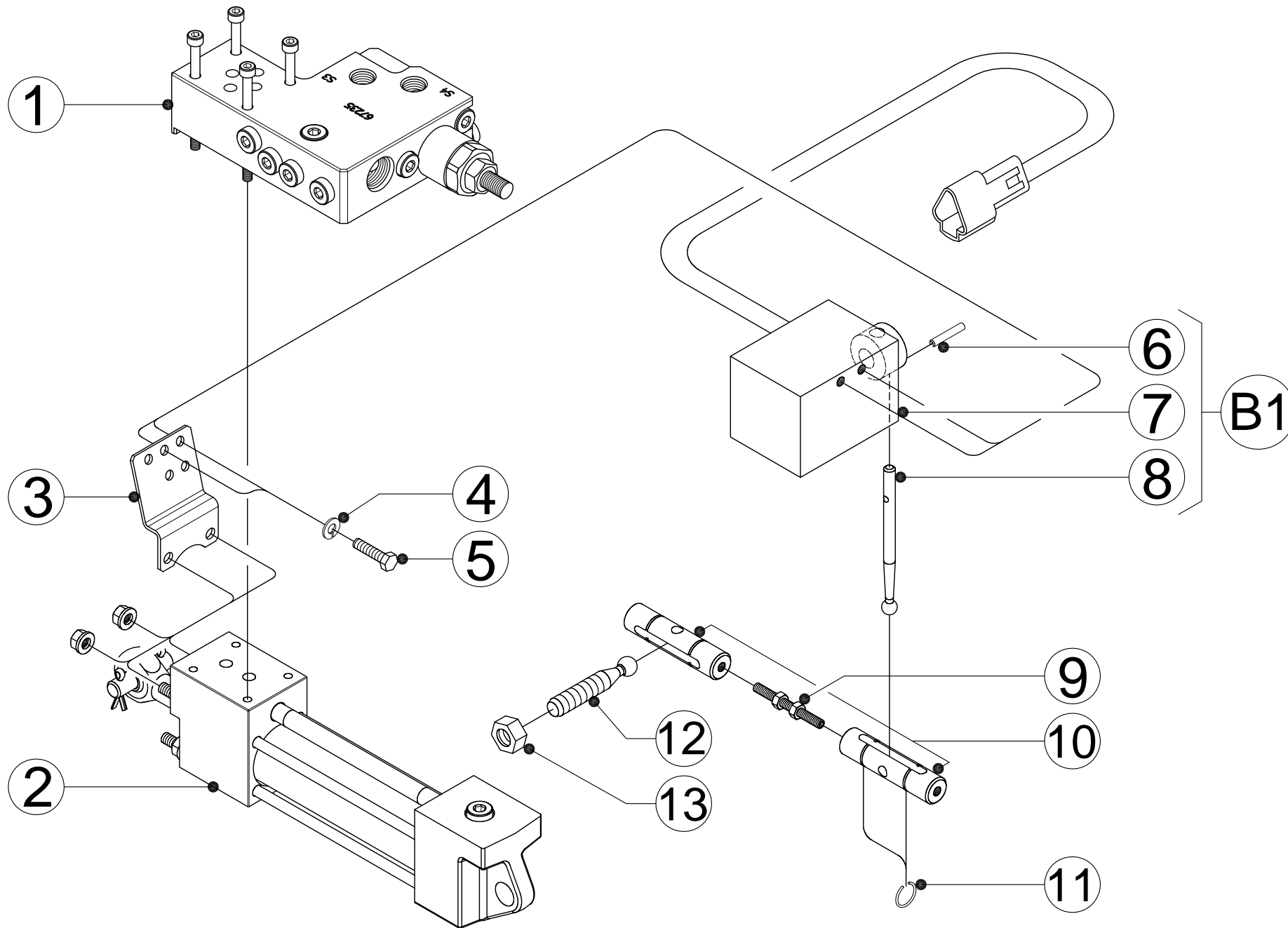
A1 592.65307 - CILINDRO COMPLETO PER HYDROMECH
 592.65307 - HYDROMECH HYDRAULIC RAM ASSEMBLY

GROUP			ITEM	PART NUMBER	Q.TY	DESCRIPTION	Notes
A	B	C					
A1				592.65350	1	Hydromec Hydraulic Assistance	
*	B1			592.65298	1	Hydromec Base Assembly 100 bar	
	*		1	500.65443	1	Relief Valve 60bar	
	*		2	300.40018	1	Plug 1/8" GAS	
	*		3	572.67233	1	Hydromec Base	
*			4	311.52055	4	Allen Screw M5x55 UNI 5931	
*			5	300.00690	1	Directional Valve with M5 hole	
*			6	300.00580	1	Ultraflex Fork	
*			7	566.65479	1	Hydromec Lever	
*			8	571.65483	1	Hydromec Spacer	
*			9	314.91065	2	Plain Washer 6,5x12,5x1,2 UNI 6592	
*			10	312.45060	4	Locknut M6 DIN 982	
*			11	311.55052	2	Allen Screw M5x20 UNI 5931	
*			12	572.65475	1	Hydromec Support	
*			13	566.65476	1	Pin d.9	
*			14	566.65477	1	Pin d.5	
*			15	381.10680	2	O-Ring 108 diam. 8,73x1,78	
*			16	566.11137	2	Spacer	
*			17	552.65351	2	Hydromec Spacer 10x20x3	
*			18	566.67211	2	Hydromec Tie Rod	
*			19	552.67214	1	Hydromec Spacer 10x20x17	
*			20	590.65480	1	Hydromec Holder-Up	
*			21	552.67225	1	Hydromec Spacer 6x20x17	
*			22	566.67197	2	Hydromec Lever	
*			23	311.15091	1	Hexagonal-Head Screw M6x35 UNI 5739	
*			24	341.20031	2	Split Pin Type A 3x18 UNI 1336	
*			25	566.65305	2	Hydromec Pin	
*			26	311.55070	1	Allen Screw M6x75 UNI 5731	
*			27	341.20022	1	Split Pin type A diam. 2x25 UNI 1336	
*			28	566.10384	1	Stop Fork	
*			29	566.67196	1	Hydromec Support	
*			30	592.65307	1	Hydromec Hydraulic Ram Assembly	SEE PAGE 240HCT.24
*			31	550.67515	1	Hydromec Cover	
*			32	311.35010	4	Flat-Head Screw M5x10 UNI 6109	



A1 592.65350 - SERVOCOMANDO HYDROMECC
 592.65350 - HYDROMECC HYDRAULIC ASSISTANCE

GROUP			ITEM	PART NUMBER	Q.TY	DESCRIPTION	Notes
A	B	C					
A1				592.65607	1	Hydraulic Steering Ram for ACES with Hall Potentiometer	
*	B1			592.65603	1	Hall Potentiometer for ACES OX=69	
	*		6	342.11027	1	Spring Pin diam.3x18 UNI 6873	
	*		7	592.60016	1	Hall Potentiometer	
	*		8	566.64216	1	Potentiometer Control Lever	
*			1	592.65447	1	ACES Steering Hydraulic Cylinder Base Assembly	SEE PAGE 240HCT.28
*			2	592.65409	1	Hydraulic Steering Ram for ACES	SEE PAGE 240HCT.27
*			3	566.65425	1	Transducer Support	
*			4	314.91078	2	Spring Washer A5,3 UNI1751	
*			5	311.15077	2	Hexagonal-Head Screw M5x10 UNI 5739	
*			9	590.66354	1	Connecting Rod L=17	
*			10	573.16689	2	Joint	
*			11	580.66353	4	Joint Spring Ring	
*			12	566.63268	1	Pin	
*			13	312.35080	1	Torque-Type Hex. Nut M8 UNI 5589	

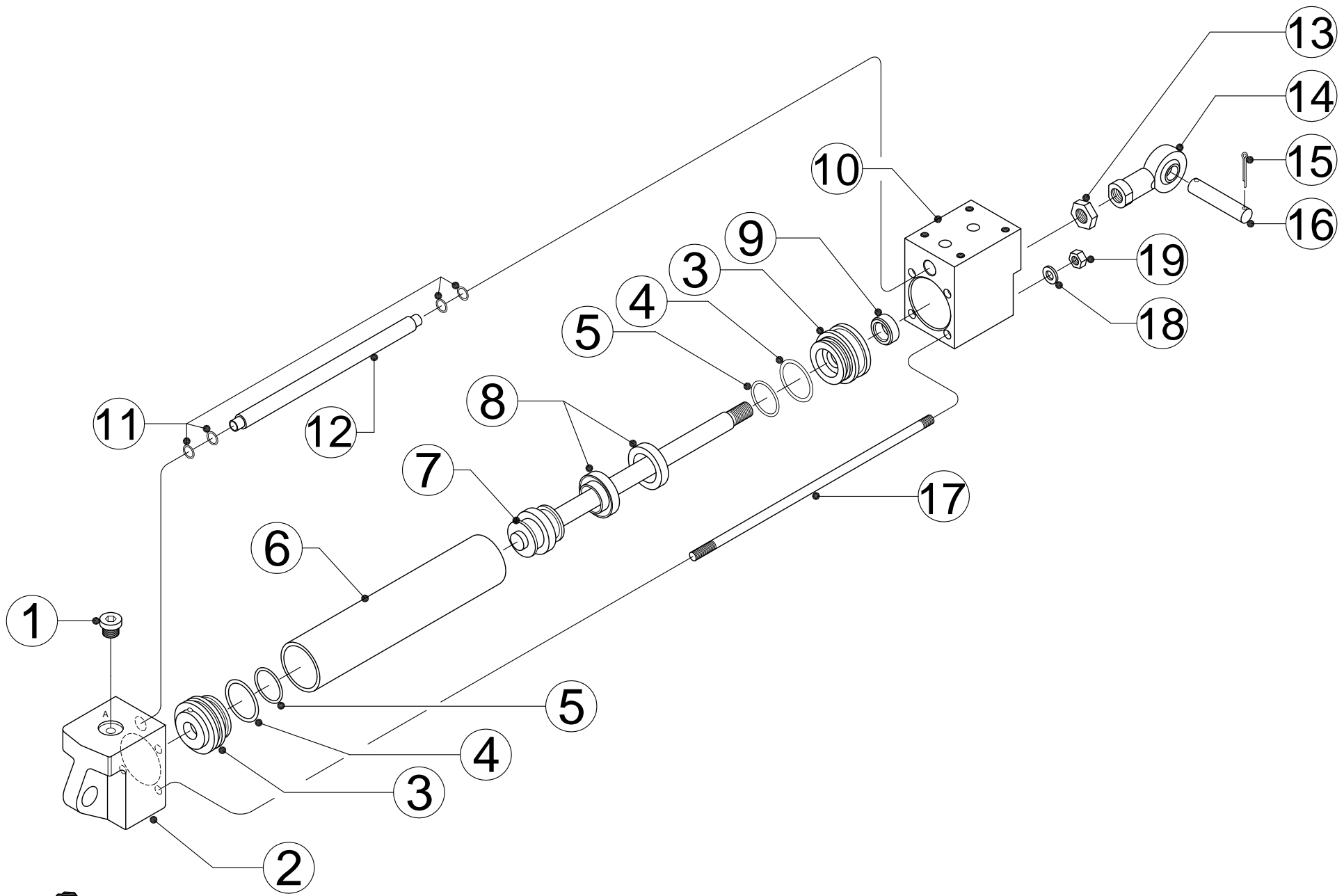


A1

592.65607 - CILINDRO STERZO ACES con TRASDUTTORE HALL

592.65607 - ACES HYDRAULIC STEERING RAM with HALL POTENTIOMETER 240HCT.26/00

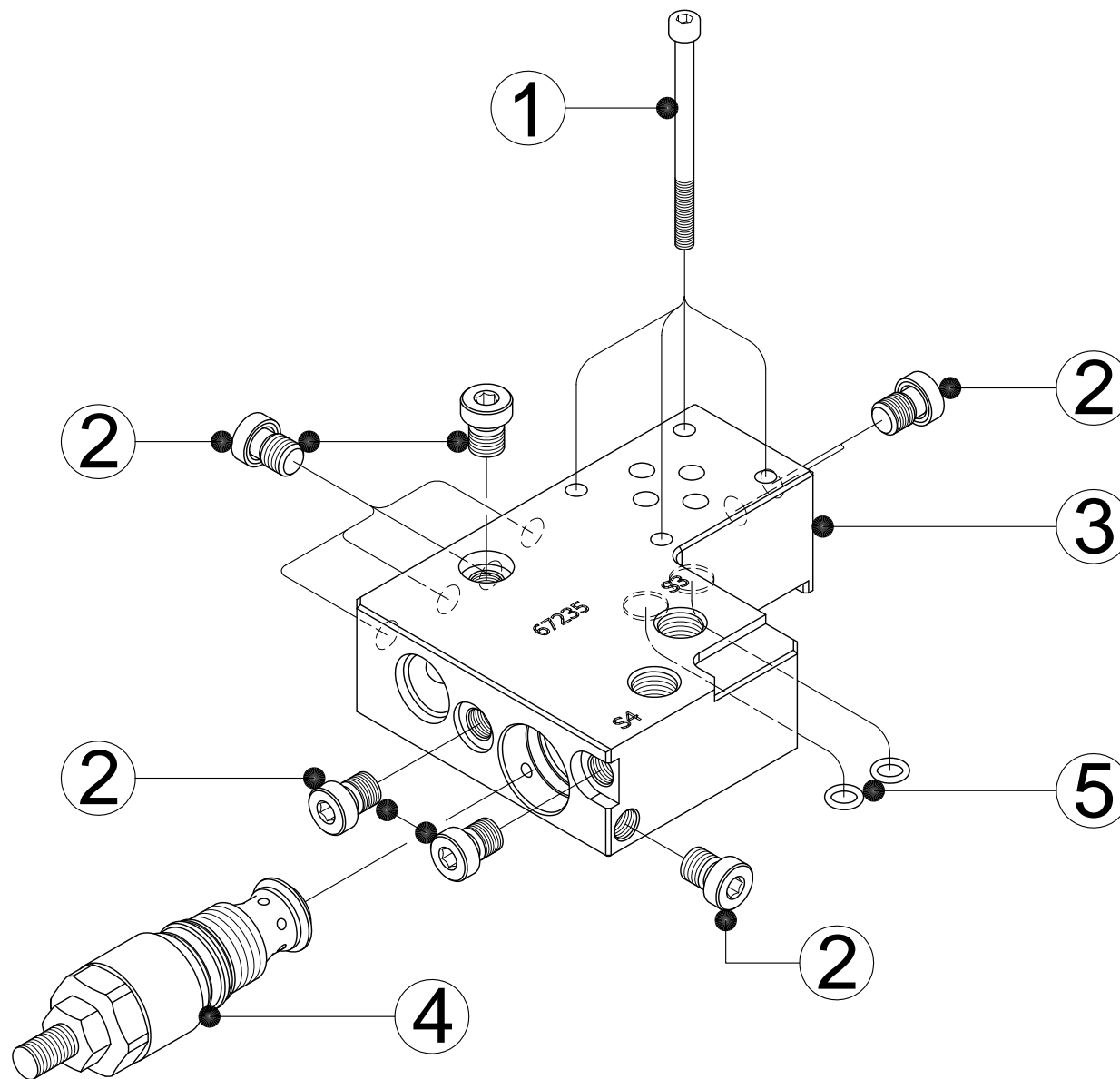
GROUP			ITEM	PART NUMBER	Q.TY	DESCRIPTION	Notes
A	B	C					
A1				592.65409	1	ACES Hydraulic Steering Ram	
*			1	300.40018	1	Plug 1/8" GAS	
*			2	541.65411	1	Ram Base	
*			3	371.16719	2	Bush Seal	
*			4	381.12982	2	O-Ring 3118 diam. 29,82x2,62	
*			5	381.12507	2	O-Ring 3100 diam. 25,07x2,62	
*			6	571.16723	1	Ram Liner	
*			7	590.16720	1	Rod Assembly	
*			8	383.12500	2	Lip Seal d.30x20,5x6,35	
*			9	380.00091	1	Gasket d.12x19x6	
*			10	572.65410	1	Ram Head	
*			11	381.10675	4	O-Ring 106 d.6,75x1,78	
*			12	566.65412	1	Return Oil Pump Hose	
*			13	312.35010	1	Torque-Type Hex. Nut M10x1,25 UNI 5589	
*			14	300.00015	1	Ball Joint	
*			15	341.20031	2	Split Pin Type A 3x18 UNI 1336	
*			16	566.17140	1	Pin 10x42	
*			17	566.16632	4	Tie Rod	
*			18	314.91065	4	Plain Washer 6,5x12,5x1,2 UNI 6592	
*			19	312.15060	4	Nut M6 UNI 5588	



A1 592.65409 - CILINDRO DI STERZO PER ACES
 592.65409 - ACES STEERING HYDRAULIC CYLINDER

240HCT.27/00

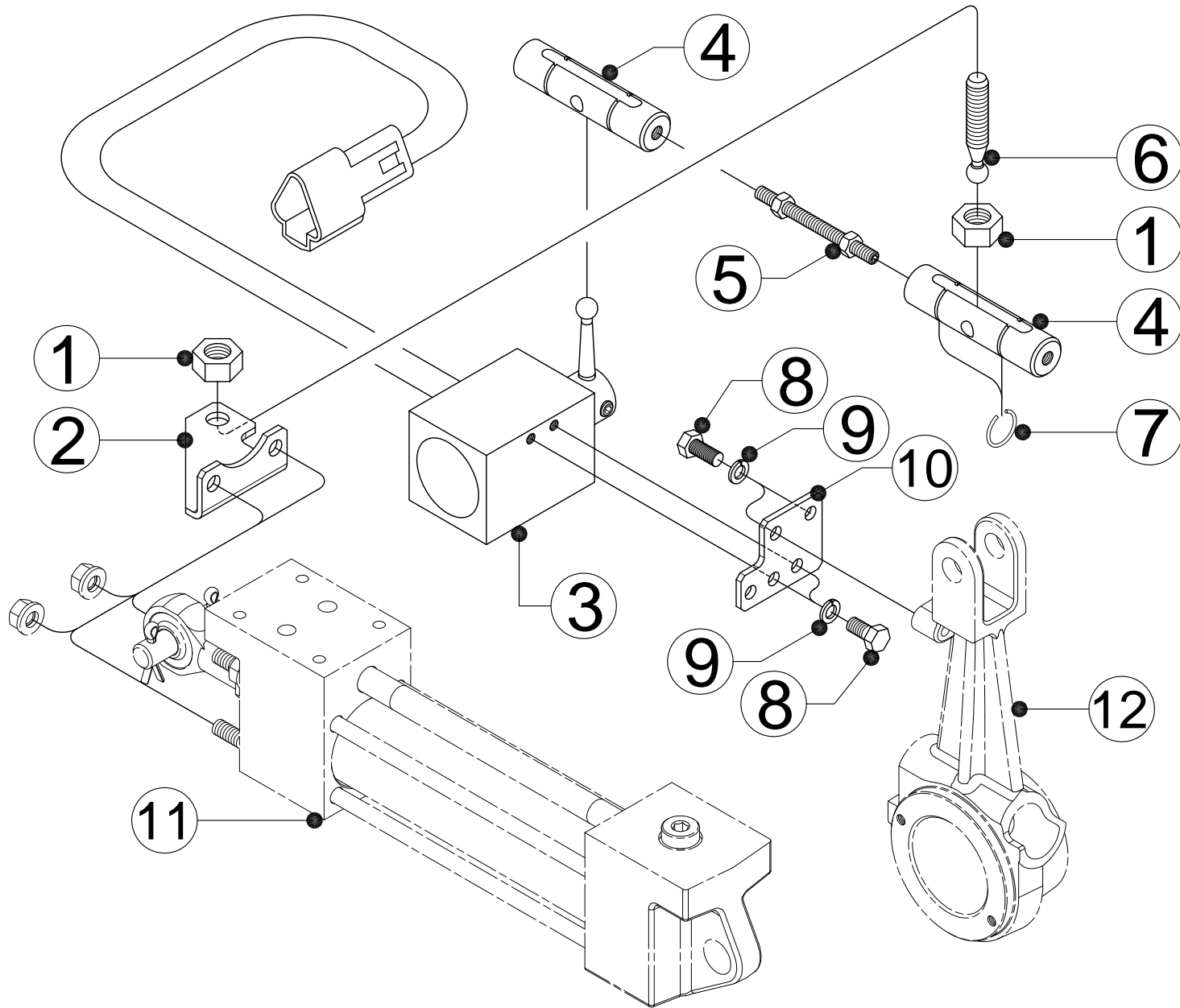
GROUP			ITEM	PART NUMBER	Q.TY	DESCRIPTION	Notes
A	B	C					
A1				592.65447	1	ACES Steering Hydraulic Ram Base Assembly	
*			1	311.55069	4	Allen Screw M5x70 UNI 5931	
*			2	300.40018	10	Plug 1/8" GAS	
*			3	572.67235	1	ACES Steering Hydraulic Cylinder Base	
*			4	500.00571	1	Relief Valve 50 bar	
*			5	381.10680	2	O-Ring 108 diam. 8,73x1,78	



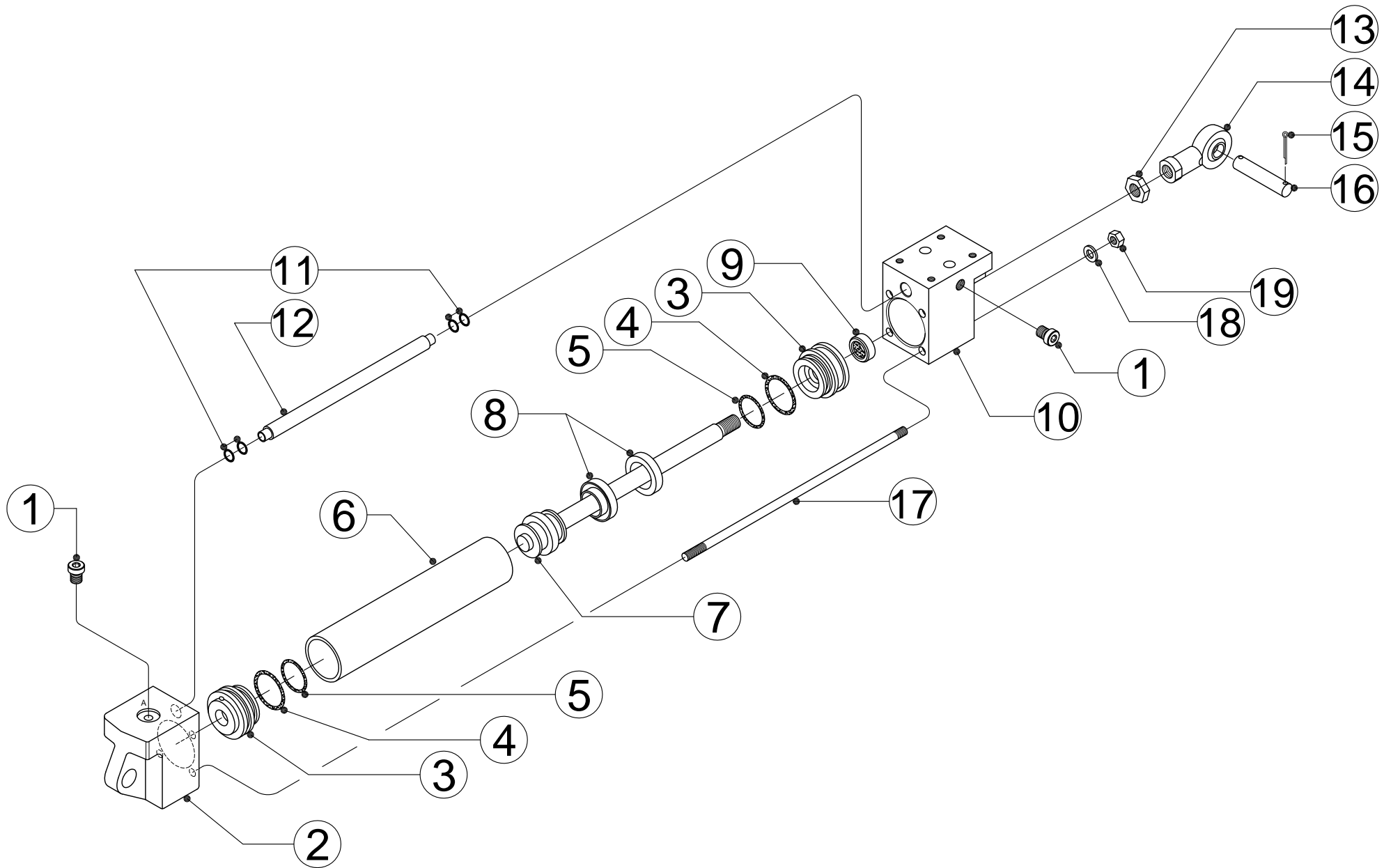
A1 592.65447 - BASE COMPL. PER CILINDRO DI STERZO ACES
 592.65447 - ACES STEERING HYDRAULIC RAM BASE ASSEMBLY

240HCT.28/00

GROUP			ITEM	PART NUMBER	Q.TY	DESCRIPTION	Notes
A	B	C					
A1				592.65605	1	Hall Potentiometer Kit for ACES Reversing System	
*			1	312.35080	2	Torque-Type Hex. Nut M8 UNI 5589	
*			2	566.65422	1	Pin Support	
*			3	592.65604	1	Hall Potentiometer for ACES OX=47	
*			4	573.16689	2	Joint	
*			5	590.65452	1	Connecting Rod L=39	
*			6	566.63268	1	Pin	
*			7	580.66353	4	Joint Spring Ring	
*			8	311.15077	2	Hexagonal-Head Screw M5x10 UNI 5739	
*			9	314.91078	2	Spring Washer A5,3 UNI1751	
*			10	566.65423	1	Transducer Support	
			11	592.65416	1	ACES Hydraulic Reversing System Ram	SEE PAGE 240HCT.30
			12	541.65049	1	Inner Bucket Lever	SEE N.17 PAGE 240HCT.17



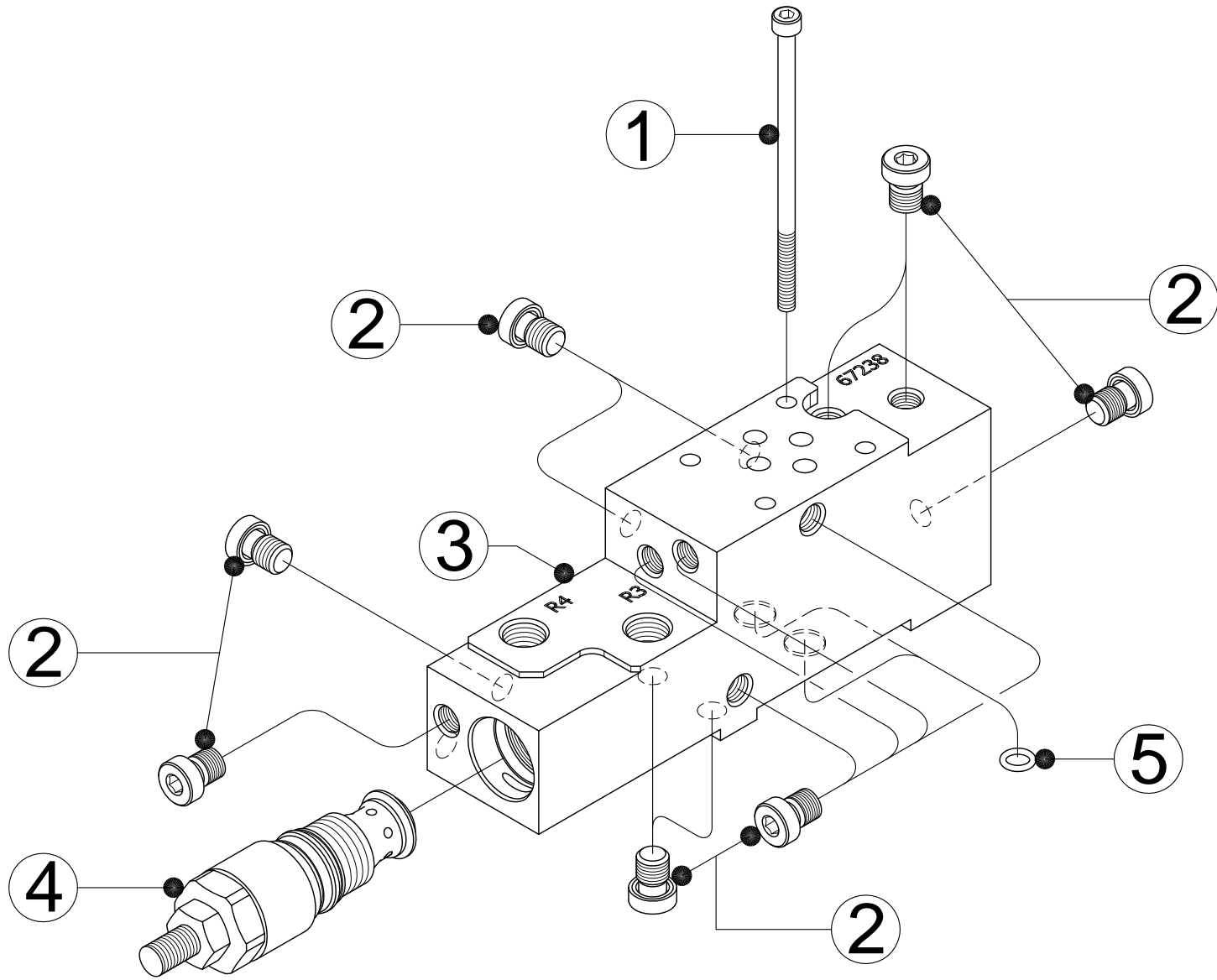
GROUP			ITEM	PART NUMBER	Q.TY	DESCRIPTION	Notes
A	B	C					
A1				592.65416	1	ACES Hydraulic Reversing System Ram	
*			1	300.40018	2	Plug 1/8" GAS	
*			2	541.65411	1	Ram Base	
*			3	371.16719	2	Bush Seal	
*			4	381.12982	2	O-Ring 3118 diam. 29,82x2,62	
*			5	381.12507	2	O-Ring 3100 diam. 25,07x2,62	
*			6	571.16723	1	Ram Liner	
*			7	590.16720	1	Rod Assembly	
*			8	383.12500	2	Lip Seal d.30x20,5x6,35	
*			9	380.00091	1	Gasket d.12x19x6	
*			10	572.65417	1	Ram Head	
*			11	381.10675	4	O-Ring 106 d.6,75x1,78	
*			12	566.65412	1	Return Oil Pump Hose	
*			13	312.35010	1	Torque-Type Hex. Nut M10x1,25 UNI 5589	
*			14	300.00015	1	Ball Joint	
*			15	341.20031	2	Split Pin Type A 3x18 UNI 1336	
*			16	566.17140	1	Pin 10x42	
*			17	566.16632	4	Tie Rod	
*			18	314.91065	4	Plain Washer 6,5x12,5x1,2 UNI 6592	
*			19	312.15060	4	Nut M6 UNI 5588	



A1 592.65416 - CILINDRO DI RETRO PER ACES
 592.65416 - ACES HYDRAULIC REVERSING SYSTEM RAM

240HCT.30/00

GROUP			ITEM	PART NUMBER	Q.TY	DESCRIPTION	Notes
A	B	C					
A1				592.65448	1	ACES Reversing System Hydraulic Ram Base Assembly	
*			1	311.55074	4	Allen Screw M5x100 UNI 5931	
*			2	300.40018	13	Plug 1/8" GAS	
*			3	572.67238	1	ACES Reversing System Hydraulic Cylinder Base	
*			4	500.00571	1	Relief Valve 50 bar	
*			5	381.10680	2	O-Ring 108 diam. 8,73x1,78	

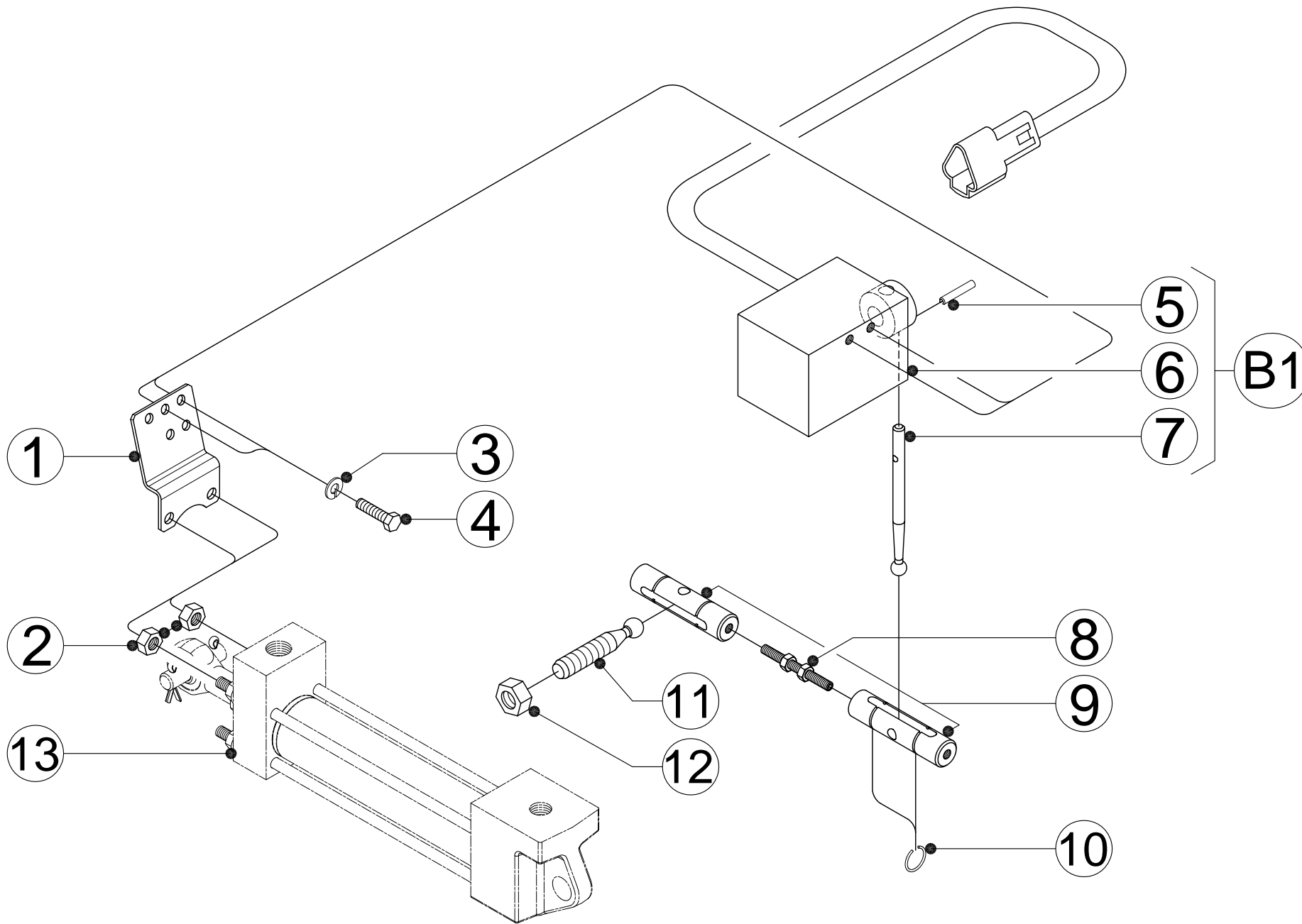


A1

592.65448 - BASE COMPL. PER CILINDRO DI RETRO ACES
 592.65448 - ACES REVERSING SYSTEM HYDRAULIC RAM BASE ASSEMBLY

240HCT.31/00

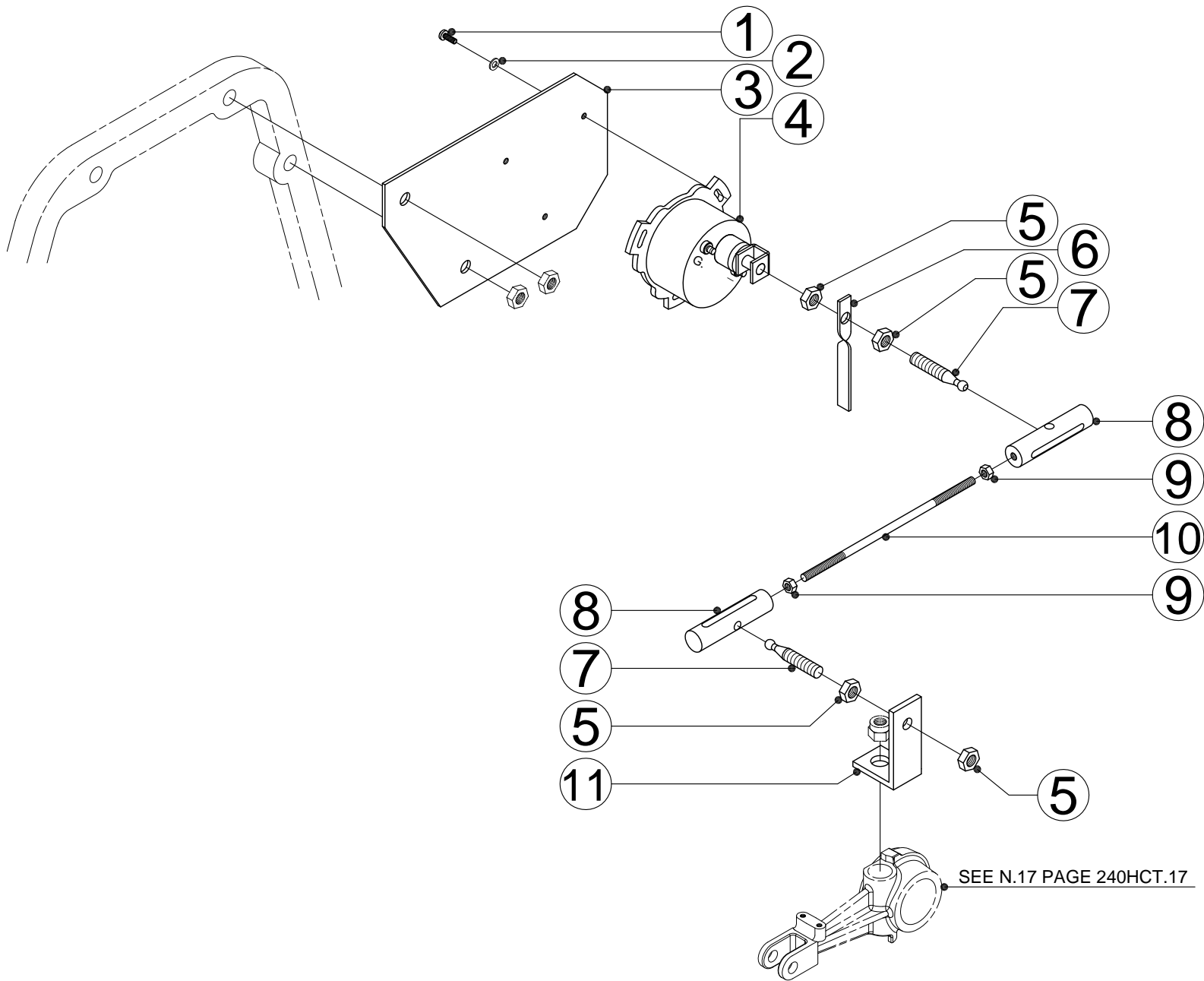
GROUP			ITEM	PART NUMBER	Q.TY	DESCRIPTION	Notes
A	B	C					
A1				592.65588	1	Hydraulic Steering Ram with ACES Potentiometer	
*	B1			592.65451	1	Potentiometer for ACES OX=69	
	*		5	342.11027	1	Spring Pin diam.3x18 UNI 6873	
	*		6	592.66188	1	ACES Potentiometer	
	*		7	566.64216	1	Potentiometer Control Lever	
*			1	566.65425	1	Transducer Support	
*			2	312.15060	2	Nut M6 UNI 5588	
*			3	314.91078	2	Spring Washer A5,3 UNI1751	
*			4	311.15077	2	Hexagonal-Head Screw M5x10 UNI 5739	
*			8	590.66354	1	Connecting Rod L=17	
*			9	573.16689	2	Joint	
*			10	580.66353	4	Joint Spring Ring	
*			11	566.63268	1	Pin	
*			12	312.35080	1	Torque-Type Hex. Nut M8 UNI 5589	
*			13	592.64138	1	Hydraulic Steering Ram for Vetus, Seastar and Danfoss	SEE PAGE 240HCT.23



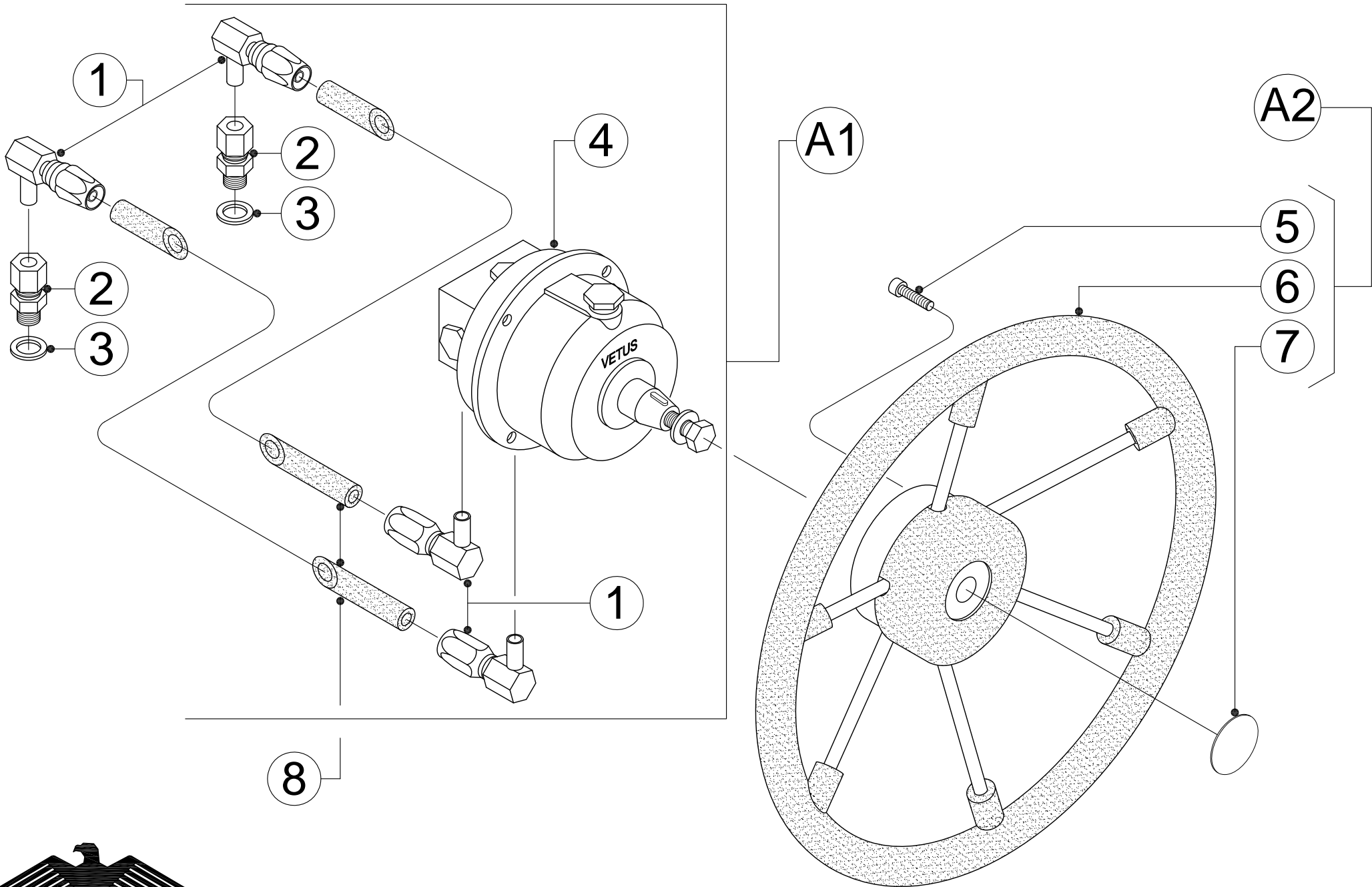
A1 592.65588 - CILINDRO STERZO con TRASDUTTORE ACES
 592.65588 - HYDRAULIC STEERING RAM with ACES POTENTIOMETER

240HCT.32/00

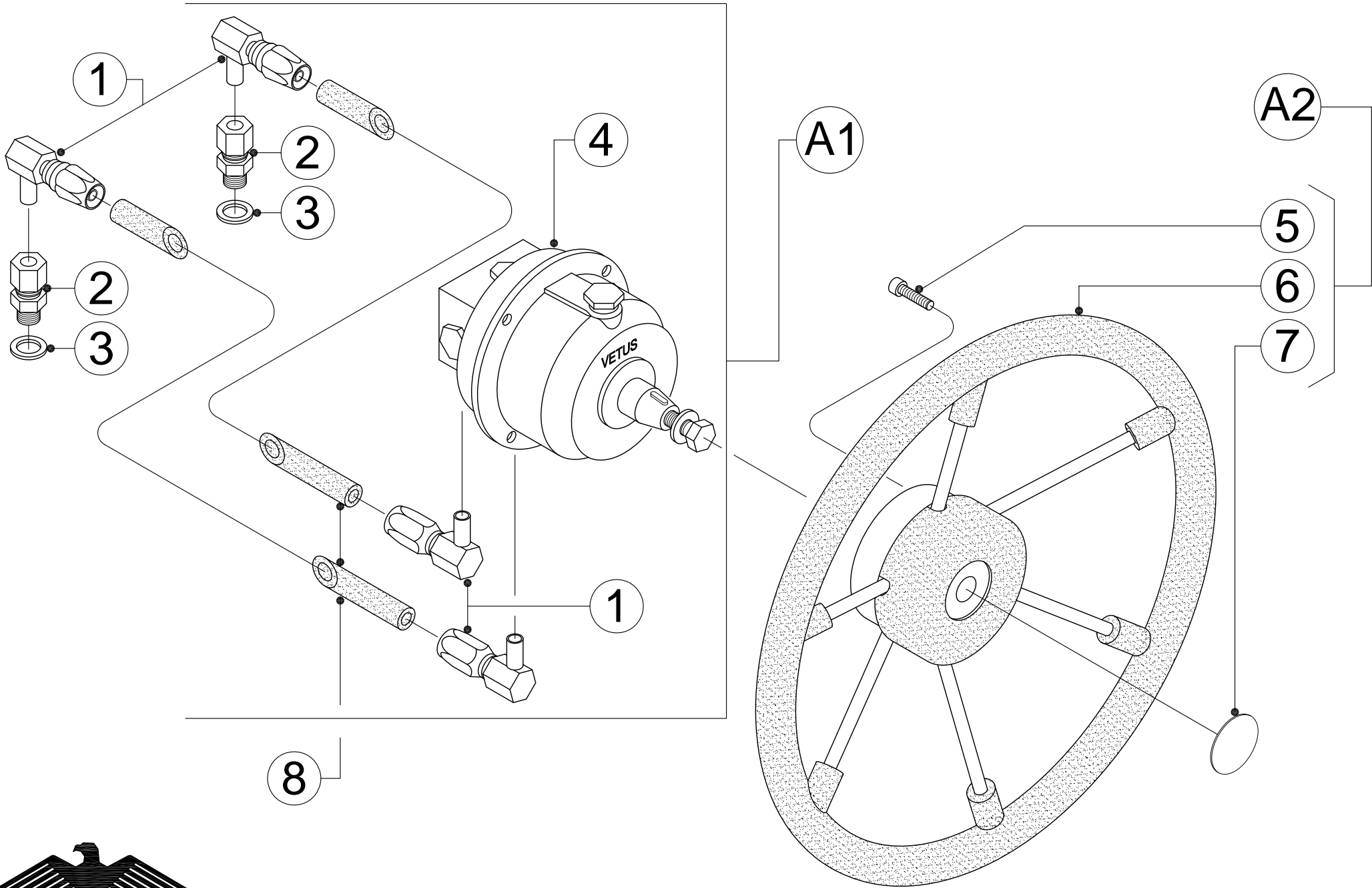
GROUP			ITEM	PART NUMBER	Q.TY	DESCRIPTION	Notes
A	B	C					
A1				595.65392	1	VDO Indicator Assembly	
*			1	311.65006	3	Cross Recessed Screw M4x12 UNI 7687	
*			2	314.90040	3	Plain Washer 4,3 UNI 6592	
*			3	566.65456	1	VDO Transducer Support	
*			4	300.00625	1	VDO Transducer	
*			5	312.35080	4	Torque-Type Hex. Nut M8 UNI 5589	
*			6	566.16497	1	Transducer Lever	
*			7	566.63268	2	Pin	
*			8	573.16689	2	Joint	
*			9	312.15050	2	Nut M5 UNI 5588	
*			10	566.63462	1	Tie Rod M5x35	
*			11	566.65361	1	VDO Transducer Arm Support	



GROUP			ITEM	PART NUMBER	Q.TY	DESCRIPTION	Notes
A	B	C					
A1				595.00870	1	Vetus Hydraulic Steering System 30cc	
*			1	300.00774	4	Elbow 90° Vetus	
*			2	300.00773	2	Hose Fitting	
*			3	314.80145	2	Washer 14x20x1,5	
*			4	300.00566	1	Vetus Hydraulic Steering Pump 30cc	
A2				500.11368	1	Steering Wheel Assembly	
*			5	311.55062	6	Allen Screw M6x25 UNI 5931	
*			6	300.02024	1	Steering Wheel d.340	
*			7	580.19917	1	Steering Wheel Logo Plate	
			8	133.00018	2	Pipe	



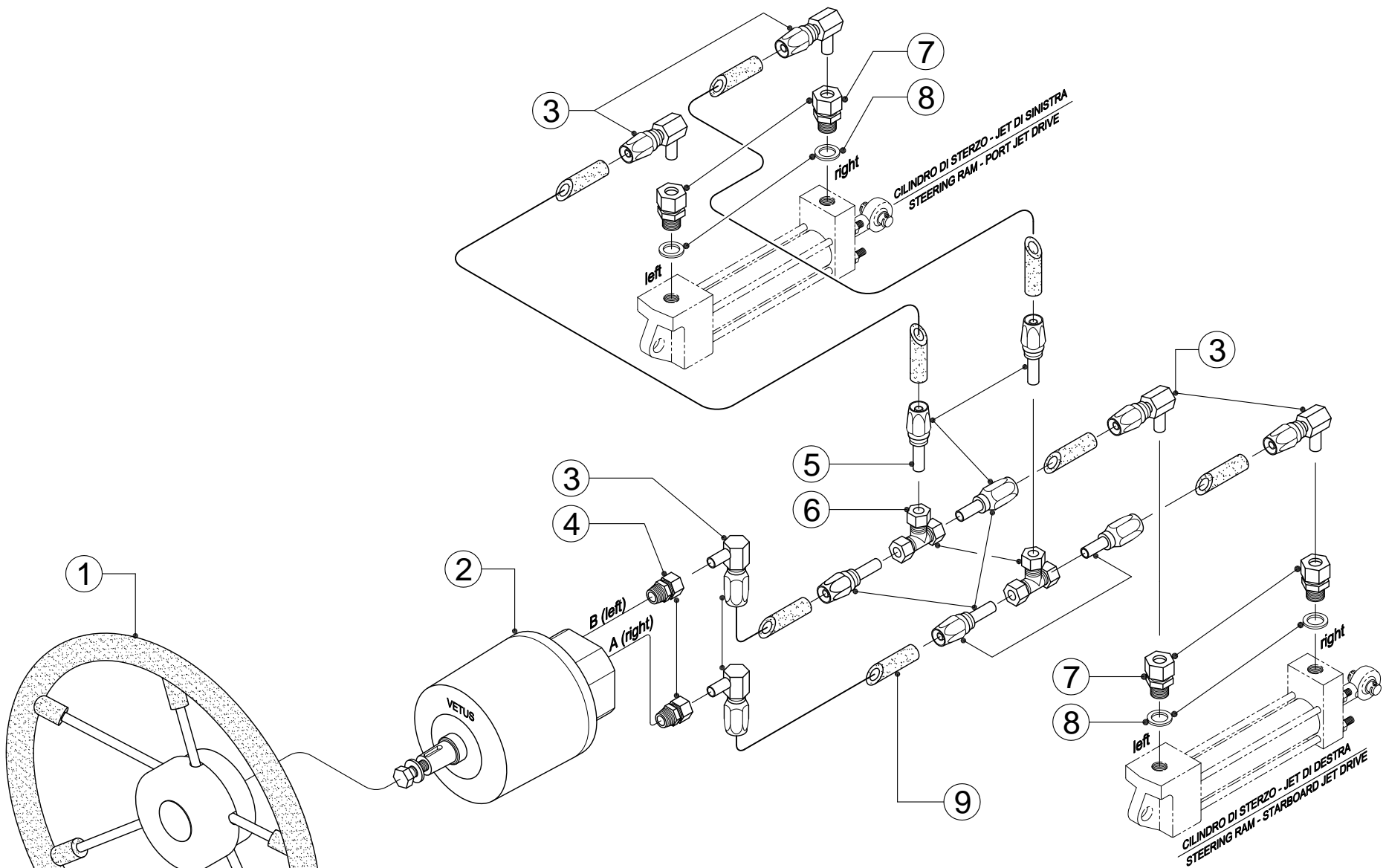
GROUP			ITEM	PART NUMBER	Q.TY	DESCRIPTION	Notes
A	B	C					
A1				595.00865	1	Vetus Hydraulic Steering System 42cc	
*			1	300.00774	4	Elbow 90° Vetus	
*			2	300.00773	2	Hose Fitting	
*			3	314.80145	2	Washer 14x20x1,5	
*			4	300.00558	1	Vetus Hydraulic Steering Pump 42cc	
A2				500.11368	1	Steering Wheel Assembly	
*			5	311.55062	6	Allen Screw M6x25 UNI 5931	
*			6	300.02024	1	Steering Wheel d.340	
*			7	580.19917	1	Steering Wheel Logo Plate	
			8	133.00018	2	Pipe	



SINGOLA INSTALLAZIONE IDROGUIDA VETUS 42 cc/rev
 SINGLE INSTALLATION VETUS STEERING CONTROL 42 cc/rev

240HCT.35/00

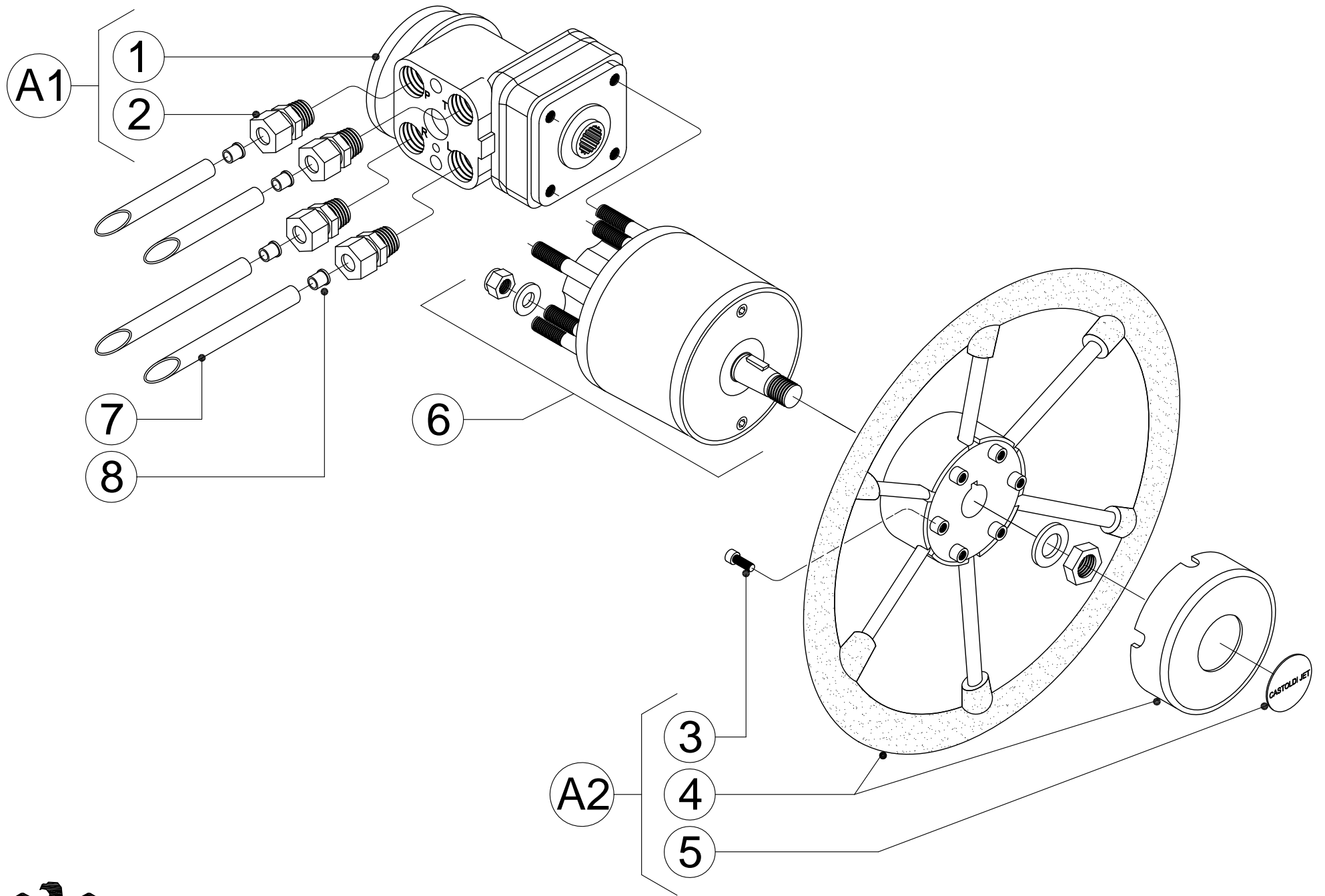
GROUP			ITEM	PART NUMBER	Q.TY	DESCRIPTION	Notes
A	B	C					
			1	500.11368	1	Steering Wheel Assembly	
			2	300.00558	1	Vetus Hydraulic Steering Pump 42cc	
			3	300.00774	6	Elbow 90° Vetus	
			4	300.02043	2	Hose Fitting	
			5	300.00753	6	Vetus Hose Fitting	
			6	300.00772	2	Hose fitting	
			7	300.00773	4	Hose Fitting	
			8	314.80145	4	Washer 14x20x1,5	
			9	133.00018	6	Pipe	



DOPPIA INSTALLAZIONE IDROGUIDA VETUS 42 cc
 TWIN INSTALLATION VETUS STEERING CONTROL 42 cc

240HCT.36/00

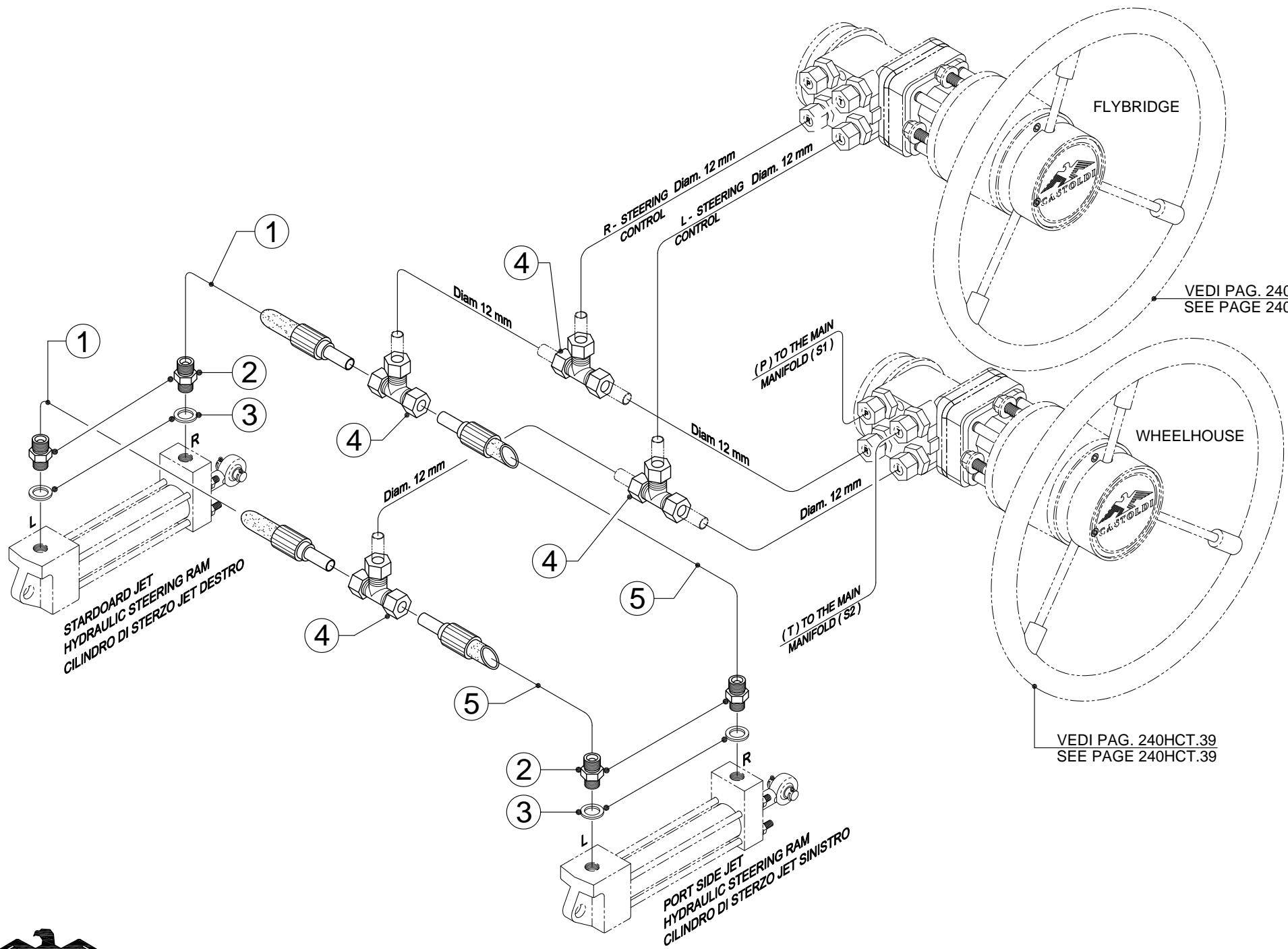
GROUP			ITEM	PART NUMBER	Q.TY	DESCRIPTION	Notes
A	B	C					
A1				595.00866	1	Danfoss Hydraulic Steering System 80cc Assembly	
*			1	300.00292	1	Danfoss Hydraulic Steering System 80cc	
*			2	300.00215	4	Straight Fitting 1/2x12 GAS	
A2				500.11368	1	Steering Wheel Assembly	
*			3	311.55062	6	Allen Screw M6x25 UNI 5931	
*			4	300.02024	1	Steering Wheel d.340	
*			5	580.10117	1	Steering Wheel Logo Plate	
			6	592.11320	1	Hydraulic Power Steering Wheel Support Assembly	SEE PAGE 490HCT.58
			7	113.00415	4	Pipe	
			8	300.00388	4	Bush	



SINGOLA INSTALLAZIONE CON TIMONERIA IDRAULICA DANFOSS 80cc/giro
 SINGLE INSTALLATION DANFOSS HYDRAULIC STEERING CONTROL 80 cc/rev

240HCT.37/00

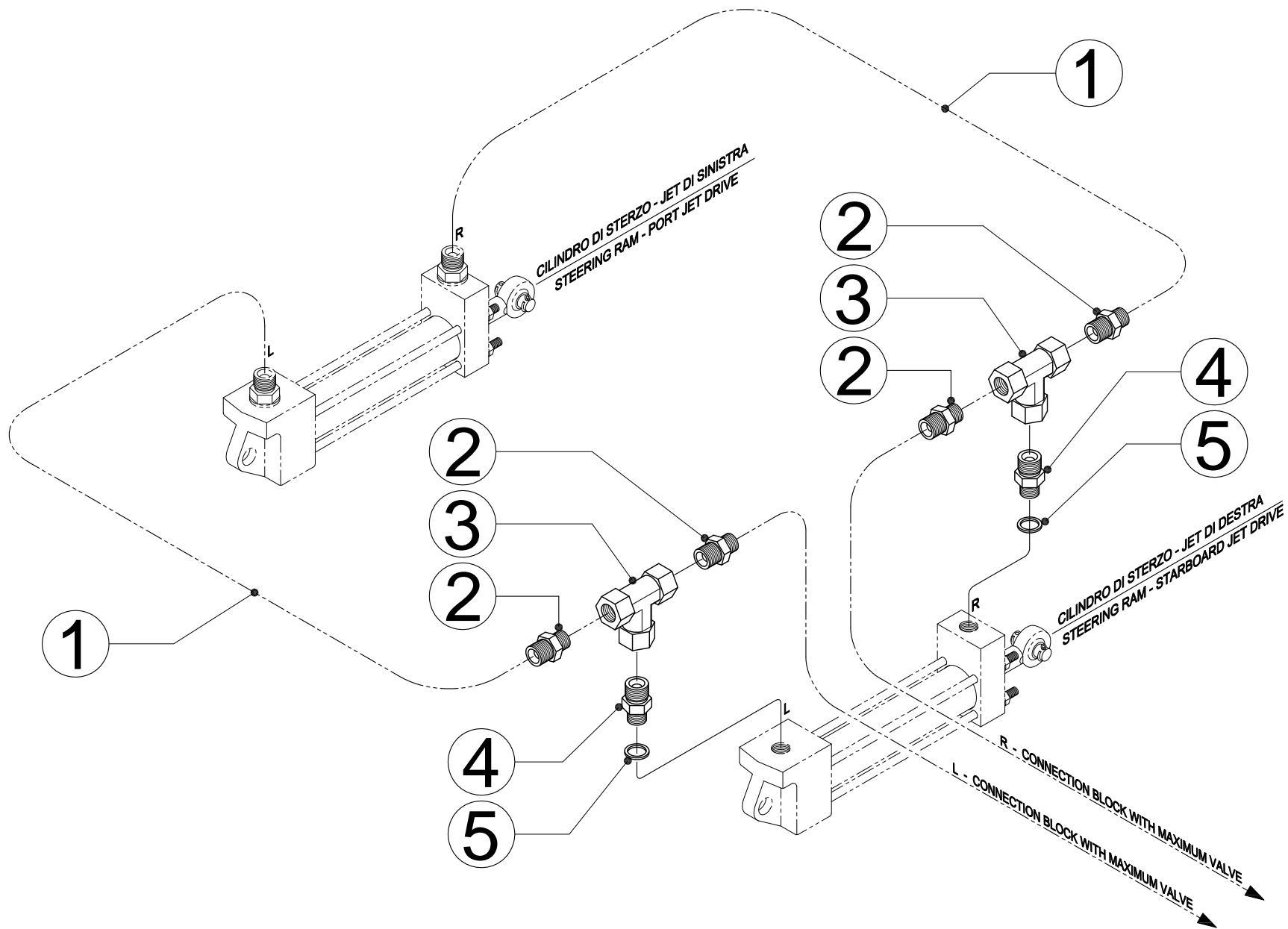
GROUP			ITEM	PART NUMBER	Q.TY	DESCRIPTION	Notes
A	B	C					
			1	580.67199	2	Hose L=1000	
			2	300.00214	4	Reduction Nipple M16x1,5 - M14x1,5	
			3	380.00335	4	Bonded Gasket 14	
			4	300.00208	4	Hose Fitting	
			5	580.67198	2	Hose L=2000	



DOPPIO PONTE - TIMONERIA IDRAULICA DANFOSS 80 cc/giro
 TWIN STATION - DANFOSS HYDRAULIC STEERING CONTROL 80 cc/rev

240HCT.38/00

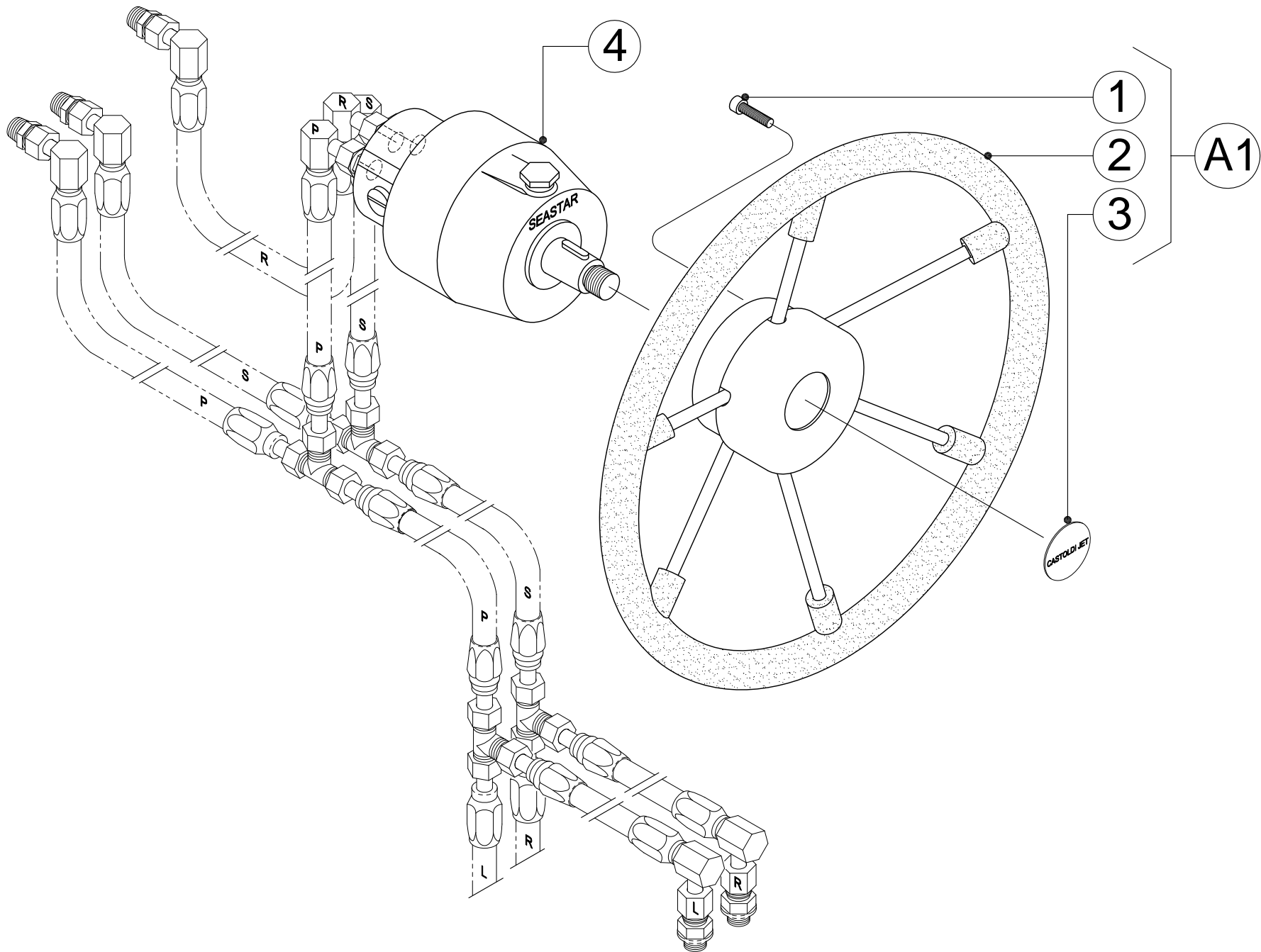
GROUP			ITEM	PART NUMBER	Q.TY	DESCRIPTION	Notes
A	B	C					
*			1	580.63255	2	Hose K-K L=2400	
*			2	300.00810	4	Nipple M16x1,5 - 3/8" GAS	
*			3	300.00780	2	Tee Pipe Fitting 3/8" GAS	
*			4	300.04043	2	Nipple 3/8" GAS - M14x1,5	
*			5	380.00335	2	Bonded Gasket 14	



DOPPIA INSTALLAZIONE IDROGUIDA DANFOSS 80 cc
 TWIN INSTALLATION DANFOSS STEERING CONTROL 80 cc

240HCT.39/00

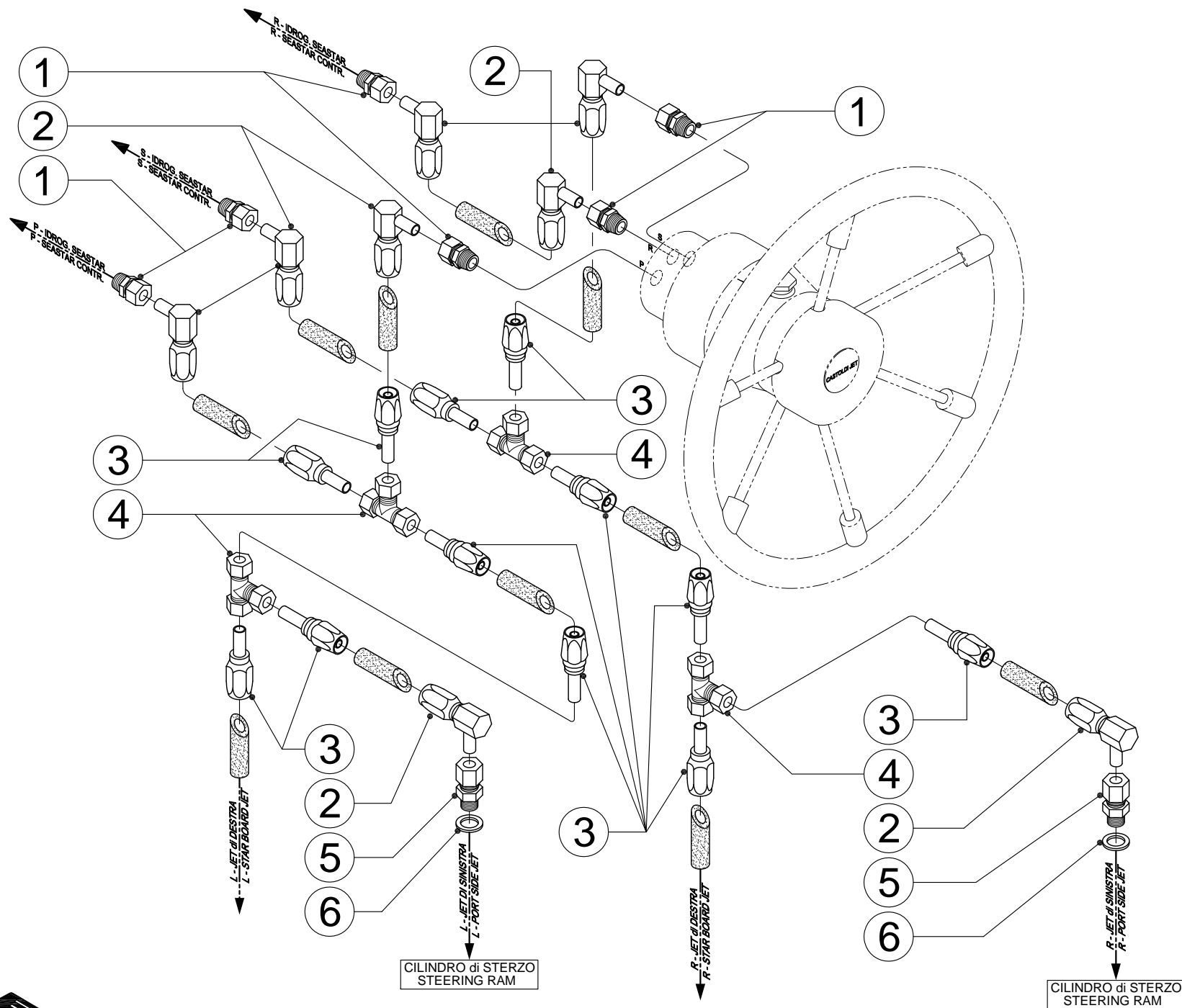
GROUP			ITEM	PART NUMBER	Q.TY	DESCRIPTION	Notes
A	B	C					
A1				500.11368	1	Steering Wheel Assembly	
*			1	311.55062	6	Allen Screw M6x25 UNI 5931	
*			2	300.02024	1	Steering Wheel d.340	
*			3	580.19917	1	Steering Wheel Logo Plate	
			4	300.00561	1	Seastar Hydraulic Steering Control 39,3 cc	



DOPPIA INSTALL. - DOPPIO PONTE TIMONERIA IDRAULICA SEASTAR 39,3 cc/giro
 DOUBLE INSTALL. - DOUBLE LINK SEASTAR HYDRAULIC STEERING CONTROL 39,3 cc/rev

240HCT.40/00

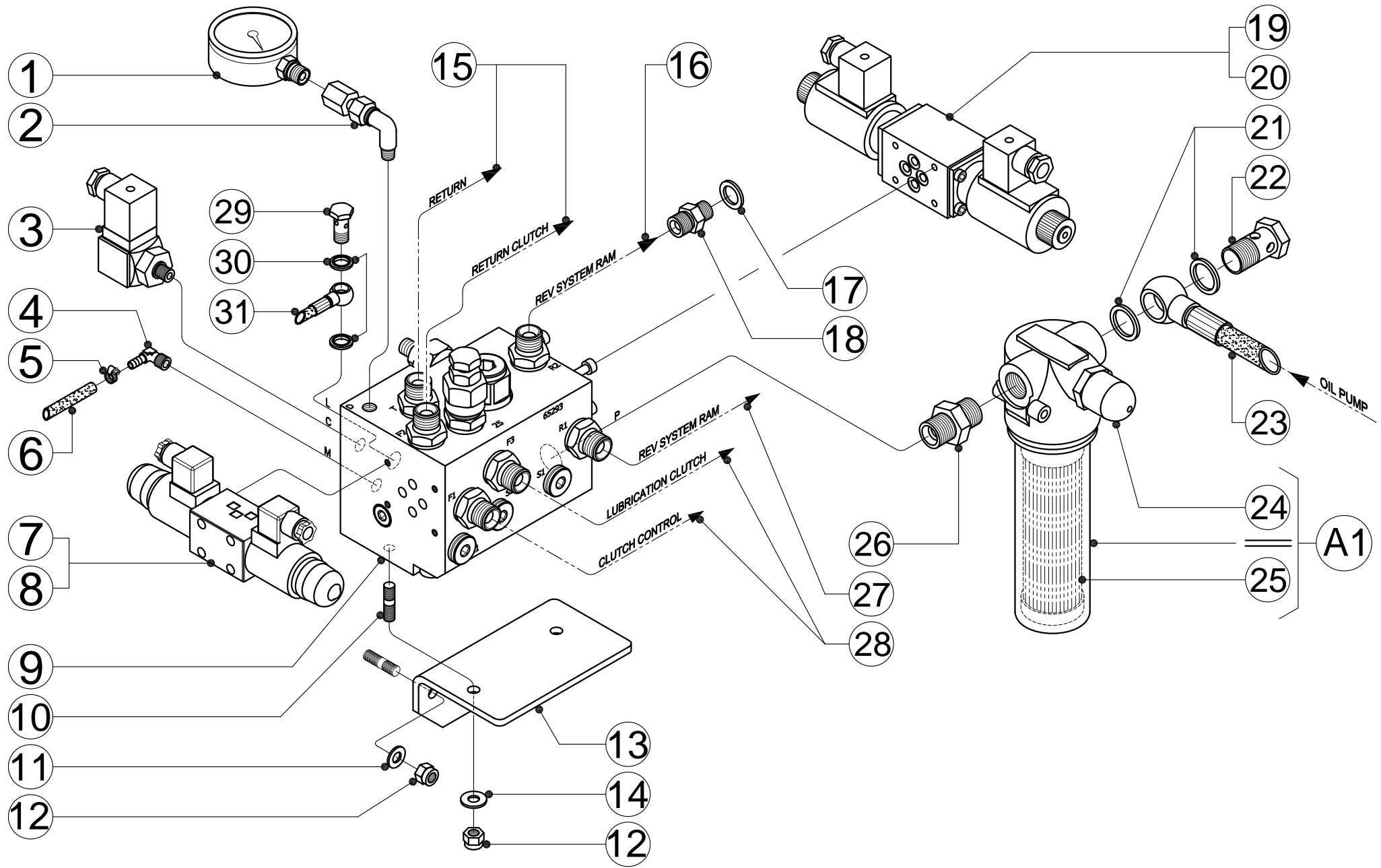
GROUP			ITEM	PART NUMBER	Q.TY	DESCRIPTION	Notes
A	B	C					
A1				596.00455	1	Twin Pilot Station with Seastar Steering Control	
*			1	300.02043	6	Hose Fitting	
*			2	300.00774	10	Elbow 90° Vetus	
*			3	300.00753	12	Vetus Hose Fitting	
*			4	300.00772	4	Hose fitting	
*			5	300.00773	4	Hose Fitting	
*			6	314.80145	4	Washer 14x20x1,5	



A1 596.00455 - DOPPIO PONTE CON IDROGUIDA SEASTAR
 596.00455 - TWIN PILOT STATION WITH SEASTAR STEERING CONTROL

240HCT.41/00

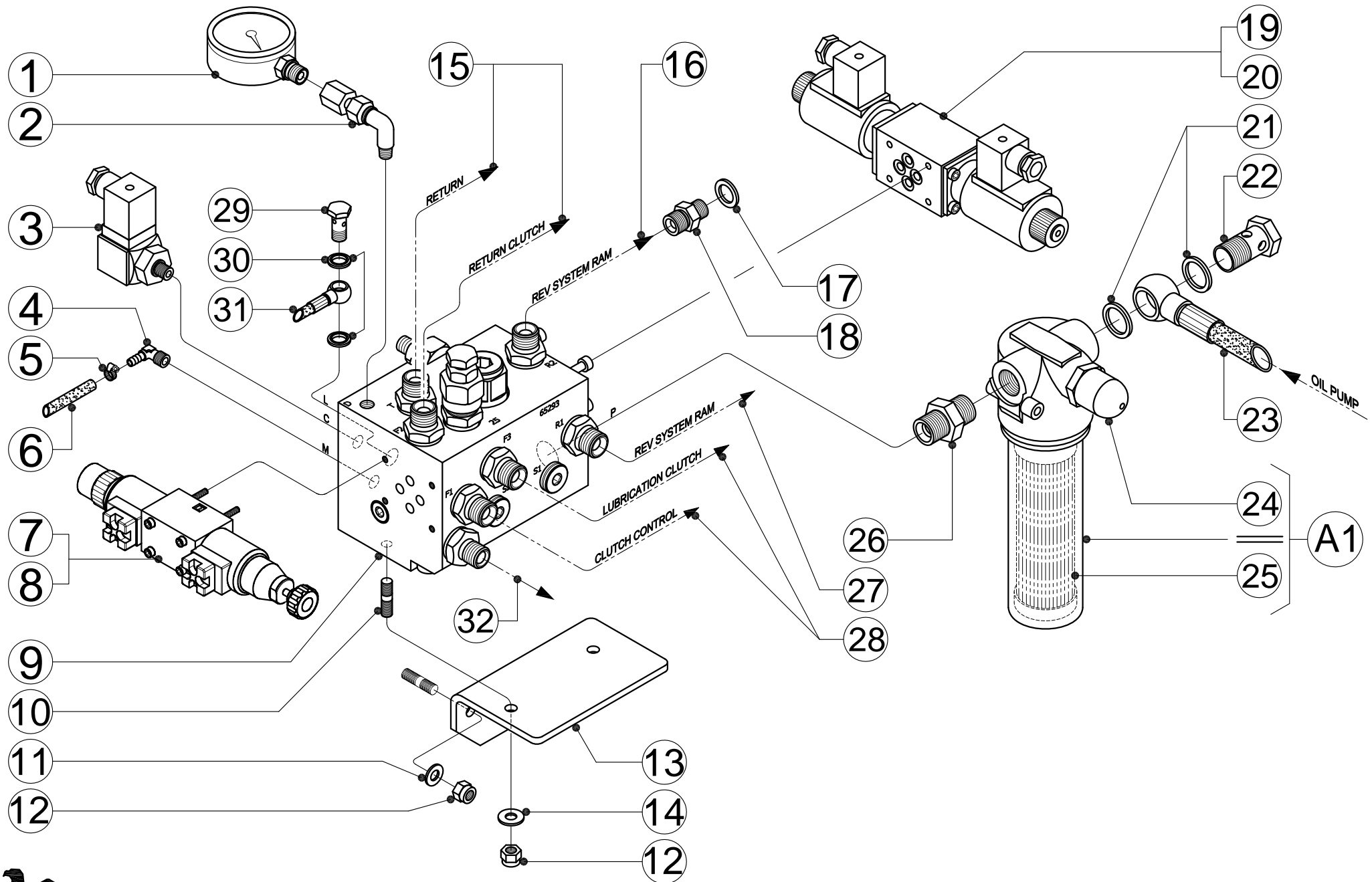
GROUP			ITEM	PART NUMBER	Q.TY	DESCRIPTION	Notes
A	B	C					
A1				300.00455	1	Oil Filter MP	
*			24	300.00572	1	Electrical-Visual Indicator	
*			25	300.00456	1	Filter Cartridge	
			1	300.00752	1	Pressure Gauge	
			2	300.04041	1	Fitting for Pressure Gauge	
			3	300.00811	1	Clutch Pressure Switch	
			4	300.00227	2	Elbow 90° 1/8" GAS for Ø6 Hose	
			5	300.21006	2	Hose Clamp d. 7÷11	
			6	573.65122	1	Oil Pump Lubrication Hose	
			7	500.00145	1	Solenoid Valve 12 V	SEE PAGE 340.47
			8	500.00142	1	Solenoid Valve 24 V	SEE PAGE 340.47
			9	592.65322	1	Clutch, EE/HY Reversing System and Vetus Steering Base Assembly for Standard Version	SEE PAGE 240HCT.57
			10	313.15074	2	Stud Bolt M8x30x14x11	
			11	314.15080	3	Plain Washer 8,4x14 UNI 6592	
			12	312.45080	5	Torque-Type Hex. Nut M8 UNI 7474	
			13	580.19230	1	Clutch and Grid Hydraulic Base Assembly Support	
			14	314.21260	2	Schnorr Spring Washer 8 Fst DIN 6796	
			15	580.16626	2	Hose B-K L=800	
			16	580.16442	1	Hose A-K L=540	
			17	380.00335	4	Bonded Gasket 14	
			18	300.00214	2	Reduction Nipple M16x1,5 - M14x1,5	
			19	300.00151	1	Solenoid Valve 12 V	SEE PAGE 340.50
			20	300.00150	1	Solenoid Valve 24 V	SEE PAGE 340.50
			21	380.00327	4	Bonded Gasket 1/2" GAS	
			22	300.00849	2	Grub Screw 1/2" GAS	
			23	580.19229	1	Oil Pump Hose L=550	
			26	300.00762	1	Nipple 1/2" GAS	
			27	580.63326	1	Oil Pump K-K Hose L=560	
			28	580.63251	2	Hose K-K L=650	
			29	300.00733	2	Grub Screw 1/4" GAS	
			30	380.00325	4	Bonded Gasket 1/4" GAS	
			31	580.65610	1	Hose B-B L=700	



SINGOLA INSTAL. STERZO VETUS/SEASTAR E RETRO EE/HY (VERSIONE STANDARD)

SINGLE INSTAL. VETUS/SEASTAR STEERING AND EE/HY REVERSING SYSTEM (STANDARD VERSION) 240HCT.42/00

GROUP			ITEM	PART NUMBER	Q.TY	DESCRIPTION	Notes
A	B	C					
A1				300.00455	1	Oil Filter MP	
*			24	300.00572	1	Electrical-Visual Indicator	
*			25	300.00456	1	Filter Cartridge	
			1	300.00752	1	Pressure Gauge	
			2	300.04041	1	Fitting for Pressure Gauge	
			3	300.00811	1	Clutch Pressure Switch	
			4	300.00227	2	Elbow 90° 1/8" GAS for Ø6 Hose	
			5	300.21006	2	Hose Clamp d. 7÷11	
			6	573.65122	1	Oil Pump Lubrication Hose	
			7	500.00138	1	Solenoid Valve 14 V	SEE PAGE 340.52
			8	500.00548	1	Solenoid Valve 28 V	SEE PAGE 340.52
			9	592.65551	1	Clutch, EE/HY Reversing System and Vetus Steering Base Assembly for Clear Duct Version	SEE PAGE 240HCT.60
			10	313.15074	2	Stud Bolt M8x30x14x11	
			11	314.15080	3	Plain Washer 8,4x14 UNI 6592	
			12	312.45080	5	Torque-Type Hex. Nut M8 UNI 7474	
			13	580.19230	1	Clutch and Grid Hydraulic Base Assembly Support	
			14	314.21260	2	Schnorr Spring Washer 8 Fst DIN 6796	
			15	580.16626	2	Hose B-K L=800	
			16	580.16442	1	Hose A-K L=540	
			17	380.00335	4	Bonded Gasket 14	
			18	300.00214	2	Reduction Nipple M16x1,5 - M14x1,5	
			19	300.00151	1	Solenoid Valve 12 V	SEE PAGE 340.50
			20	300.00150	1	Solenoid Valve 24 V	SEE PAGE 340.50
			21	380.00327	4	Bonded Gasket 1/2" GAS	
			22	300.00849	2	Grub Screw 1/2" GAS	
			23	580.19229	1	Oil Pump Hose L=550	
			26	300.00762	1	Nipple 1/2" GAS	
			27	580.63326	1	Oil Pump K-K Hose L=560	
			28	580.63251	2	Hose K-K L=650	
			29	300.00733	2	Grub Screw 1/4" GAS	
			30	380.00325	4	Bonded Gasket 1/4" GAS	
			31	580.65610	1	Hose B-B L=700	
			32	580.67323	1	Hose A-K L=560	

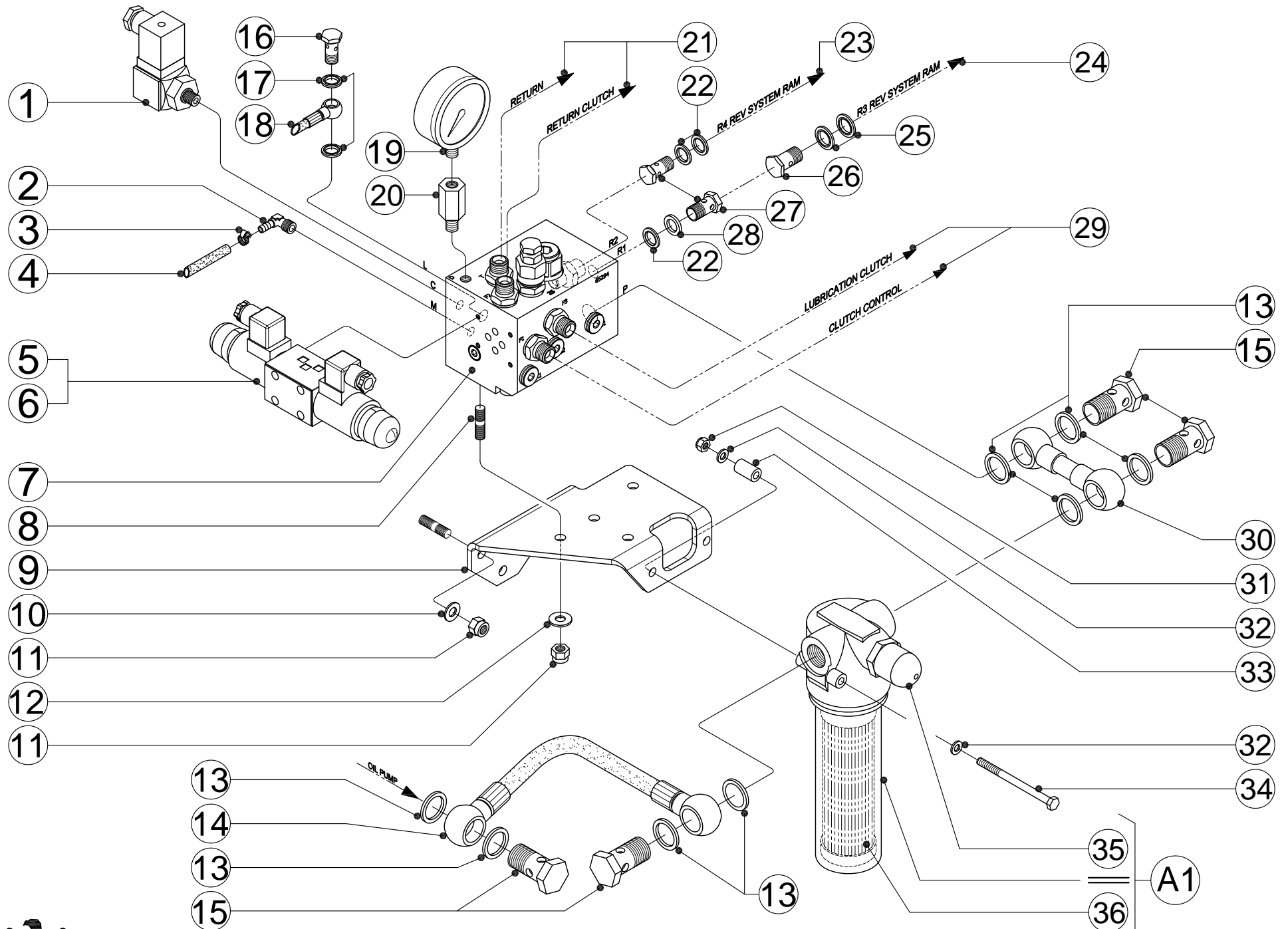


SINGOLA INSTAL. STERZO VETUS/SEASTAR E RETRO EE/HY (VERSIONE CLEAR DUCT)

SINGLE INSTAL. VETUS/SEASTAR STEERING AND EE/HY REVERSING SYSTEM (CLEAR DUCT VERSION)

240HCT.43/00

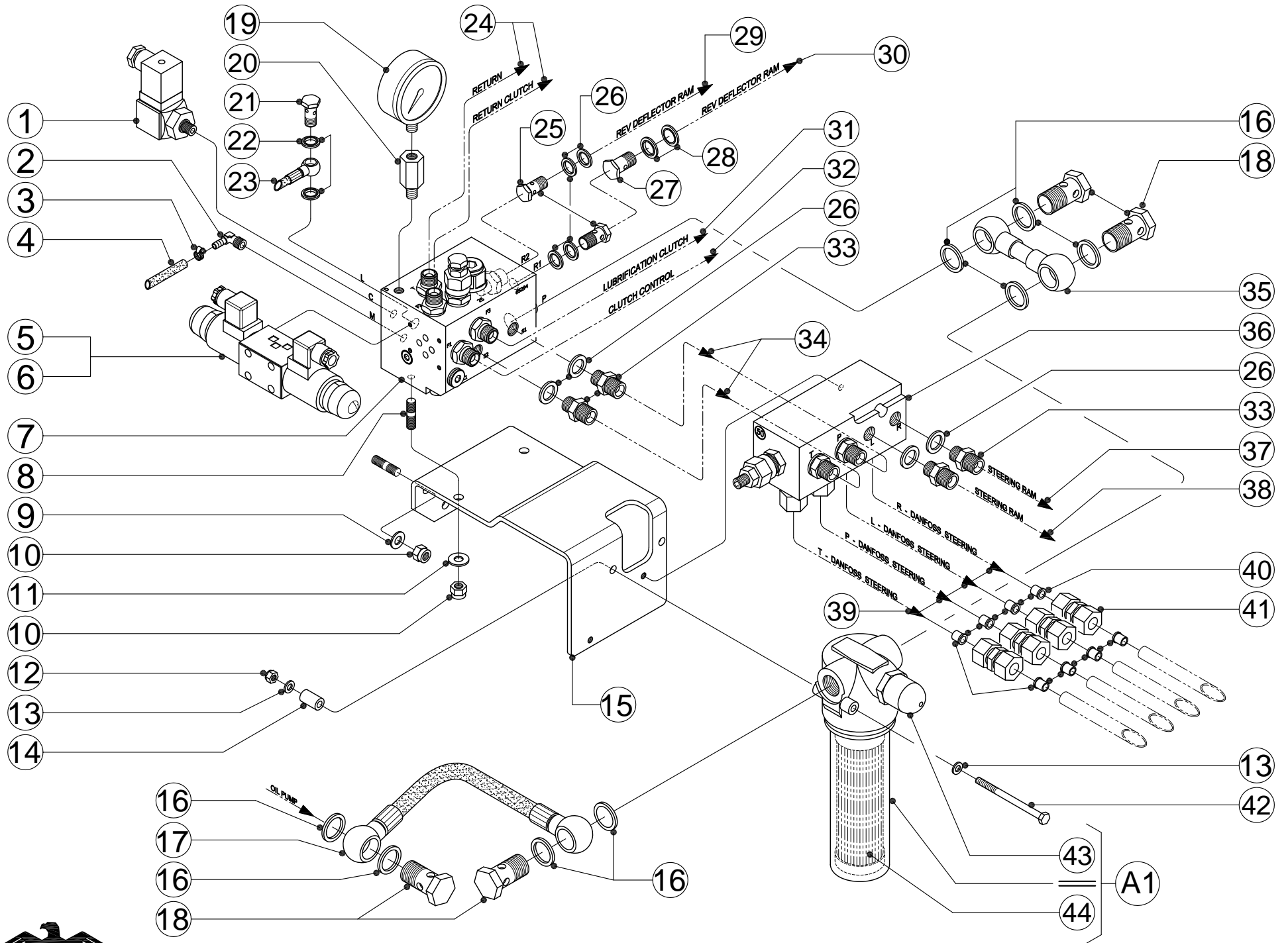
GROUP			ITEM	PART NUMBER	Q.TY	DESCRIPTION	Notes
A	B	C					
A1				300.00455	1	Oil Filter MP	
*			35	300.00572	1	Electrical-Visual Indicator	
*			36	300.00456	1	Filter Cartridge	
			1	300.00811	1	Clutch Pressure Switch	
			2	300.00227	2	Elbow 90° 1/8" GAS for Ø6 Hose	
			3	300.21006	2	Hose Clamp d. 7÷11	
			4	573.65122	1	Oil Pump Lubrication Hose	
			5	500.00145	1	Solenoid Valve 12 V	SEE PAGE 340.47
			6	500.00142	1	Solenoid Valve 24 V	SEE PAGE 340.47
			7	592.65296	1	Clutch, Hydromec and Steering Base Assembly for Standard Version	SEE PAGE 240HCT.55
			8	313.15074	2	Stud Bolt M8x30x14x11	
			9	566.65428	1	Base and Oil Filter Support	
			10	314.15080	3	Plain Washer 8,4x14 UNI 6592	
			11	312.45080	5	Torque-Type Hex. Nut M8 UNI 7474	
			12	314.21260	2	Schnorr Spring Washer 8 Fst DIN 6796	
			13	380.00327	8	Bonded Gasket 1/2" GAS	
			14	580.65309	1	Oil Pump Hose L=350	
			15	300.00849	4	Grub Screw 1/2" GAS	
			16	300.00733	2	Grub Screw 1/4" GAS	
			17	380.00325	4	Bonded Gasket 1/4" GAS	
			18	580.65610	1	Hose B-B L=700	
			19	300.00752	1	Pressure Gauge	
			20	300.04451	1	Fitting for Pressure Gauge	
			21	580.16626	2	Hose B-K L=800	
			22	380.00335	7	Bonded Gasket diam. 14	
			23	580.16547	1	Hose B-K L=550	
			24	580.67232	1	Hose B-B L=550	
			25	380.00336	2	Bonded Gasket diam. 16	
			26	566.67230	1	HYDROMEK Grub Screw	
			27	300.00840	2	Grub Screw M14 x 1,5	
			28	571.16730	1	Washer 14,5/22 x 3	
			29	580.63251	2	Hose K-K L=650	
			30	590.65308	1	Pipe	
			31	312.45060	2	Locknut M6 DIN 982	
			32	314.91065	4	Plain Washer 6,5x12,5x1,2 UNI 6592	
			33	566.65311	2	Spacer d.12 x 20	
			34	311.15104	2	Hexagonal-Head Screw M6 x 85 UNI 5737	



CASTOLDI SINGOLA INSTAL. VETUS o DOPPIA DANFOSS E RETRO HYDROMEC (Jet Sinistro) (VERSIONE STANDARD)
 SINGLE INSTAL. VETUS or TWIN DANFOSS AND HYDROMEC REVERSING SYSTEM (Portboard Jet) (STANDARD VERSION)

240HCT.44/00

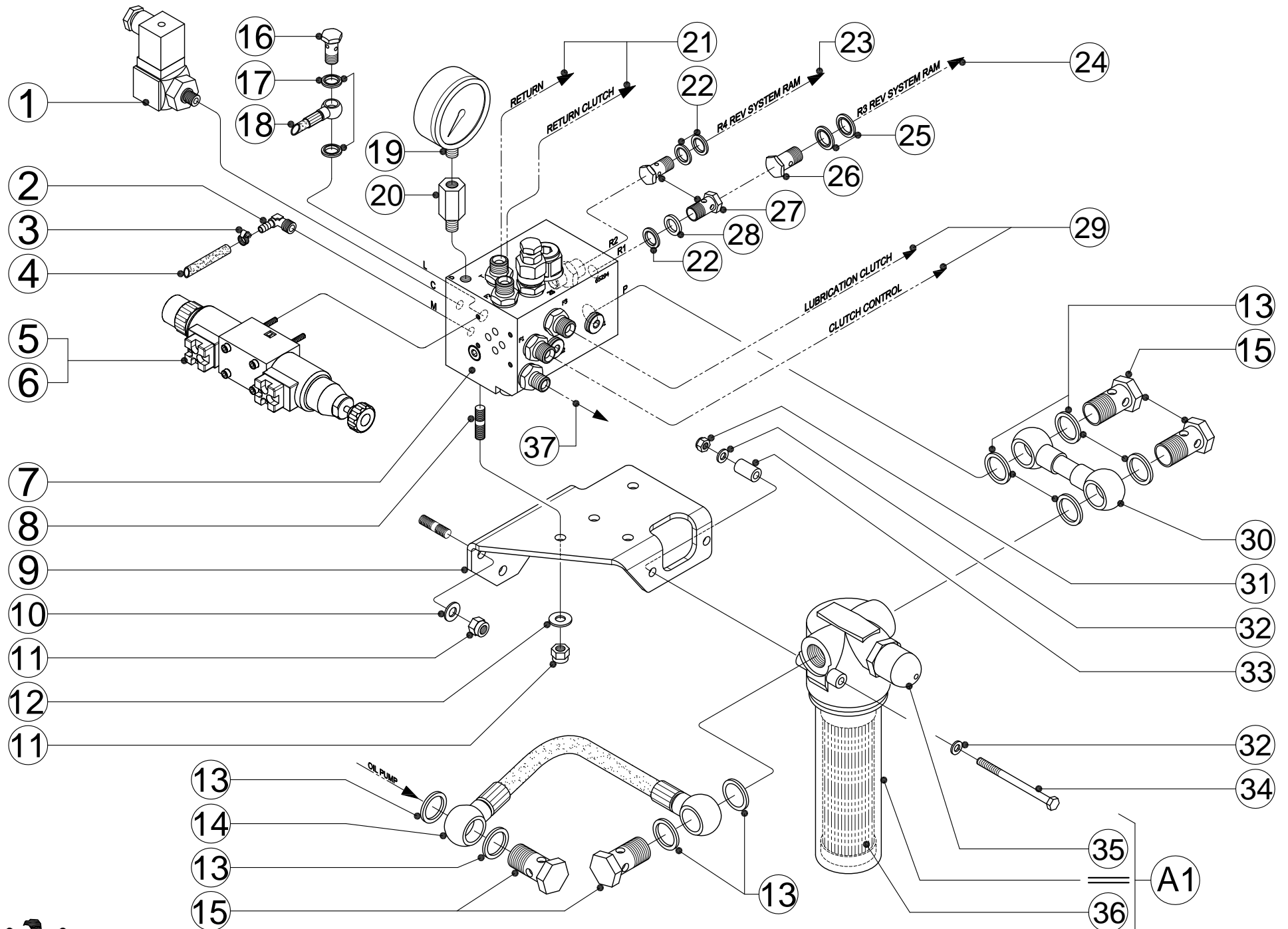
GROUP			ITEM	PART NUMBER	Q.TY	DESCRIPTION	Notes
A	B	C					
A1				300.00455	1	Oil Filter MP	
*			43	300.00572	1	Electrical-Visual Indicator	
*			44	300.00456	1	Filter Cartridge	
			1	300.00811	1	Clutch Pressure Switch	
			2	300.00227	2	Elbow 90° 1/8" GAS for Ø6 Hose	
			3	300.21006	2	Hose Clamp d. 7÷11	
			4	573.65122	1	Oil Pump Lubrication Hose	
			5	500.00145	1	Solenoid Valve 12 V	SEE PAGE 340.47
			6	500.00142	1	Solenoid Valve 24 V	SEE PAGE 340.47
			7	592.65312	1	Clutch, Hydromec and Danfoss Steering Base Assembly for Standard Version	SEE PAGE 240HCT.56
			8	313.15074	2	Stud Bolt M8x30x14x11	
			9	314.15080	3	Plain Washer 8,4x14 UNI 6592	
			10	312.45080	5	Torque-Type Hex. Nut M8 UNI 7474	
			11	314.21260	2	Schnorr Spring Washer 8 Fst DIN 6796	
			12	312.45060	2	Locknut M6 DIN 982	
			13	314.91065	4	Plain Washer 6,5x12,5x1,2 UNI 6592	
			14	566.65311	2	Spacer d.12 x 20	
			15	566.65306	1	Base, Manifold and Oil Filter Support	
			16	380.00327	8	Bonded Gasket 1/2" GAS	
			17	580.65309	1	Oil Pump Hose L=350	
			18	300.00849	4	Grub Screw 1/2" GAS	
			19	300.00752	1	Pressure Gauge	
			20	300.04451	1	Fitting for Pressure Gauge	
			21	300.00733	2	Grub Screw 1/4" GAS	
			22	380.00325	4	Bonded Gasket 1/4" GAS	
			23	580.65610	1	Hose B-B L=700	
			24	580.16626	2	Hose B-K L=800	
			25	300.00840	2	Grub Screw M14 x 1,5	
			26	380.00335	12	Bonded Gasket diam. 14	
			27	566.67230	1	HYDROMEK Grub Screw	
			28	380.00336	2	Bonded Gasket diam. 16	
			29	580.16547	1	Hose B-K L=550	
			30	580.67232	1	Hose B-B L=550	
			31	580.63251	1	Hose K-K L=650	
			32	580.63252	1	Hose K-K L=1000	
			33	300.00214	4	Reduction Nipple M16x1,5 - M14x1,5	
			34	580.16549	2	Hose L=350	
			35	590.65308	1	Pipe	
			36	592.65326	1	50 bar Manifold Assembly	SEE PAGE 240HCT.58
			37	580.65203	1	Hose L=500	
			38	580.65204	1	Hose L=340	
			39	580.16441	4	Hose L=800	
			40	300.00388	8	Bush	
			41	300.00041	4	Straight Fitting	
			42	311.15104	2	Hexagonal-Head Screw M6 x 85 UNI 5737	



SINGOLA o DOPPIA INSTAL. STERZO DANFOSS e RETRO HYDROMECH (Jet Destro) **(VERSIONE STANDARD)**
 SINGLE or TWIN INSTAL. DANFOSS STEERING AND HYDROMECH REVERSING SYSTEM (Starboard Jet) **(STANDARD VERSION)**

240HCT.45/00

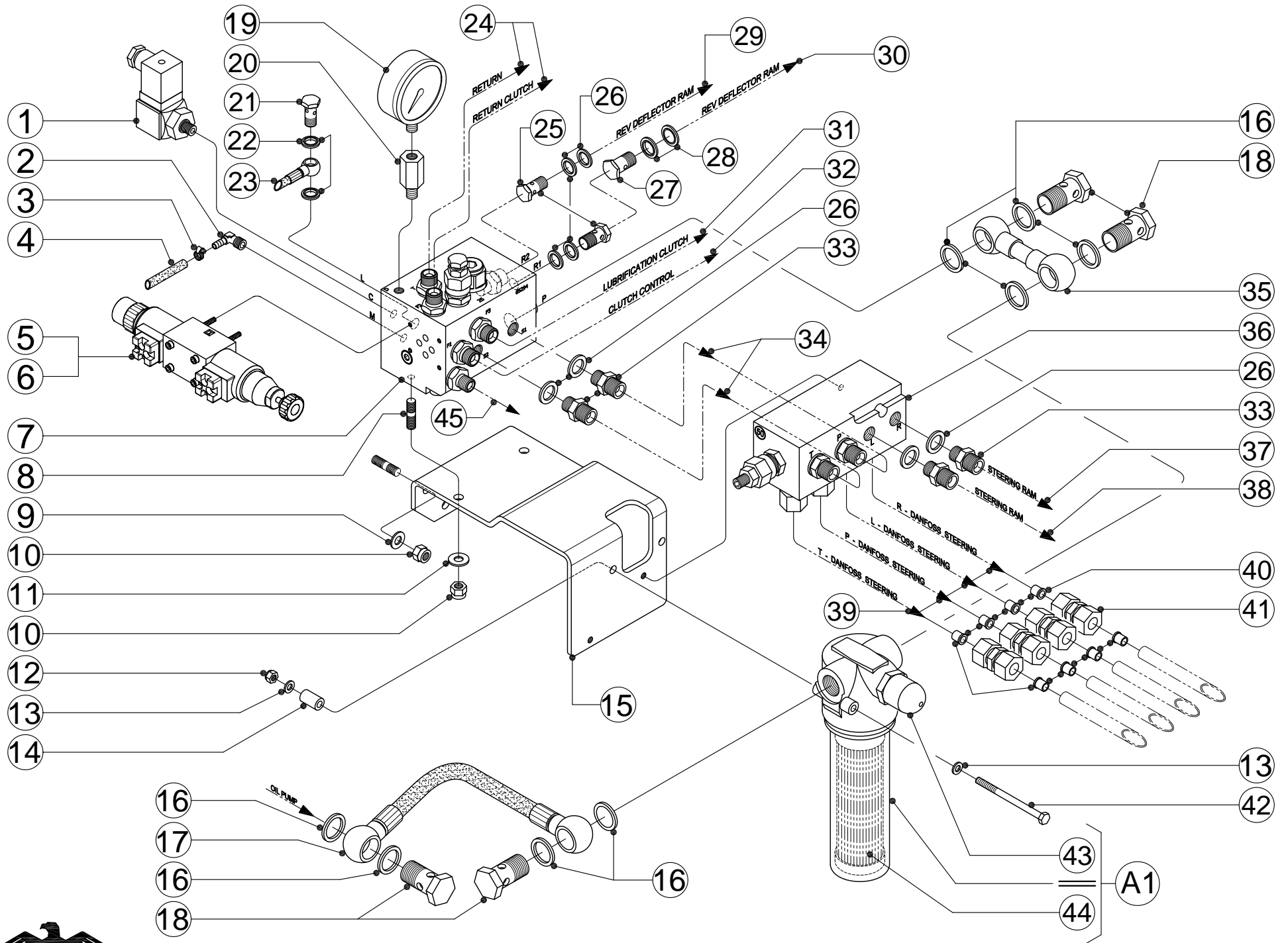
GROUP			ITEM	PART NUMBER	Q.TY	DESCRIPTION	Notes
A	B	C					
A1				300.00455	1	Oil Filter MP	
*			35	300.00572	1	Electrical-Visual Indicator	
*			36	300.00456	1	Filter Cartridge	
			1	300.00811	1	Clutch Pressure Switch	
			2	300.00227	2	Elbow 90° 1/8" GAS for Ø6 Hose	
			3	300.21006	2	Hose Clamp d. 7÷11	
			4	573.65122	1	Oil Pump Lubrication Hose	
			5	500.00138	1	Solenoid Valve 14 V	SEE PAGE 340.52
			6	500.00548	1	Solenoid Valve 28 V	SEE PAGE 340.52
			7	592.65553	1	Clutch, Hydromec and Steering Base Assembly for Clear Duct Version	SEE PAGE 240HCT.62
			8	313.15074	2	Stud Bolt M8x30x14x11	
			9	566.65428	1	Base and Oil Filter Support	
			10	314.15080	3	Plain Washer 8,4x14 UNI 6592	
			11	312.45080	5	Torque-Type Hex. Nut M8 UNI 7474	
			12	314.21260	2	Schnorr Spring Washer 8 Fst DIN 6796	
			13	380.00327	8	Bonded Gasket 1/2" GAS	
			14	580.65309	1	Oil Pump Hose L=350	
			15	300.00849	4	Grub Screw 1/2" GAS	
			16	300.00733	2	Grub Screw 1/4" GAS	
			17	380.00325	4	Bonded Gasket 1/4" GAS	
			18	580.65610	1	Hose B-B L=700	
			19	300.00752	1	Pressure Gauge	
			20	300.04451	1	Fitting for Pressure Gauge	
			21	580.16626	2	Hose B-K L=800	
			22	380.00335	7	Bonded Gasket diam. 14	
			23	580.16547	1	Hose B-K L=550	
			24	580.67232	1	Hose B-B L=550	
			25	380.00336	2	Bonded Gasket diam. 16	
			26	566.67230	1	HYDROMEC Grub Screw	
			27	300.00840	2	Grub Screw M14 x 1,5	
			28	571.16730	1	Washer 14,5/22 x 3	
			29	580.63251	2	Hose K-K L=650	
			30	590.65308	1	Pipe	
			31	312.45060	2	Locknut M6 DIN 982	
			32	314.91065	4	Plain Washer 6,5x12,5x1,2 UNI 6592	
			33	566.65311	2	Spacer d.12 x 20	
			34	311.15104	2	Hexagonal-Head Screw M6 x 85 UNI 5737	
			37	580.67323	1	Hose A-K L=560	



CASTOLDI SINGOLA INSTAL. VETUS o DOPPIA DANFOSS E RETRO HYDROMEC (Jet Sinistro) (VERSIONE CLEAR DUCT)
 SINGLE INSTAL. VETUS or TWIN DANFOSS AND HYDROMEC REVERSING SYSTEM (Portboard Jet) (CLEAR DUCT VERSION)

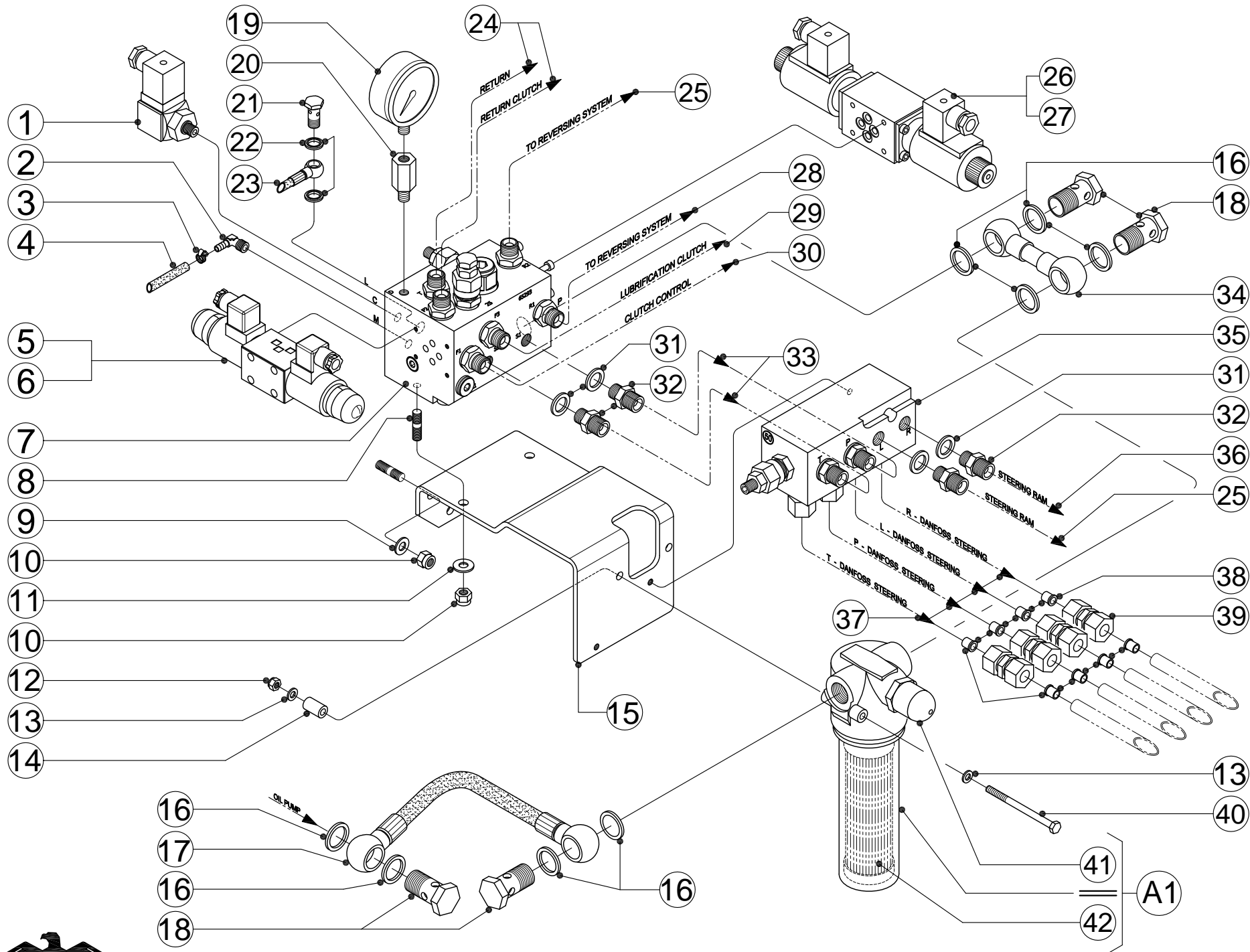
240HCT.46/00

GROUP			ITEM	PART NUMBER	Q.TY	DESCRIPTION	Notes
A	B	C					
A1				300.00455	1	Oil Filter MP	
*			43	300.00572	1	Electrical-Visual Indicator	
*			44	300.00456	1	Filter Cartridge	
			1	300.00811	1	Clutch Pressure Switch	
			2	300.00227	2	Elbow 90° 1/8" GAS for Ø6 Hose	
			3	300.21006	2	Hose Clamp d. 7÷11	
			4	573.65122	1	Oil Pump Lubrication Hose	
			5	500.00138	1	Solenoid Valve 14 V	SEE PAGE 340.52
			6	500.00548	1	Solenoid Valve 28 V	SEE PAGE 340.52
			7	592.65552	1	Clutch, Hydromec and Danfoss Steering Base Assembly for Clear Duct Version	SEE PAGE 240HCT.61
			8	313.15074	2	Stud Bolt M8x30x14x11	
			9	314.15080	3	Plain Washer 8,4x14 UNI 6592	
			10	312.45080	5	Torque-Type Hex. Nut M8 UNI 7474	
			11	314.21260	2	Schnorr Spring Washer 8 Fst DIN 6796	
			12	312.45060	2	Locknut M6 DIN 982	
			13	314.91065	4	Plain Washer 6,5x12,5x1,2 UNI 6592	
			14	566.65311	2	Spacer d.12 x 20	
			15	566.65306	1	Base, Manifold and Oil Filter Support	
			16	380.00327	8	Bonded Gasket 1/2" GAS	
			17	580.65309	1	Oil Pump Hose L=350	
			18	300.00849	4	Grub Screw 1/2" GAS	
			19	300.00752	1	Pressure Gauge	
			20	300.04451	1	Fitting for Pressure Gauge	
			21	300.00733	2	Grub Screw 1/4" GAS	
			22	380.00325	4	Bonded Gasket 1/4" GAS	
			23	580.65610	1	Hose B-B L=700	
			24	580.16626	2	Hose B-K L=800	
			25	300.00840	2	Grub Screw M14 x 1,5	
			26	380.00335	12	Bonded Gasket diam. 14	
			27	566.67230	1	HYDROMEC Grub Screw	
			28	380.00336	2	Bonded Gasket diam. 16	
			29	580.16547	1	Hose B-K L=550	
			30	580.67232	1	Hose B-B L=550	
			31	580.63251	1	Hose K-K L=650	
			32	580.63252	1	Hose K-K L=1000	
			33	300.00214	4	Reduction Nipple M16x1,5 - M14x1,5	
			34	580.16549	2	Hose L=350	
			35	590.65308	1	Pipe	
			36	592.65326	1	50 bar Manifold Assembly	SEE PAGE 240HCT.58
			37	580.65203	1	Hose L=500	
			38	580.65204	1	Hose L=340	
			39	580.16441	4	Hose L=800	
			40	300.00388	8	Bush	
			41	300.00041	4	Straight Fitting	
			42	311.15104	2	Hexagonal-Head Screw M6 x 85 UNI 5737	
			45	580.67323	1	Hose A-K L=560	



SINGOLA o DOPPIA INSTAL. STERZO DANFOSS e RETRO HYDROMECH (Jet Destro) **(VERSIONE CLEAR DUCT)** 240HCT.47/00
 SINGLE or TWIN INSTAL. DANFOSS STEERING AND HYDROMECH REVERSING SYSTEM (Starboard Jet) **(CLEAR DUCT VERSION)**

GROUP			ITEM	PART NUMBER	Q.TY	DESCRIPTION	Notes
A	B	C					
A1				300.00455	1	Oil Filter MP	
*			41	300.00572	1	Electrical-Visual Indicator	
*			42	300.00456	1	Filter Cartridge	
			1	300.00811	1	Clutch Pressure Switch	
			2	300.00227	2	Elbow 90° 1/8" GAS for Ø6 Hose	
			3	300.21006	2	Hose Clamp d. 7÷11	
			4	573.65122	1	Oil Pump Lubrication Hose	
			5	500.00145	1	Solenoid Valve 12 V	SEE PAGE 340.47
			6	500.00142	1	Solenoid Valve 24 V	SEE PAGE 340.47
			7	592.65295	1	Clutch, EE/HY Reversing System and Danfoss Base Assembly for Standard Version	SEE PAGE 240HCT.54
			8	313.15074	2	Stud Bolt M8x30x14x11	
			9	314.15080	3	Plain Washer 8,4x14 UNI 6592	
			10	312.45080	5	Torque-Type Hex. Nut M8 UNI 7474	
			11	314.21260	2	Schnorr Spring Washer 8 Fst DIN 6796	
			12	312.45060	2	Locknut M6 DIN 982	
			13	314.91065	4	Plain Washer 6,5x12,5x1,2 UNI 6592	
			14	566.65311	2	Spacer d.12 x 20	
			15	566.65306	1	Base, Manifold and Oil Filter Support	
			16	380.00327	8	Bonded Gasket 1/2" GAS	
			17	580.65309	1	Oil Pump Hose L=350	
			18	300.00849	4	Grub Screw 1/2" GAS	
			19	300.00752	1	Pressure Gauge	
			20	300.04451	1	Fitting for Pressure Gauge	
			21	300.00733	2	Grub Screw 1/4" GAS	
			22	380.00325	4	Bonded Gasket 1/4" GAS	
			23	580.65610	1	Hose B-B L=700	
			24	580.16626	2	Hose B-K L=800	
			25	580.65204	2	Hose L=340	
			26	300.00151	1	Solenoid Valve 12 V	SEE PAGE 340.50
			27	300.00150	1	Solenoid Valve 24 V	SEE PAGE 340.50
			28	580.63254	1	Hose A-K L=460	
			29	580.63251	1	Hose K-K L=650	
			30	580.63252	1	Hose K-K L=1000	
			31	380.00335	4	Bonded Gasket diam. 14	
			32	300.00214	4	Reduction Nipple M16x1,5 - M14x1,5	
			33	580.16549	2	Hose L=350	
			34	590.65308	1	Pipe	
			35	592.65326	1	50 bar Manifold Assembly	SEE PAGE 240HCT.58
			36	580.65203	1	Hose L=500	
			37	580.16441	4	Hose L=800	
			38	300.00388	8	Bush	
			39	300.00041	4	Straight Fitting	
			40	311.15104	2	Hexagonal-Head Screw M6 x 85 UNI 5737	

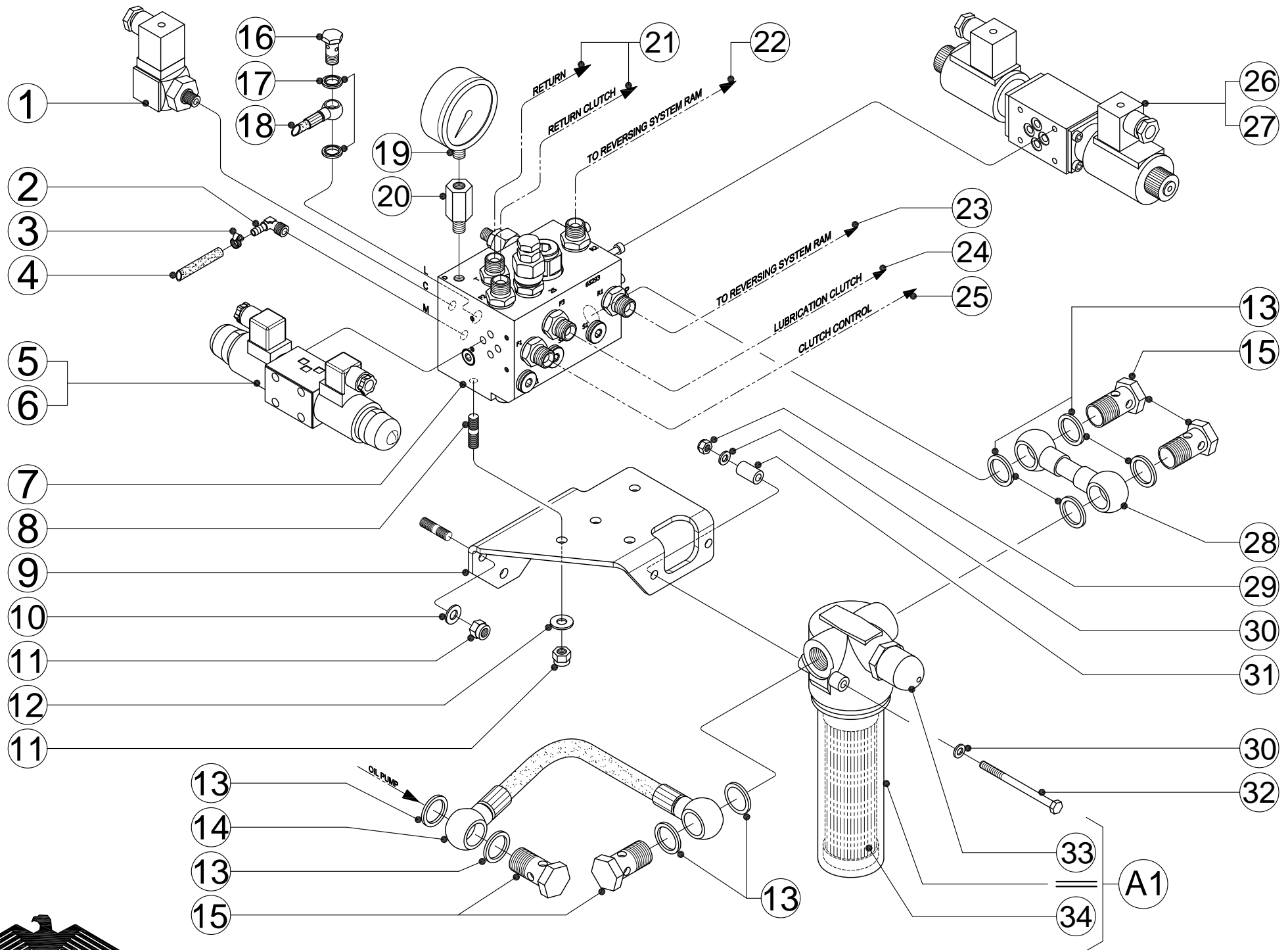


DOPPIA INSTAL. STERZO DANFOSS E RETRO JOY (Jet Destro) **(VERSIONE STANDARD)**

240HCT.48/00

TWIN INSTAL. DANFOSS STEERING AND JOY REVERSING SYSTEM (Starboard Jet) **(STANDARD VERSION)**

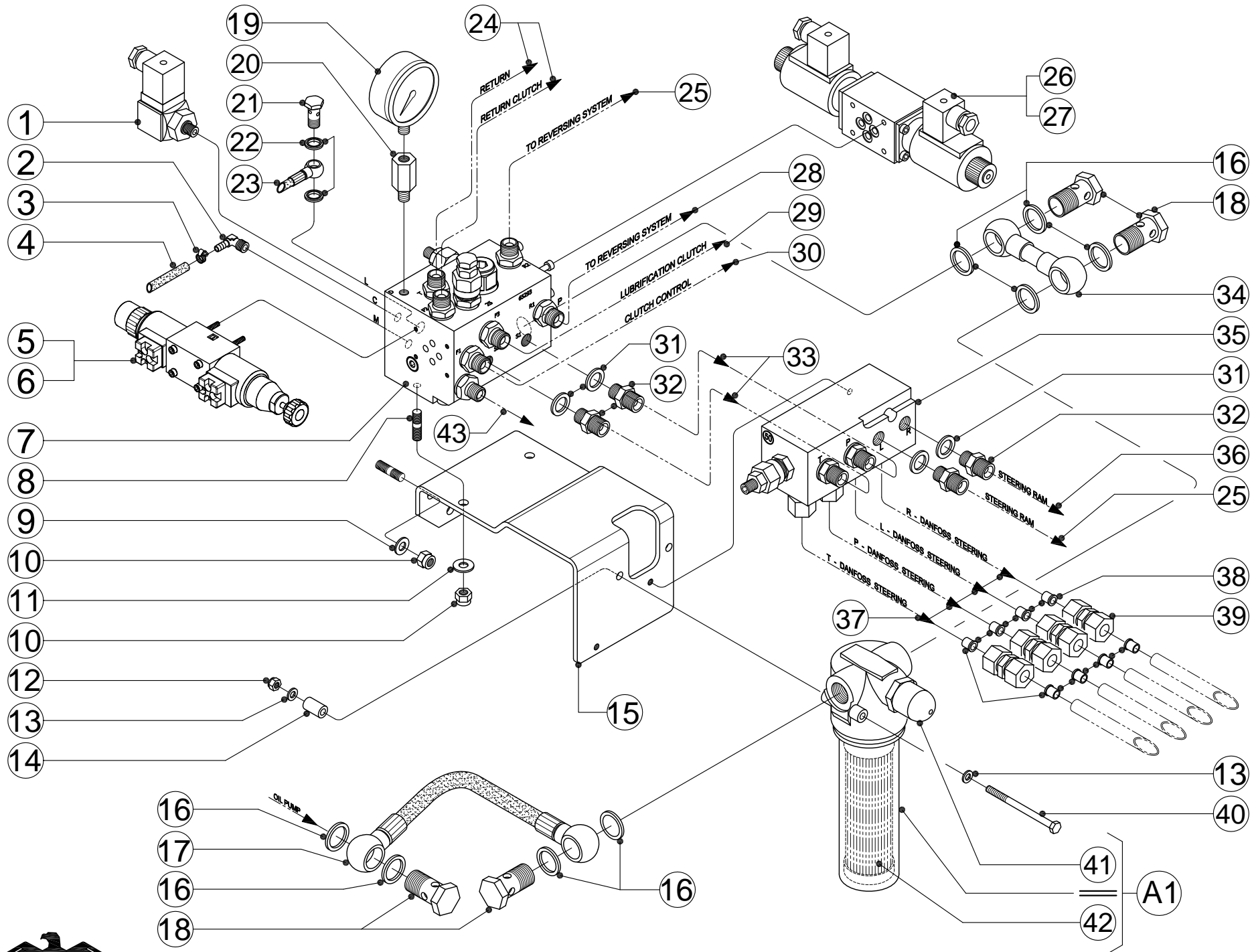
GROUP			ITEM	PART NUMBER	Q.TY	DESCRIPTION	Notes
A	B	C					
A1				300.00455	1	Oil Filter MP	
*			33	300.00572	1	Electrical-Visual Indicator	
*			34	300.00456	1	Filter Cartridge	
			1	300.00811	1	Clutch Pressure Switch	
			2	300.00227	2	Elbow 90° 1/8" GAS for Ø6 Hose	
			3	300.21006	2	Hose Clamp d. 7÷11	
			4	573.65122	1	Oil Pump Lubrication Hose	
			5	500.00145	1	Solenoid Valve 12 V	SEE PAGE 340.47
			6	500.00142	1	Solenoid Valve 24 V	SEE PAGE 340.47
			7	592.65322	1	Clutch, EE/HY Reversing System and Vetus Steering Base Assembly for Standard Version	SEE PAGE 240HCT.57
			8	313.15074	2	Stud Bolt M8x30x14x11	
			9	566.65428	1	Base and Oil Filter Support	
			10	314.15080	3	Plain Washer 8,4x14 UNI 6592	
			11	312.45080	5	Torque-Type Hex. Nut M8 UNI 7474	
			12	314.21260	2	Schnorr Spring Washer 8 Fst DIN 6796	
			13	380.00327	8	Bonded Gasket 1/2" GAS	
			14	580.65309	1	Oil Pump Hose L=350	
			15	300.00849	4	Grub Screw 1/2" GAS	
			16	300.00733	2	Grub Screw 1/4" GAS	
			17	380.00325	4	Bonded Gasket 1/4" GAS	
			18	580.65610	1	Hose B-B L=700	
			19	300.00752	1	Pressure Gauge	
			20	300.04451	1	Fitting for Pressure Gauge	
			21	580.16626	2	Hose B-K L=800	
			22	580.65204	1	Hose L=340	
			23	580.63254	1	Hose A-K L=460	
			24	580.63251	1	Hose K-K L=650	
			25	580.63252	1	Hose K-K L=1000	
			26	300.00151	1	Solenoid Valve 12 V	SEE PAGE 340.50
			27	300.00150	1	Solenoid Valve 24 V	SEE PAGE 340.50
			28	590.65308	1	Pipe	
			29	312.45060	2	Locknut M6 DIN 982	
			30	314.91065	4	Plain Washer 6,5x12,5x1,2 UNI 6592	
			31	566.65311	2	Spacer d.12 x 20	
			32	311.15104	2	Hexagonal-Head Screw M6 x 85 UNI 5737	



DOPPIA INSTAL. STERZO DANFOSS E RETRO JOY (Jet Sinistro) (VERSIONE STANDARD)

TWIN INSTAL. DANFOSS STEERING AND JOY REVERSING SYSTEM (Portboard Jet) (STANDARD VERSION) 240HCT.49/00

GROUP			ITEM	PART NUMBER	Q.TY	DESCRIPTION	Notes
A	B	C					
A1				300.00455	1	Oil Filter MP	
*			41	300.00572	1	Electrical-Visual Indicator	
*			42	300.00456	1	Filter Cartridge	
			1	300.00811	1	Clutch Pressure Switch	
			2	300.00227	2	Elbow 90° 1/8" GAS for Ø6 Hose	
			3	300.21006	2	Hose Clamp d. 7÷11	
			4	573.65122	1	Oil Pump Lubrication Hose	
			5	500.00138	1	Solenoid Valve 14 V	SEE PAGE 340.52
			6	500.00548	1	Solenoid Valve 28 V	SEE PAGE 340.52
			7	592.65550	1	Clutch, EE/HY Reversing System and Danfoss Base Assembly for Clear Duct Version	SEE PAGE 240HCT.59
			8	313.15074	2	Stud Bolt M8x30x14x11	
			9	314.15080	3	Plain Washer 8,4x14 UNI 6592	
			10	312.45080	5	Torque-Type Hex. Nut M8 UNI 7474	
			11	314.21260	2	Schnorr Spring Washer 8 Fst DIN 6796	
			12	312.45060	2	Locknut M6 DIN 982	
			13	314.91065	4	Plain Washer 6,5x12,5x1,2 UNI 6592	
			14	566.65311	2	Spacer d.12 x 20	
			15	566.65306	1	Base, Manifold and Oil Filter Support	
			16	380.00327	8	Bonded Gasket 1/2" GAS	
			17	580.65309	1	Oil Pump Hose L=350	
			18	300.00849	4	Grub Screw 1/2" GAS	
			19	300.00752	1	Pressure Gauge	
			20	300.04451	1	Fitting for Pressure Gauge	
			21	300.00733	2	Grub Screw 1/4" GAS	
			22	380.00325	4	Bonded Gasket 1/4" GAS	
			23	580.65610	1	Hose B-B L=700	
			24	580.16626	2	Hose B-K L=800	
			25	580.65204	2	Hose L=340	
			26	300.00151	1	Solenoid Valve 12 V	SEE PAGE 340.50
			27	300.00150	1	Solenoid Valve 24 V	SEE PAGE 340.50
			28	580.63254	1	Hose A-K L=460	
			29	580.63251	1	Hose K-K L=650	
			30	580.63252	1	Hose K-K L=1000	
			31	380.00335	4	Bonded Gasket diam. 14	
			32	300.00214	4	Reduction Nipple M16x1,5 - M14x1,5	
			33	580.16549	2	Hose L=350	
			34	590.65308	1	Pipe	
			35	592.65326	1	50 bar Manifold Assembly	SEE PAGE 240HCT.58
			36	580.65203	1	Hose L=500	
			37	580.16441	4	Hose L=800	
			38	300.00388	8	Bush	
			39	300.00041	4	Straight Fitting	
			40	311.15104	2	Hexagonal-Head Screw M6 x 85 UNI 5737	
			43	580.67323	1	Hose A-K L=560	

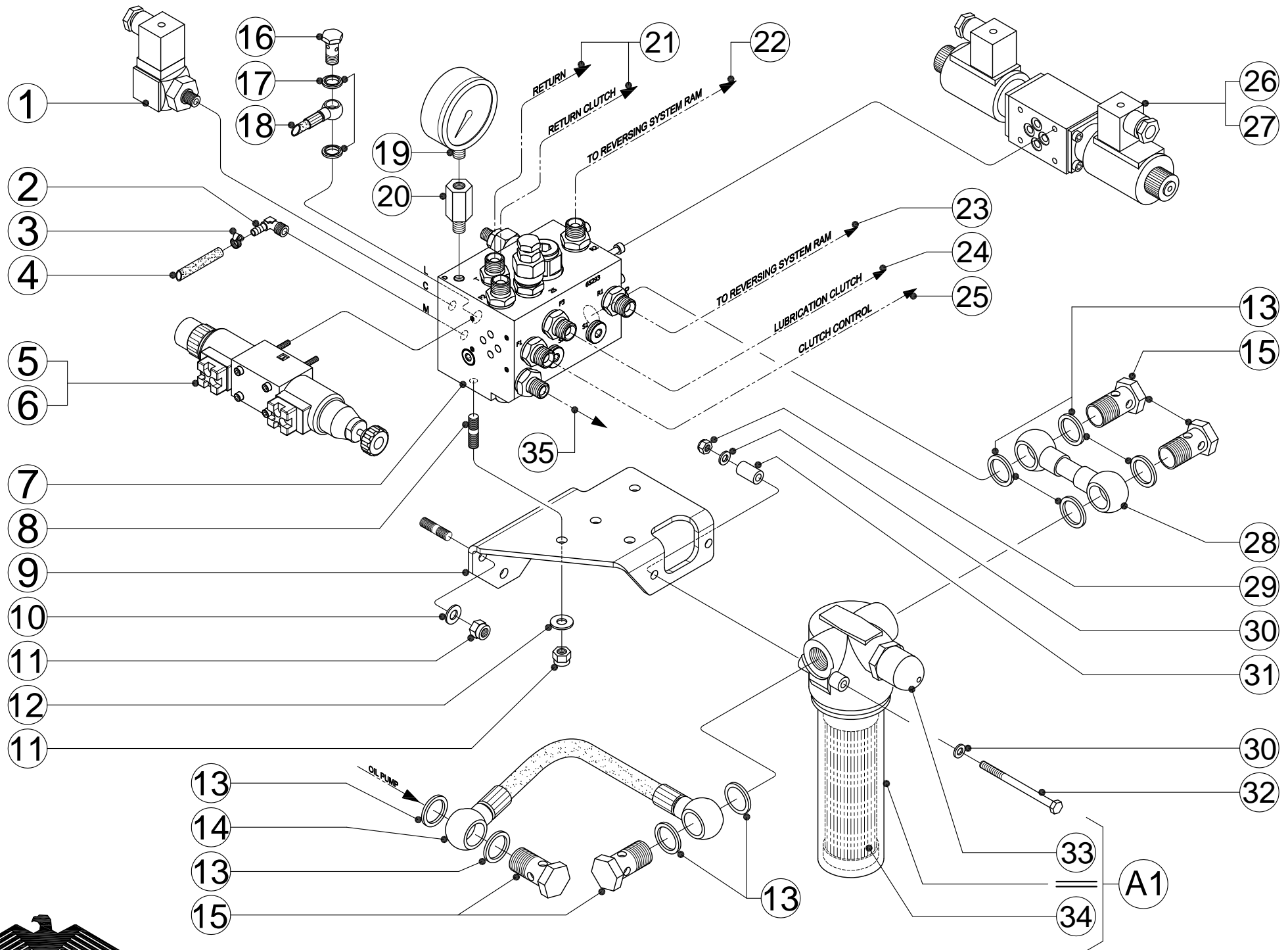


DOPPIA INSTAL. STERZO DANFOSS E RETRO JOY (Jet Destro) (VERSIONE CLEAR DUCT)

240HCT.50/00

TWIN INSTAL. DANFOSS STEERING AND JOY REVERSING SYSTEM (Starboard Jet) (CLEAR DUCT VERSION)

GROUP			ITEM	PART NUMBER	Q.TY	DESCRIPTION	Notes
A	B	C					
A1				300.00455	1	Oil Filter MP	
*			33	300.00572	1	Electrical-Visual Indicator	
*			34	300.00456	1	Filter Cartridge	
			1	300.00811	1	Clutch Pressure Switch	
			2	300.00227	2	Elbow 90° 1/8" GAS for Ø6 Hose	
			3	300.21006	2	Hose Clamp d. 7÷11	
			4	573.65122	1	Oil Pump Lubrication Hose	
			5	500.00138	1	Solenoid Valve 14 V	SEE PAGE 340.52
			6	500.00548	1	Solenoid Valve 28 V	SEE PAGE 340.52
			7	592.65551	1	Clutch, EE/HY Reversing System and Vetus Steering Base Assembly for Clear Duct Version	SEE PAGE 240HCT.60
			8	313.15074	2	Stud Bolt M8x30x14x11	
			9	566.65428	1	Base and Oil Filter Support	
			10	314.15080	3	Plain Washer 8,4x14 UNI 6592	
			11	312.45080	5	Torque-Type Hex. Nut M8 UNI 7474	
			12	314.21260	2	Schnorr Spring Washer 8 Fst DIN 6796	
			13	380.00327	8	Bonded Gasket 1/2" GAS	
			14	580.65309	1	Oil Pump Hose L=350	
			15	300.00849	4	Grub Screw 1/2" GAS	
			16	300.00733	2	Grub Screw 1/4" GAS	
			17	380.00325	4	Bonded Gasket 1/4" GAS	
			18	580.65610	1	Hose B-B L=700	
			19	300.00752	1	Pressure Gauge	
			20	300.04451	1	Fitting for Pressure Gauge	
			21	580.16626	2	Hose B-K L=800	
			22	580.65204	1	Hose L=340	
			23	580.63254	1	Hose A-K L=460	
			24	580.63251	1	Hose K-K L=650	
			25	580.63252	1	Hose K-K L=1000	
			26	300.00151	1	Solenoid Valve 12 V	SEE PAGE 340.50
			27	300.00150	1	Solenoid Valve 24 V	SEE PAGE 340.50
			28	590.65308	1	Pipe	
			29	312.45060	2	Locknut M6 DIN 982	
			30	314.91065	4	Plain Washer 6,5x12,5x1,2 UNI 6592	
			31	566.65311	2	Spacer d.12 x 20	
			32	311.15104	2	Hexagonal-Head Screw M6 x 85 UNI 5737	
			35	580.67323	1	Hose A-K L=560	



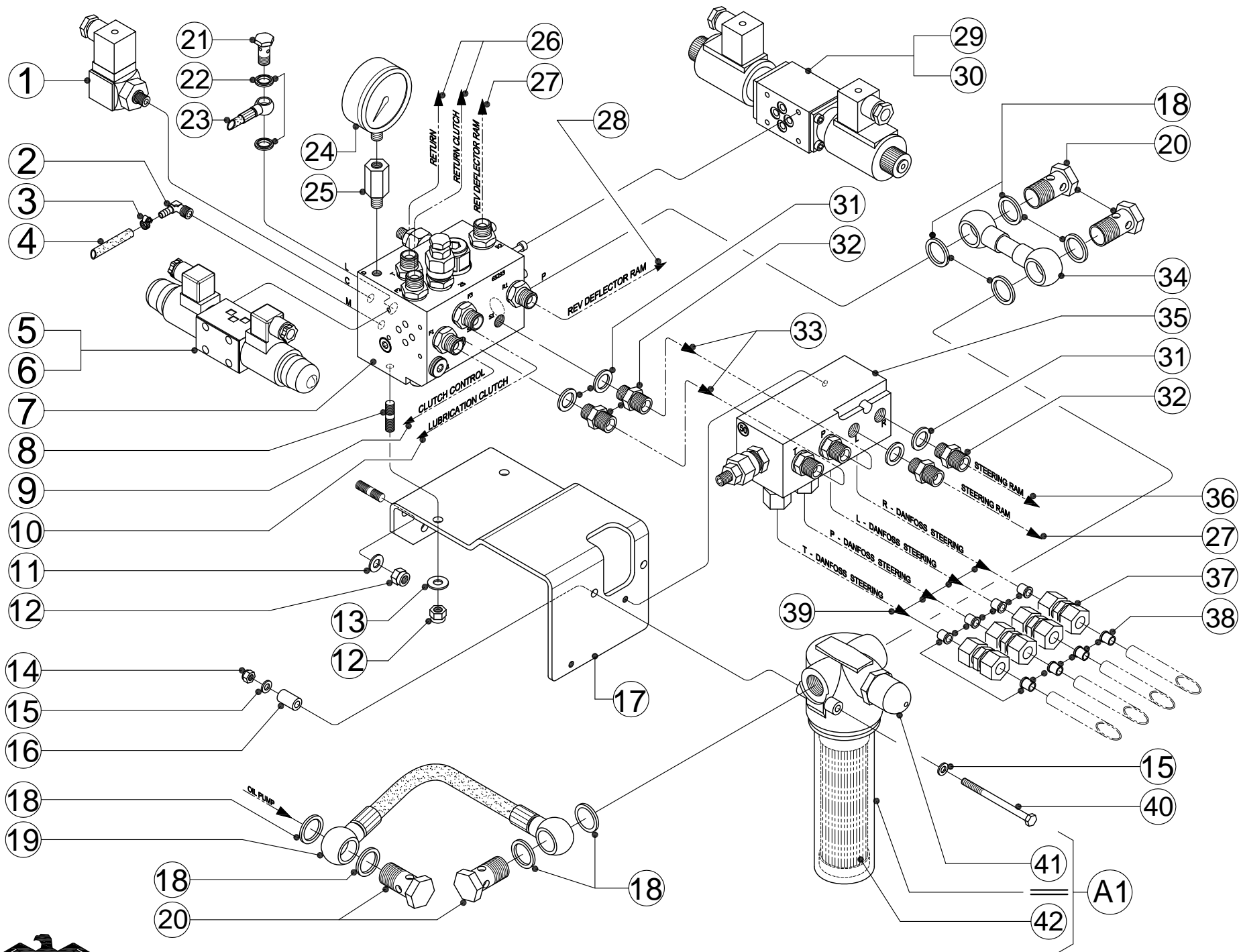
DOPPIA INSTAL. STERZO DANFOSS E RETRO JOY (Jet Sinistro) (VERSIONE CLEAR DUCT)

CASTOLDI

TWIN INSTAL. DANFOSS STEERING AND JOY REVERSING SYSTEM (Portboard Jet) (CLEAR DUCT VERSION)

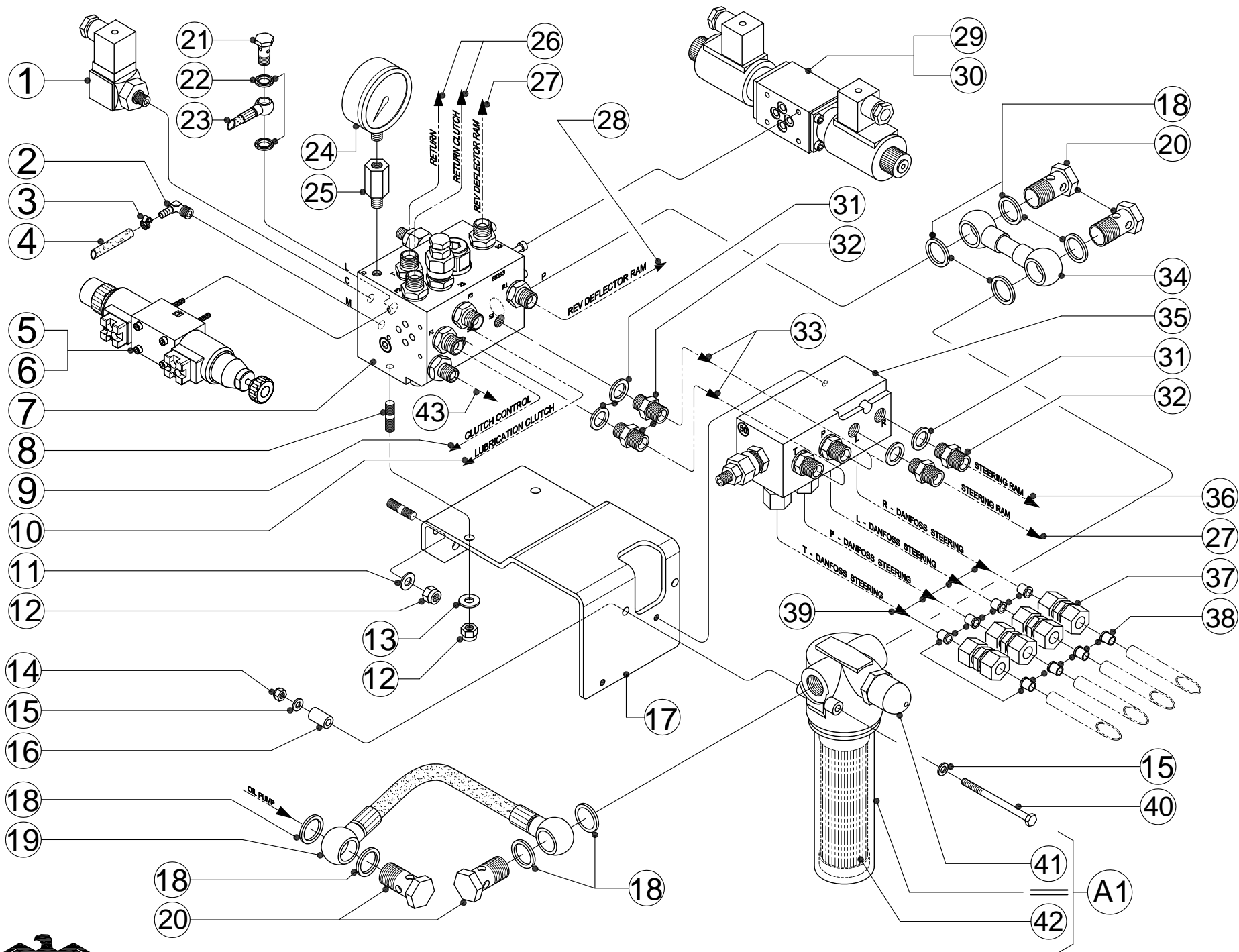
240HCT.51/00

GROUP			ITEM	PART NUMBER	Q.TY	DESCRIPTION	Notes
A	B	C					
A1				300.00455	1	Oil Filter MP	
*			41	300.00572	1	Electrical-Visual Indicator	
*			42	300.00456	1	Filter Cartridge	
			1	300.00811	1	Clutch Pressure Switch	
			2	300.00227	2	Elbow 90° 1/8" GAS for Ø6 Hose	
			3	300.21006	2	Hose Clamp d. 7±11	
			4	573.65122	1	Oil Pump Lubrication Hose	
			5	500.00145	1	Solenoid Valve 12 V	SEE PAGE 340.47
			6	500.00142	1	Solenoid Valve 24 V	SEE PAGE 340.47
			7	592.65295	1	Clutch, EE/HY Reversing System and Danfoss Base Assembly for Standard Version	SEE PAGE 240HCT.54
			8	313.15074	2	Stud Bolt M8x30x14x11	
			9	580.63252	1	Hose K-K L=1000	
			10	580.63251	1	Hose K-K L=650	
			11	314.15080	3	Plain Washer 8,4x14 UNI 6592	
			12	312.45080	5	Torque-Type Hex. Nut M8 UNI 7474	
			13	314.21260	2	Schnorr Spring Washer 8 Fst DIN 6796	
			14	312.45060	2	Locknut M6 DIN 982	
			15	314.91065	4	Plain Washer 6,5x12,5x1,2 UNI 6592	
			16	566.65311	2	Spacer d.12 x 20	
			17	566.65306	1	Base, Manifold and Oil Filter Support	
			18	380.00327	8	Bonded Gasket 1/2" GAS	
			19	580.65309	1	Oil Pump Hose L=350	
			20	300.00849	4	Grub Screw 1/2" GAS	
			21	300.00733	2	Grub Screw 1/4" GAS	
			22	380.00325	4	Bonded Gasket 1/4" GAS	
			23	580.65610	1	Hose B-B L=700	
			24	300.00752	1	Pressure Gauge	
			25	300.04451	1	Fitting for Pressure Gauge	
			26	580.16626	2	Hose B-K L=800	
			27	580.65204	2	Hose L=340	
			28	580.63254	1	Hose A-K L=460	
			29	300.00151	1	Solenoid Valve 12 V	SEE PAGE 340.50
			30	300.00150	1	Solenoid Valve 24 V	SEE PAGE 340.50
			31	380.00335	4	Bonded Gasket diam. 14	
			32	300.00214	4	Reduction Nipple M16x1,5 - M14x1,5	
			33	580.16549	2	Hose L=350	
			34	590.65308	1	Pipe	
			35	592.65326	1	50 bar Manifold Assembly	SEE PAGE 240HCT.58
			36	580.65203	1	Hose L=500	
			37	300.00041	4	Straight Fitting	
			38	300.00388	8	Bush	
			39	580.16441	4	Hose L=800	
			40	311.15104	2	Hexagonal-Head Screw M6 x 85 UNI 5737	



SINGOLA INSTAL. - SINGOLO o DOPPIO PONTE - STERZO DANFOSS e RETRO EE/HY (VERSIONE STANDARD) 240HCT.52/00
 SINGLE INSTAL. - SINGLE or DOUBLE LINK - DANFOSS STEERING AND EE/HY REVERSING SYSTEM (STANDARD VERSION)

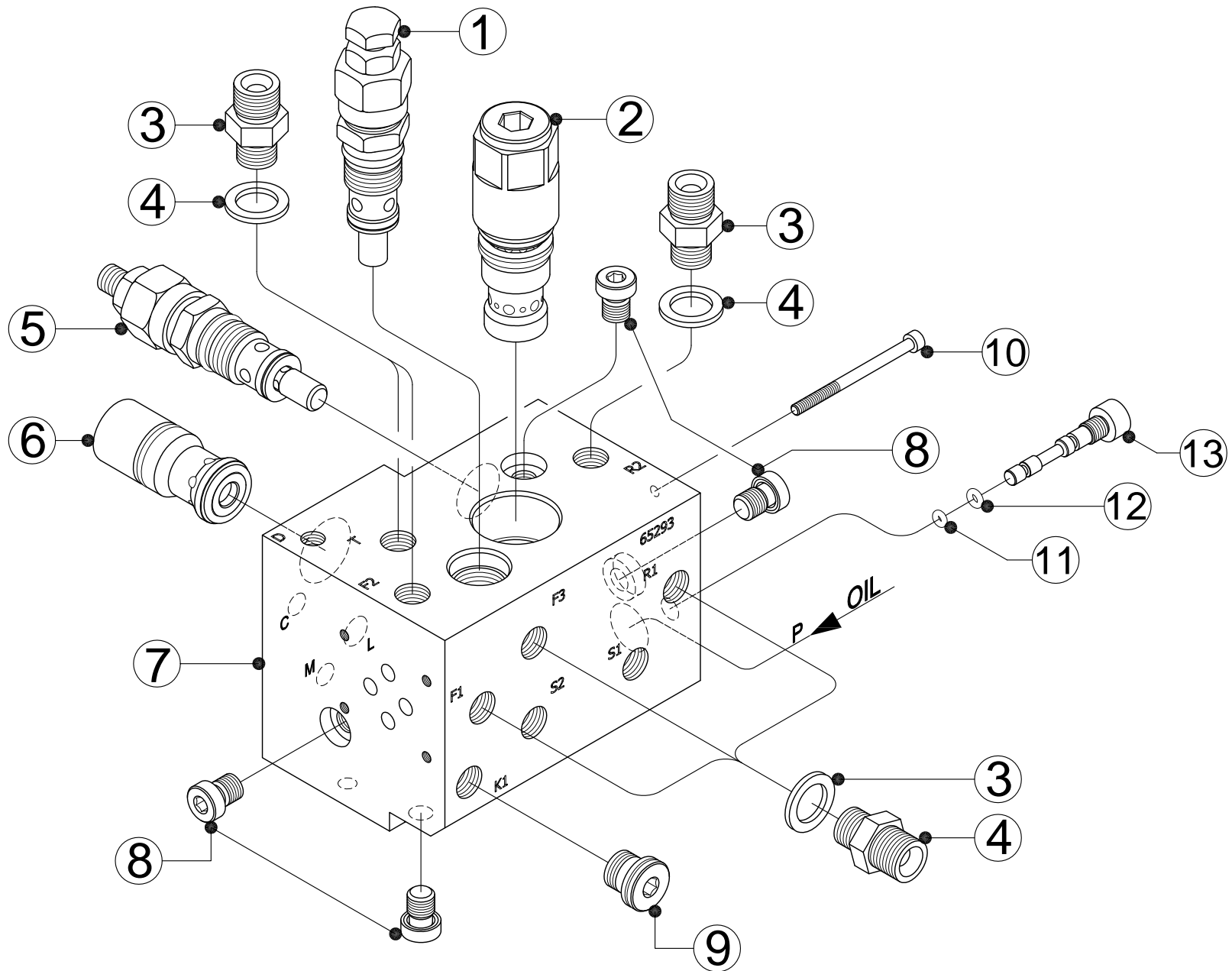
GROUP			ITEM	PART NUMBER	Q.TY	DESCRIPTION	Notes
A	B	C					
A1				300.00455	1	Oil Filter MP	
*			41	300.00572	1	Electrical-Visual Indicator	
*			42	300.00456	1	Filter Cartridge	
			1	300.00811	1	Clutch Pressure Switch	
			2	300.00227	2	Elbow 90° 1/8" GAS for Ø6 Hose	
			3	300.21006	2	Hose Clamp d. 7÷11	
			4	573.65122	1	Oil Pump Lubrication Hose	
			5	500.00138	1	Solenoid Valve 14 V	SEE PAGE 340.52
			6	500.00548	1	Solenoid Valve 28 V	SEE PAGE 340.52
			7	592.65550	1	Clutch, EE/HY Reversing System and Danfoss Base Assembly for Clear Duct Version	SEE PAGE 240HCT.59
			8	313.15074	2	Stud Bolt M8x30x14x11	
			9	580.63252	1	Hose K-K L=1000	
			10	580.63251	1	Hose K-K L=650	
			11	314.15080	3	Plain Washer 8,4x14 UNI 6592	
			12	312.45080	5	Torque-Type Hex. Nut M8 UNI 7474	
			13	314.21260	2	Schnorr Spring Washer 8 Fst DIN 6796	
			14	312.45060	2	Locknut M6 DIN 982	
			15	314.91065	4	Plain Washer 6,5x12,5x1,2 UNI 6592	
			16	566.65311	2	Spacer d.12 x 20	
			17	566.65306	1	Base, Manifold and Oil Filter Support	
			18	380.00327	8	Bonded Gasket 1/2" GAS	
			19	580.65309	1	Oil Pump Hose L=350	
			20	300.00849	4	Grub Screw 1/2" GAS	
			21	300.00733	2	Grub Screw 1/4" GAS	
			22	380.00325	4	Bonded Gasket 1/4" GAS	
			23	580.65610	1	Hose B-B L=700	
			24	300.00752	1	Pressure Gauge	
			25	300.04451	1	Fitting for Pressure Gauge	
			26	580.16626	2	Hose B-K L=800	
			27	580.65204	2	Hose L=340	
			28	580.63254	1	Hose A-K L=460	
			29	300.00151	1	Solenoid Valve 12 V	SEE PAGE 340.50
			30	300.00150	1	Solenoid Valve 24 V	SEE PAGE 340.50
			31	380.00335	4	Bonded Gasket diam. 14	
			32	300.00214	4	Reduction Nipple M16x1,5 - M14x1,5	
			33	580.16549	2	Hose L=350	
			34	590.65308	1	Pipe	
			35	592.65326	1	50 bar Manifold Assembly	SEE PAGE 240HCT.58
			36	580.65203	1	Hose L=500	
			37	300.00041	4	Straight Fitting	
			38	300.00388	8	Bush	
			39	580.16441	4	Hose L=800	
			40	311.15104	2	Hexagonal-Head Screw M6 x 85 UNI 5737	
			43	580.67323	1	Hose A-K L=560	



SINGOLA INSTAL. - SINGOLO o DOPPIO PONTE - STERZO DANFOSS e RETRO EE/HY (VERSIONE CLEAR DUCT)
 SINGLE INSTAL. - SINGLE or DOUBLE LINK - DANFOSS STEERING AND EE/HY REVERSING SYSTEM (CLEAR DUCT VERSION)

240HCT.53/00

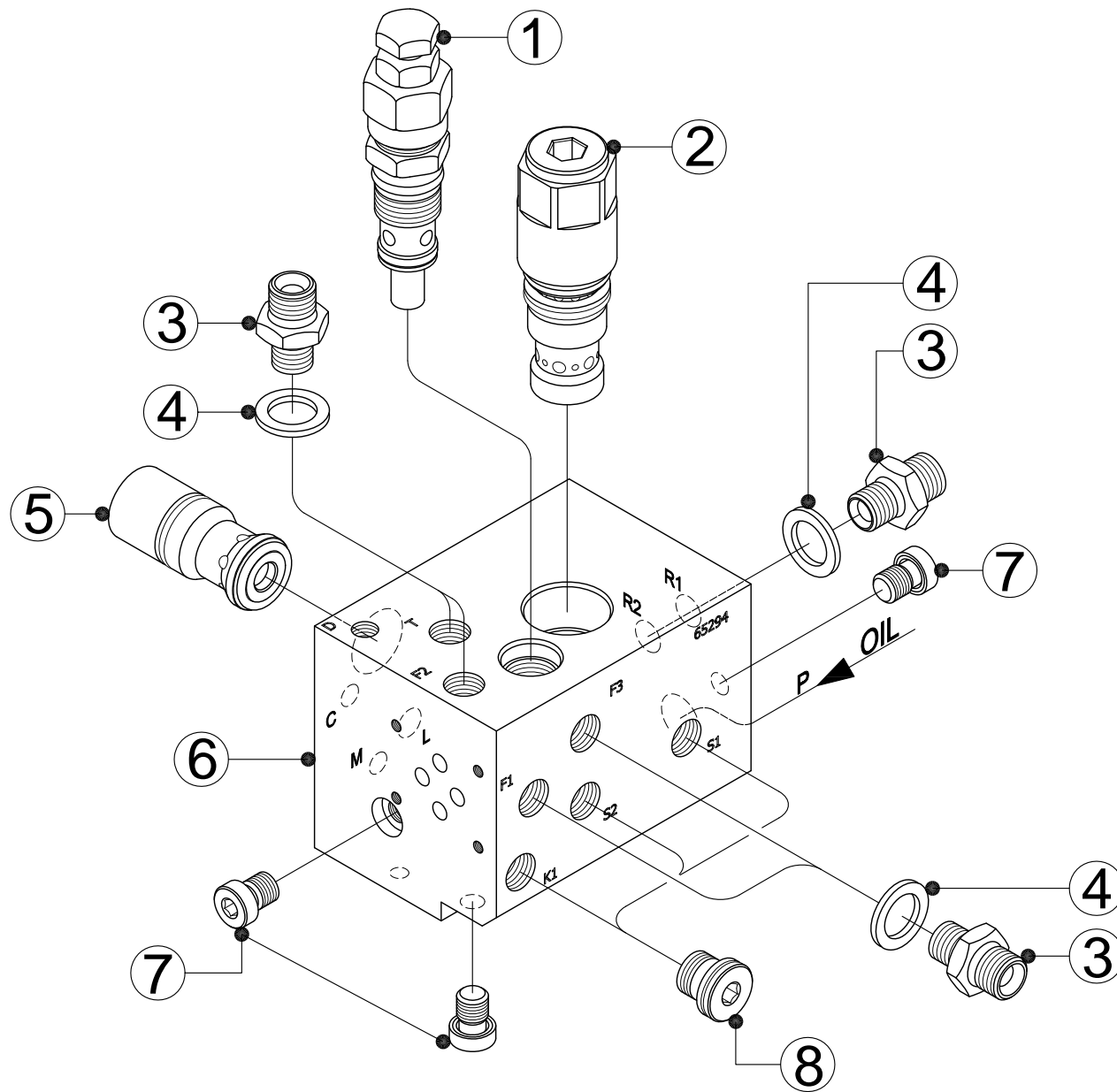
GROUP			ITEM	PART NUMBER	Q.TY	DESCRIPTION	Notes
A	B	C					
A1				592.65295	1	Clutch, EE/HY Reversing System and Danfoss Steering Base Assembly for Standard Version	
*			1	500.65174	1	Relief Valve 25 bar	
*			2	300.00863	1	Flow Valve	
*			3	300.00214	6	Reduction Nipple M16x1,5 - M14x1,5	
*			4	380.00335	6	Bonded Gasket 14	
*			5	300.00795	1	Relief Valve	
*			6	300.00180	1	Directional Valve	
*			7	572.65293	1	Clutch, EE/HY Reversing System and Vetus Steering Base	
*			8	300.40018	4	Plug 1/8" GAS	
*			9	300.40012	1	Plug M14x1,5	
*			10	311.55055	4	Allen Screw M5x30 UNI 5931	
*			11	381.10767	1	O-Ring 2015 diam. 3,69x1,78	
*			12	381.10768	1	O-Ring 2018 diam. 3,69x1,78	
*			13	566.65304	1	Special Plug 1/8" GAS	



A1

592.65295 - BASE COMPL. PER FRIZIONE, RETRO EE/HY e STERZO DANFOSS (VERSIONE STANDARD)
 592.65295 - CLUTCH, EE/HY REVERSING SYSTEM and DANFOSS BASE ASSEMBLY (STANDARD VERSION)

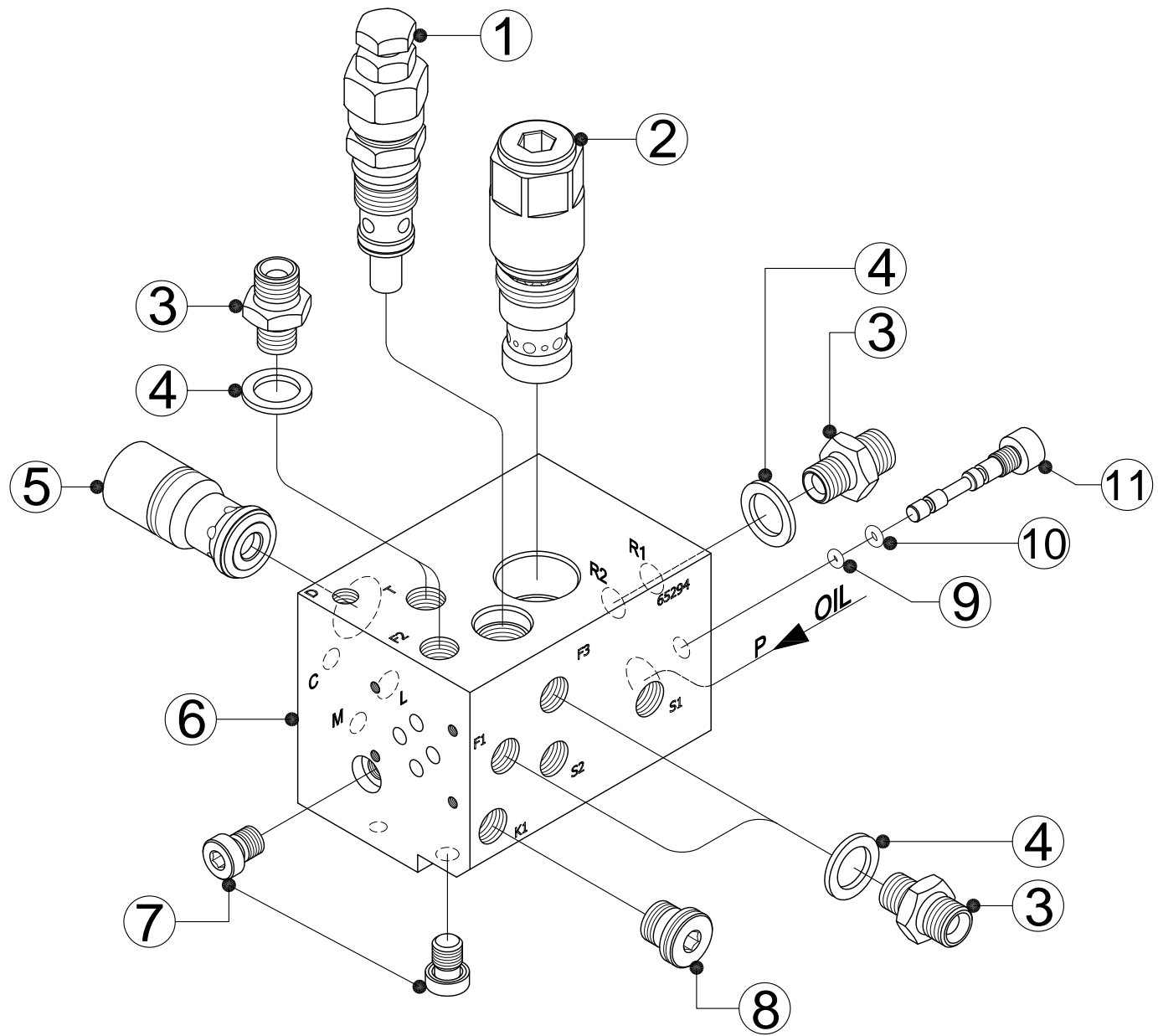
GROUP			ITEM	PART NUMBER	Q.TY	DESCRIPTION	Notes
A	B	C					
A1				592.65296	1	Clutch, Hydromec and Steering Base Assembly for Standard Version	
*			1	500.65174	1	Relief Valve 25 bar	
*			2	300.00863	1	Flow Valve	
*			3	300.00214	5	Reduction Nipple M16x1,5 - M14x1,5	
*			4	380.00335	5	Bonded Gasket 14	
*			5	300.00180	1	Directional Valve	
*			6	572.65294	1	Clutch, Hydromec and Steering Base	
*			7	300.40018	3	Plug 1/8" GAS	
*			8	300.40012	3	Plug M14x1,5	



A1 592.65296 - BASE COMPLETA DI VALVOLE PER FRIZIONE, HYDROMECC e STERZO (VERSIONE STANDARD)
 592.65296 - CLUTCH, HYDROMECC and STEERING BASE ASSEMBLY (STANDARD VERSION)

240HCT.55/00

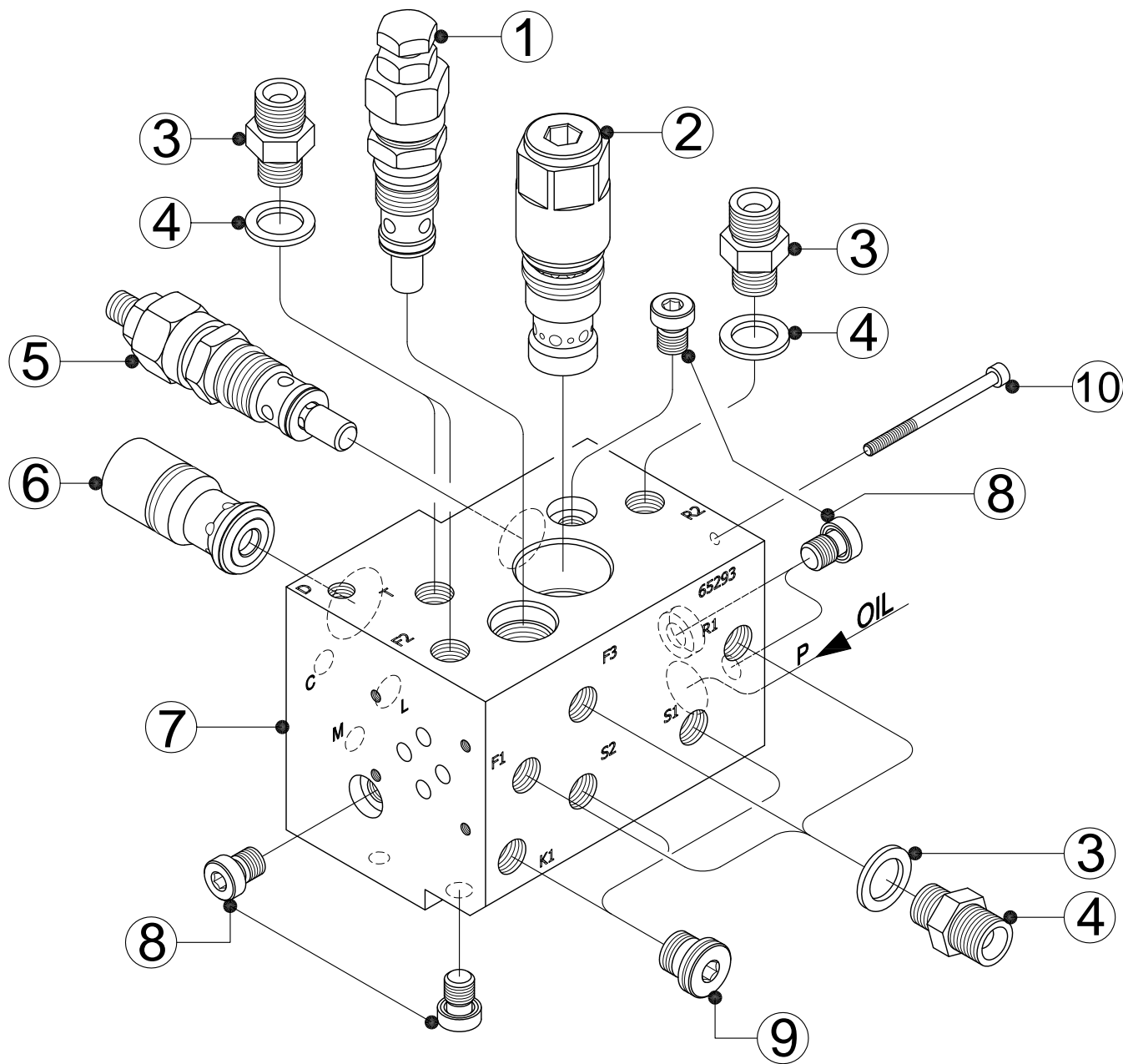
GROUP			ITEM	PART NUMBER	Q.TY	DESCRIPTION	Notes
A	B	C					
A1				592.65312	1	Clutch, Hydromec and Danfoss Steering Base Assembly for Standard Version	
*			1	500.65174	1	Relief Valve 25 bar	
*			2	300.00863	1	Flow Valve	
*			3	300.00214	5	Reduction Nipple M16x1,5 - M14x1,5	
*			4	380.00335	5	Bonded Gasket 14	
*			5	300.00180	1	Directional Valve	
*			6	572.65294	1	Clutch, Hydromec and Steering Base	
*			7	300.40018	2	Plug 1/8" GAS	
*			8	300.40012	1	Plug M14x1,5	
*			9	381.10767	1	O-Ring 2015 diam. 3,69x1,78	
*			10	381.10768	1	O-Ring 2018 diam. 3,69x1,78	
*			11	566.65304	1	Special Plug 1/8" GAS	



A1 592.65312 - BASE COMPLETA DI VALVOLE PER FRIZIONE, HYDROMEC e STERZO DANFOSS (VERSIONE STANDARD)
 592.65312 - CLUTCH, HYDROMEC and DANFOSS STEERING BASE ASSEMBLY (STANDARD VERSION)

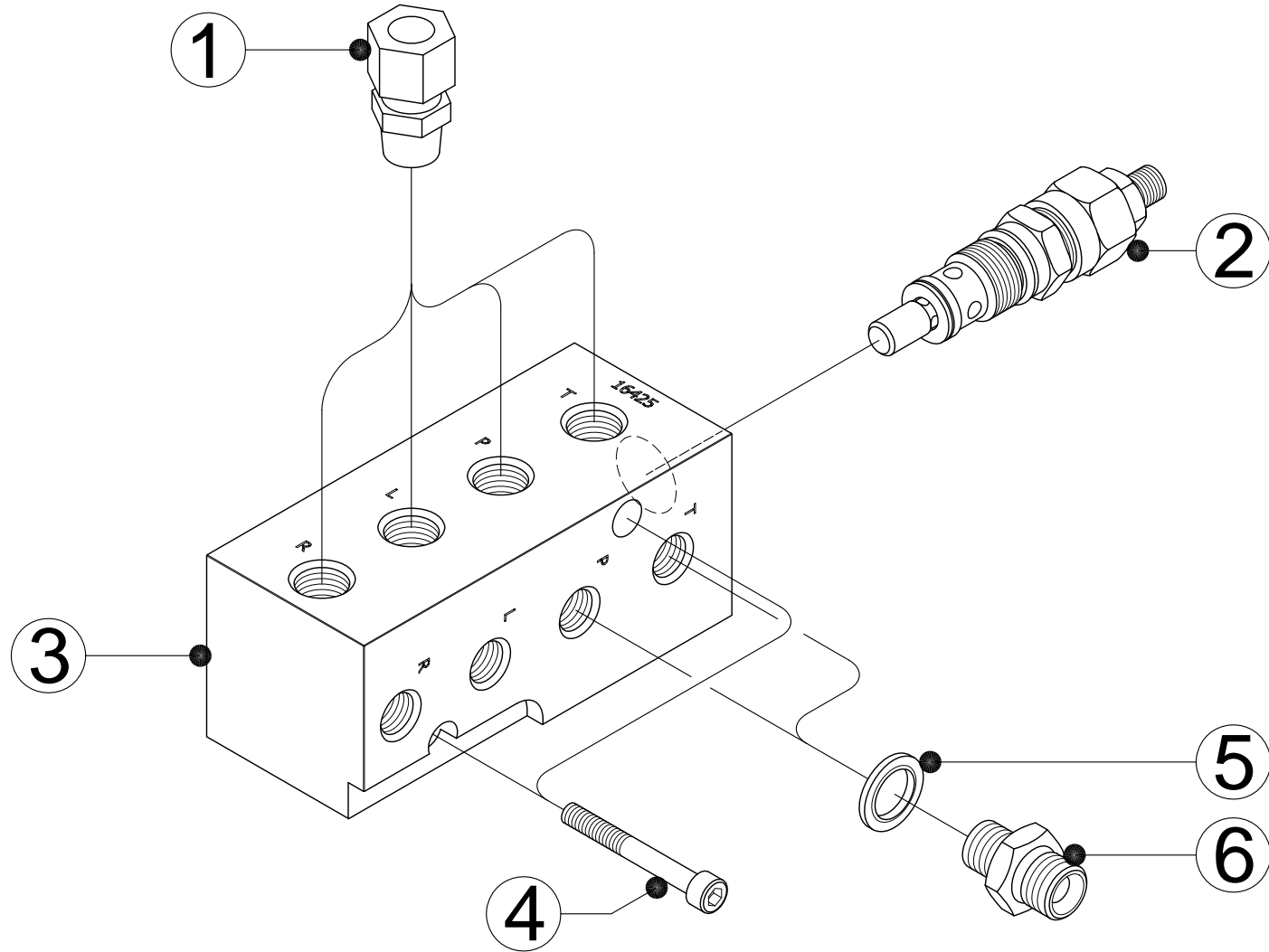
240HCT.56/00

GROUP			ITEM	PART NUMBER	Q.TY	DESCRIPTION	Notes
A	B	C					
A1				592.65322	1	Clutch, EE/HY Reversing System and Vetus Steering Base Assembly for Standard Version	
*			1	500.65174	1	Relief Valve 25 bar	
*			2	300.00863	1	Flow Valve	
*			3	300.00214	6	Reduction Nipple M16x1,5 - M14x1,5	
*			4	380.00335	6	Bonded Gasket 14	
*			5	300.00795	1	Relief Valve	
*			6	300.00180	1	Directional Valve	
*			7	572.65293	1	Clutch, EE/HY Reversing System and Vetus Steering Base	
*			8	300.40018	5	Plug 1/8" GAS	
*			9	300.40012	3	Plug M14x1,5	
*			10	311.55055	4	Allen Screw M5x30 UNI 5931	



A1 592.65322 - BASE COMPLETA PER FRIZIONE, RETRO EE/HY e STERZO VETUS (VERSIONE STANDARD)
 592.65322 - CLUTCH, EE/HY REVERSING SYSTEM and VETUS BASE ASSEMBLY (STANDARD VERSION)

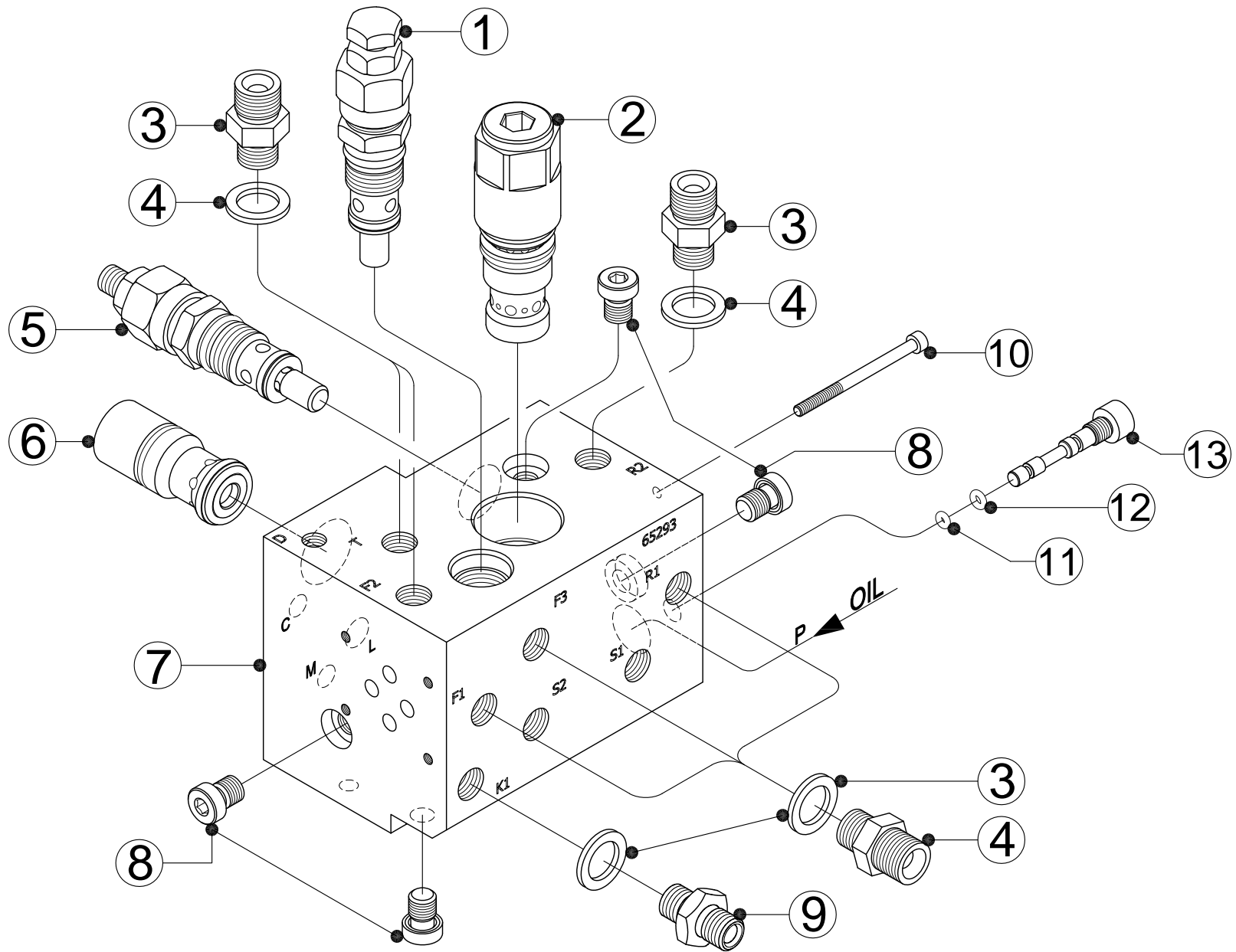
GROUP			ITEM	PART NUMBER	Q.TY	DESCRIPTION	Notes
A	B	C					
A1				592.65326	1	Manifold Assembly 50 bar	
*			1	300.00217	4	Pipe Fitting 3/8" GAS	
*			2	500.65341	1	Relief Valve 50 bar	
*			3	572.16425	1	Manifold	
*			4	311.55068	2	Allen Screw M6x50 UNI 5931	
*			5	380.00335	2	Bonded Gasket 14	
*			6	300.00214	2	Reduction Nipple M16x1,5 - M14x1,5	



A1 592.65326 - COLLETTORE COMPLETO 50 bar
 592.65326 - MANIFOLD ASSEMBLY 50 bar

240HCT.58/00

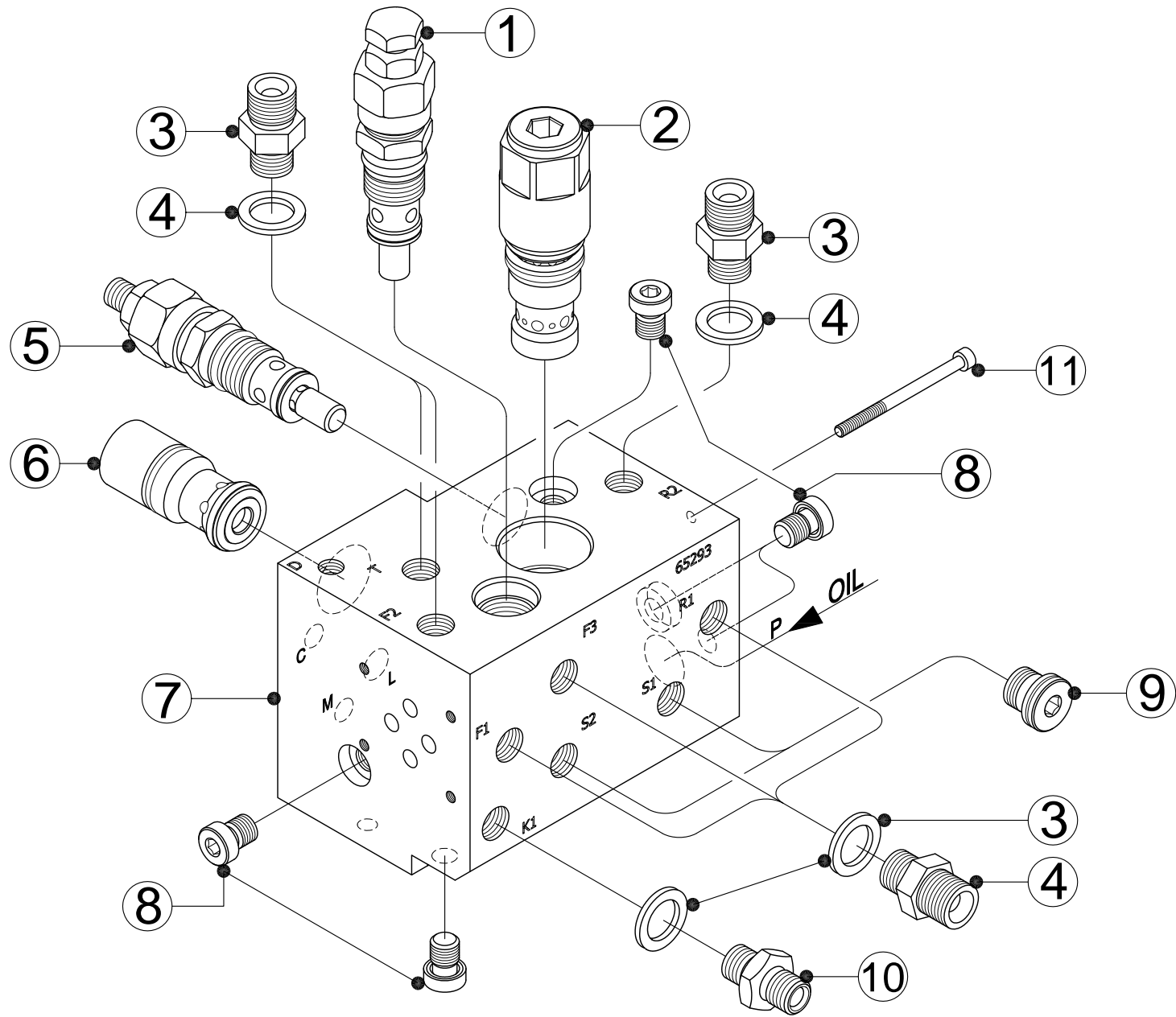
GROUP			ITEM	PART NUMBER	Q.TY	DESCRIPTION	Notes
A	B	C					
A1				592.65550	1	Clutch, EE/HY Reversing System and Danfoss Steering Base Assembly for Clear Duct Version	
*			1	500.65174	1	Relief Valve 25 bar	
*			2	300.00863	1	Flow Valve	
*			3	300.00214	6	Reduction Nipple M16x1,5 - M14x1,5	
*			4	380.00335	7	Bonded Gasket 14	
*			5	300.00795	1	Relief Valve	
*			6	300.00180	1	Directional Valve	
*			7	572.65293	1	Clutch, EE/HY Reversing System and Vetus Steering Base	
*			8	300.40018	4	Plug 1/8" GAS	
*			9	300.04147	1	Nipple M14x1,5	
*			10	311.55055	4	Allen Screw M5x30 UNI 5931	
*			11	381.10767	1	O-Ring 2015 diam. 3,69x1,78	
*			12	381.10768	1	O-Ring 2018 diam. 3,69x1,78	
*			13	566.65304	1	Special Plug 1/8" GAS	



A1 592.65550 - BASE COMPL. PER FRIZIONE, RETRO EE/HY e STERZO DANFOSS (VERSIONE CLEAR DUCT)
 592.65550 - CLUTCH, EE/HY REVERSING SYSTEM and DANFOSS BASE ASSEMBLY (CLEAR DUCT VERSION)

240HCT.59/00

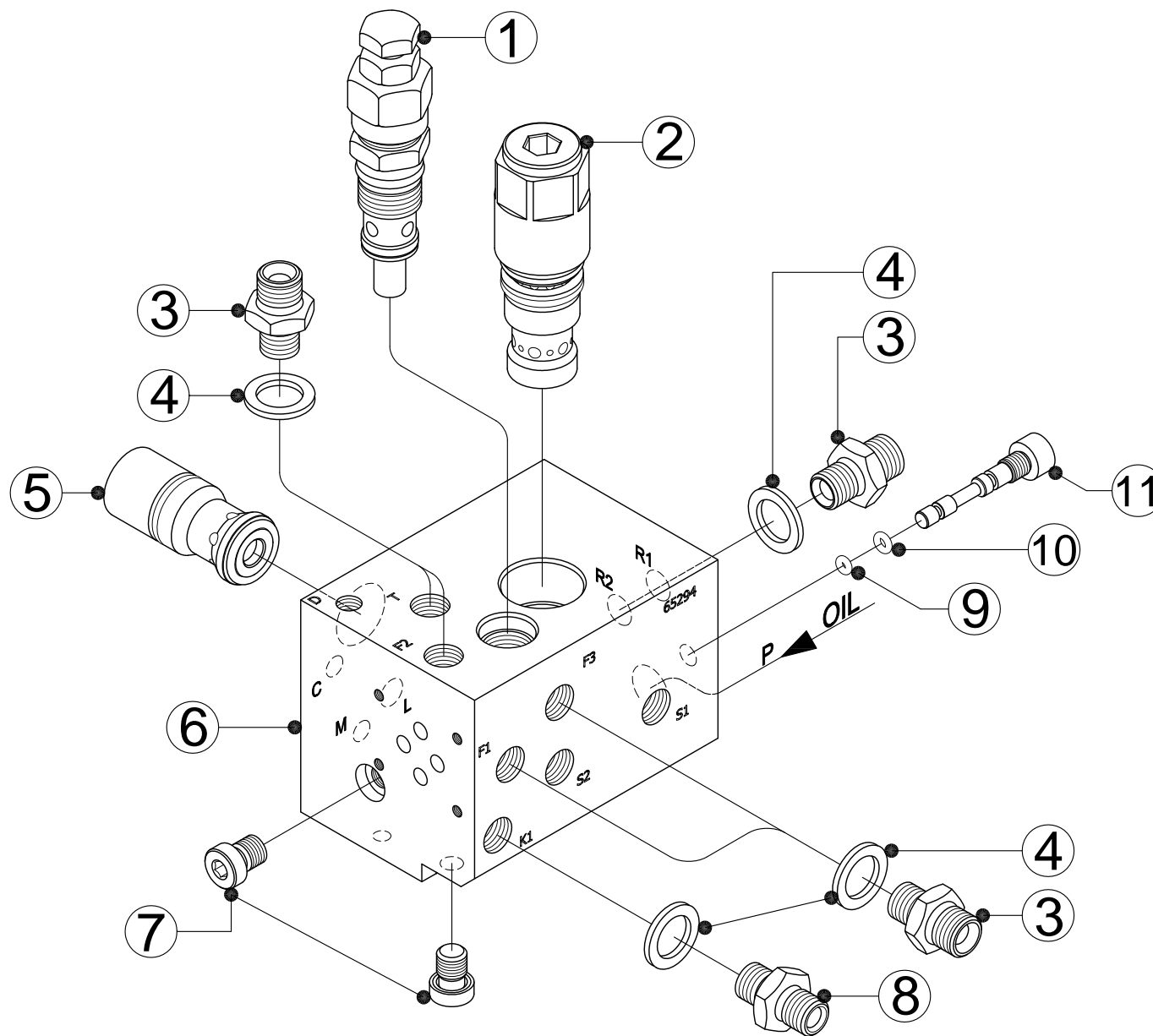
GROUP			ITEM	PART NUMBER	Q.TY	DESCRIPTION	Notes
A	B	C					
A1				592.65551	1	Clutch, EE/HY Reversing System and Vetus Steering Base Assembly for Clear Duct Version	
*			1	500.65174	1	Relief Valve 25 bar	
*			2	300.00863	1	Flow Valve	
*			3	300.00214	6	Reduction Nipple M16x1,5 - M14x1,5	
*			4	380.00335	7	Bonded Gasket 14	
*			5	300.00795	1	Relief Valve	
*			6	300.00180	1	Directional Valve	
*			7	572.65293	1	Clutch, EE/HY Reversing System and Vetus Steering Base	
*			8	300.40018	5	Plug 1/8" GAS	
*			9	300.40012	2	Plug M14x1,5	
*			10	300.04147	1	Nipple M14x1,5	
*			11	311.55055	4	Allen Screw M5x30 UNI 5931	



A1 592.65551 - BASE COMPLETA PER FRIZIONE, RETRO EE/HY e STERZO VETUS (VERSIONE CLEAR DUCT)
 592.65551 - CLUTCH, EE/HY REVERSING SYSTEM and VETUS BASE ASSEMBLY (CLEAR DUCT VERSION)

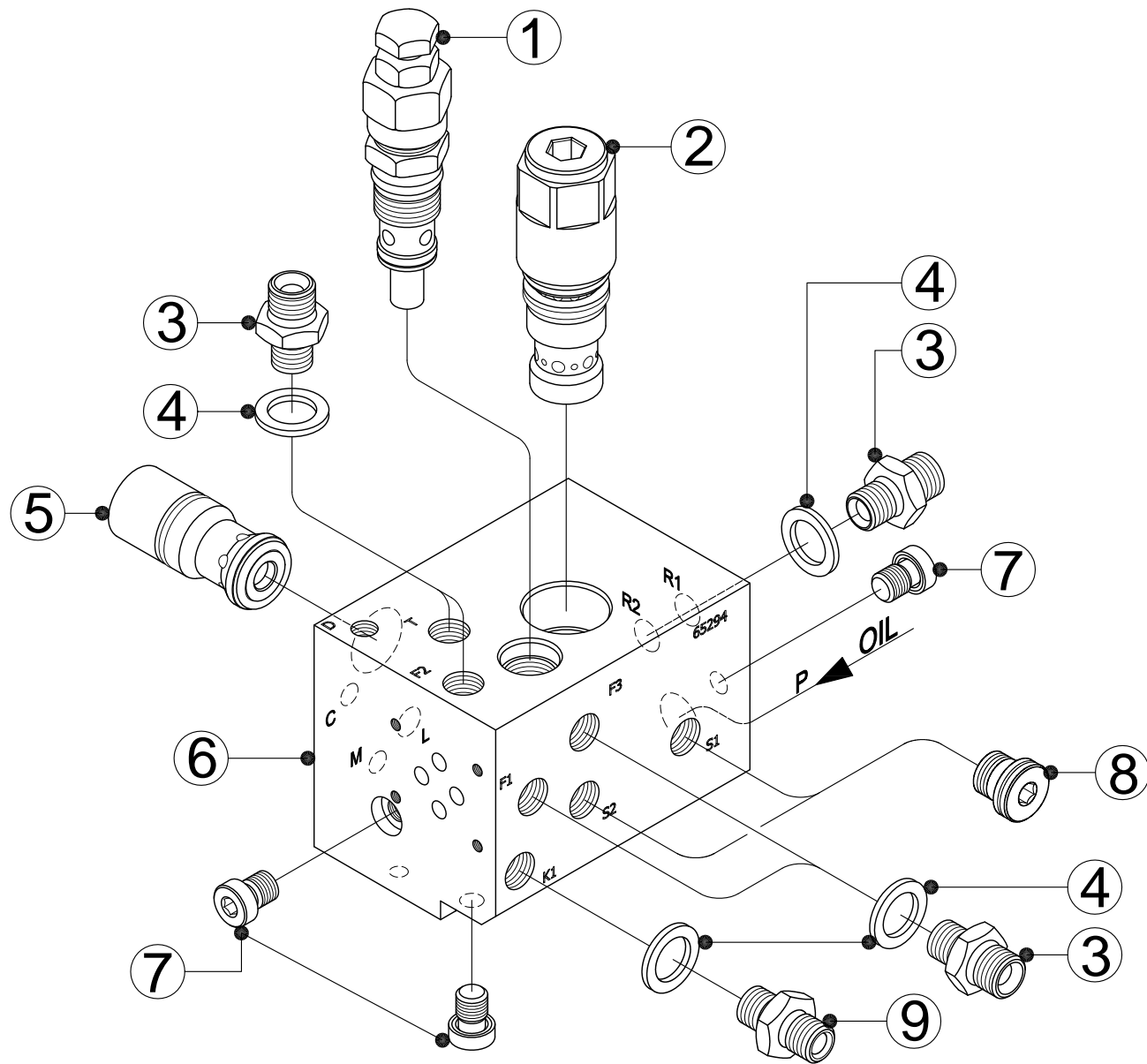
240HCT.60/00

GROUP			ITEM	PART NUMBER	Q.TY	DESCRIPTION	Notes
A	B	C					
A1				592.65552	1	Clutch, Hydromec and Danfoss Steering Base Assembly for Clear Duct Version	
*			1	500.65174	1	Relief Valve 25 bar	
*			2	300.00863	1	Flow Valve	
*			3	300.00214	5	Reduction Nipple M16x1,5 - M14x1,5	
*			4	380.00335	6	Bonded Gasket 14	
*			5	300.00180	1	Directional Valve	
*			6	572.65294	1	Clutch, Hydromec and Steering Base	
*			7	300.40018	2	Plug 1/8" GAS	
*			8	300.04147	1	Nipple M14x1,5	
*			9	381.10767	1	O-Ring 2015 diam. 3,69x1,78	
*			10	381.10768	1	O-Ring 2018 diam. 3,69x1,78	
*			11	566.65304	1	Special Plug 1/8" GAS	



A1 592.65552 - BASE COMPL. DI VALVOLE PER FRIZIONE, HYDROMECC e STERZO DANFOSS (VERSIONE CLEAR DUCT)
 592.65552 - CLUTCH, HYDROMECC and DANFOSS STEERING BASE ASSEMBLY (CLEAR DUCT VERSION)

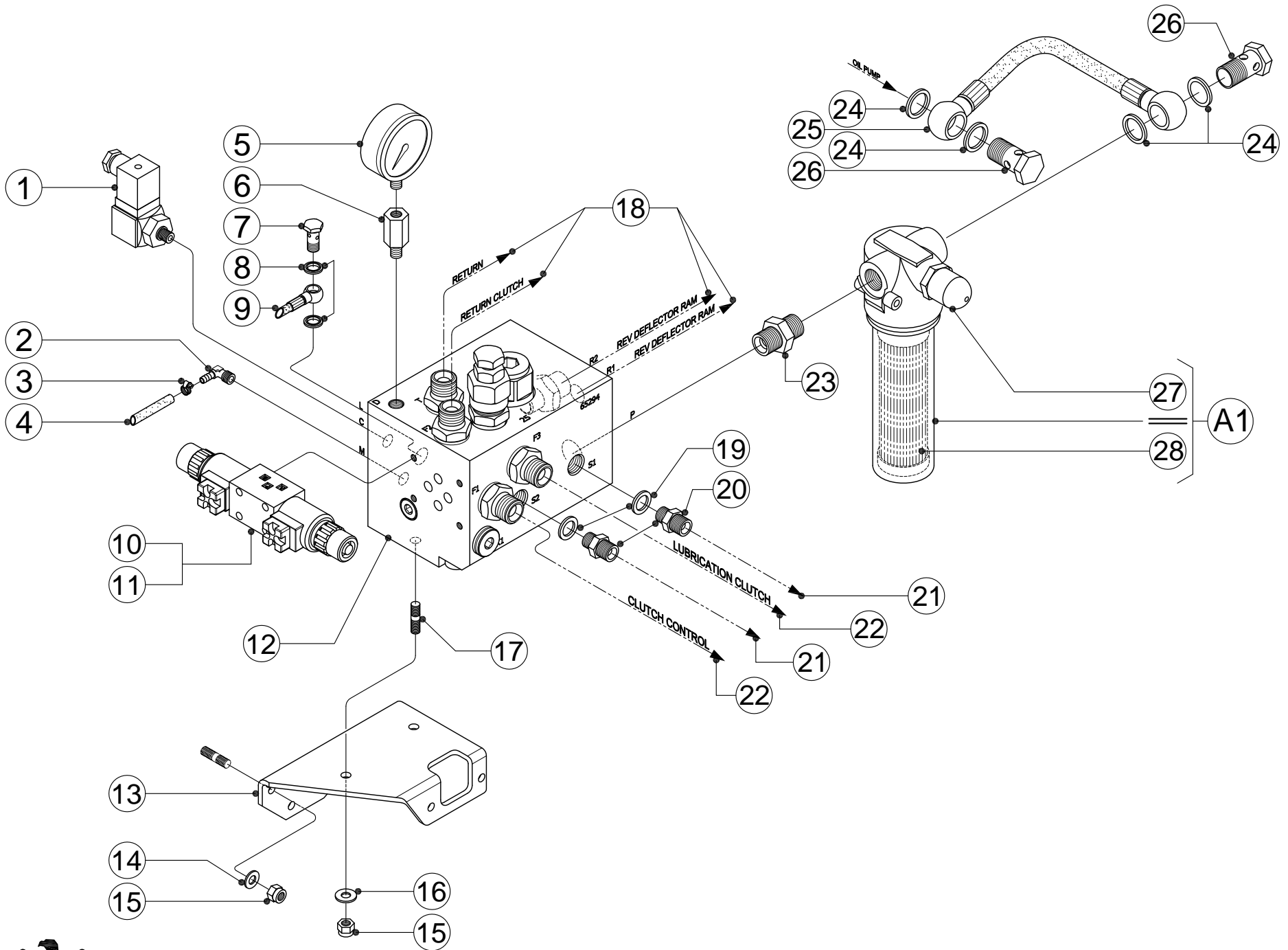
GROUP			ITEM	PART NUMBER	Q.TY	DESCRIPTION	Notes
A	B	C					
A1				592.65553	1	Clutch, Hydromec and Steering Base Assembly for Clear Duct Version	
*			1	500.65174	1	Relief Valve 25 bar	
*			2	300.00863	1	Flow Valve	
*			3	300.00214	5	Reduction Nipple M16x1,5 - M14x1,5	
*			4	380.00335	6	Bonded Gasket 14	
*			5	300.00180	1	Directional Valve	
*			6	572.65294	1	Clutch, Hydromec and Steering Base	
*			7	300.40018	3	Plug 1/8" GAS	
*			8	300.40012	2	Plug M14x1,5	
*			9	300.04147	1	Nipple M14x1,5	



A1 592.65553 - BASE COMPLETA DI VALVOLE PER FRIZIONE, HYDROMECC e STERZO (VERSIONE CLEAR DUCT)
 592.65553 - CLUTCH, HYDROMECC and STEERING BASE ASSEMBLY (CLEAR DUCT VERSION)

240HCT.62/00

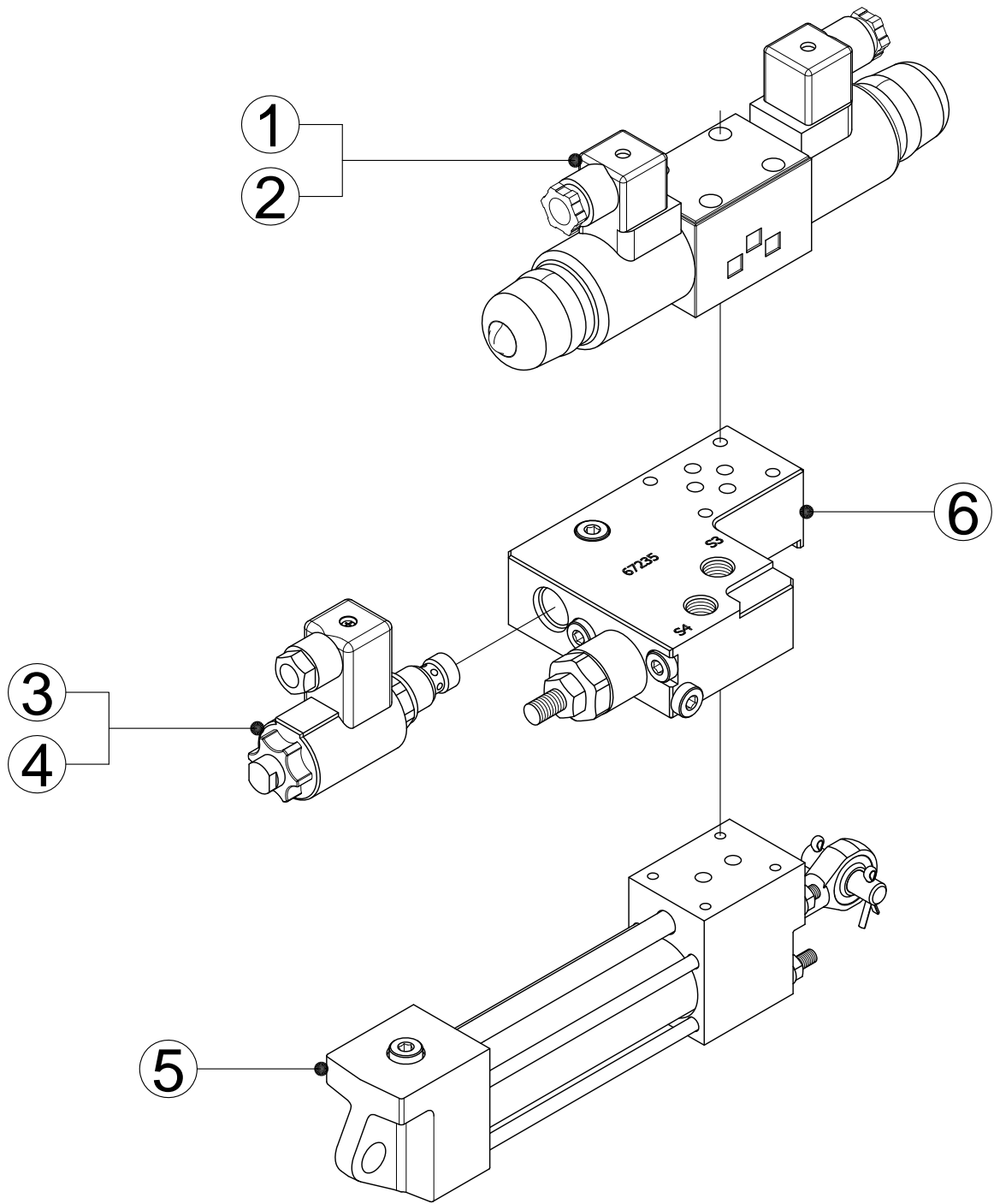
GROUP			ITEM	PART NUMBER	Q.TY	DESCRIPTION	Notes
A	B	C					
A1				300.00455	1	Oil Filter MP	
*			27	300.00572	1	Electrical-Visual Indicator	
*			28	300.00456	1	Filter Cartridge	
			1	300.00811	1	Clutch Pressure Switch	
			2	300.00227	2	Elbow 90° 1/8" GAS for Ø6 Hose	
			3	300.21006	2	Hose Clamp d. 7÷11	
			4	573.65122	1	Oil Pump Lubrication Hose	
			5	300.00752	1	Pressure Gauge	
			6	300.04451	1	Fitting for Pressure Gauge	
			7	300.00733	2	Grub Screw 1/4" GAS	
			8	380.00325	4	Bonded Gasket 1/4" GAS	
			9	580.65610	1	Hose B-B L=700	
			10	500.00145	1	Solenoid Valve 12 V	SEE PAGE 340.47
			11	500.00142	1	Solenoid Valve 24 V	SEE PAGE 340.47
			12	592.65312	1	Clutch, Hydromec and Danfoss Steering Base Assembly	SEE PAGE 240HCT.56
			13	566.65428	1	Base and Oil Filter Support	
			14	314.15080	3	Plain Washer 8,4x14 UNI 6592	
			15	312.45080	5	Torque-Type Hex. Nut M8 UNI 7474	
			16	314.21260	2	Schnorr Spring Washer 8 Fst DIN 6796	
			17	313.15074	2	Stud Bolt M8x30x14x11	
			18	580.16626	4	Hose B-K L=800	
			19	380.00335	2	Bonded Gasket diam. 14	
			20	300.00214	2	Reduction Nipple M16x1,5 - M14x1,5	
			21	580.65204	2	Hose L=340	
			22	580.63251	2	Hose K-K L=650	
			23	300.00762	1	Nipple 1/2" GAS	
			24	380.00327	4	Bonded Gasket 1/2" GAS	
			25	580.19229	1	Oil Pump Hose L=550	
			26	300.00849	2	Grub Screw 1/2" GAS	



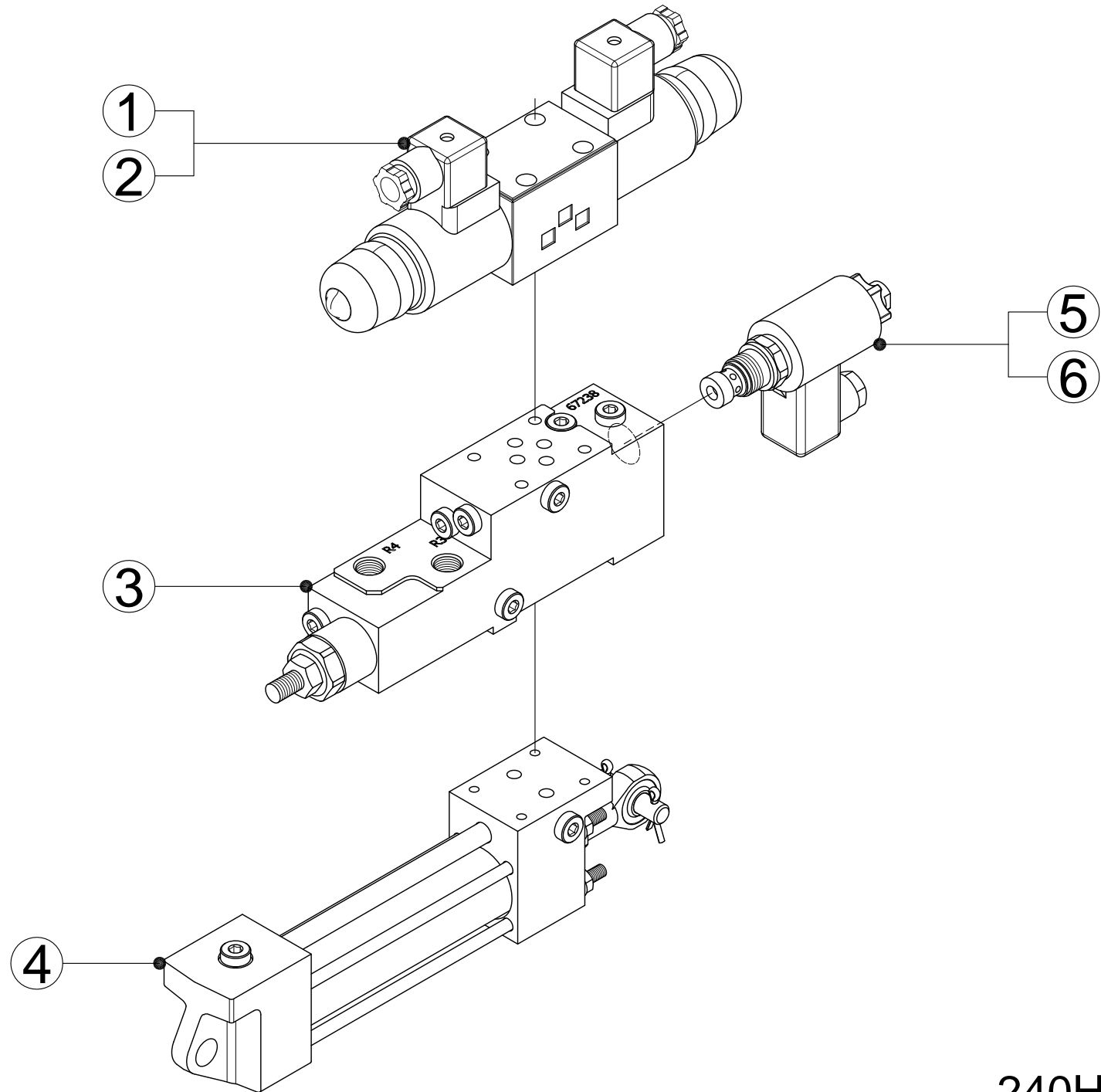
SINGOLA INSTALLAZIONE STERZO E RETRO ACES
 SINGLE INSTALLATION ACES STEERING AND REVERSING SYSTEM

240HCT.63/00

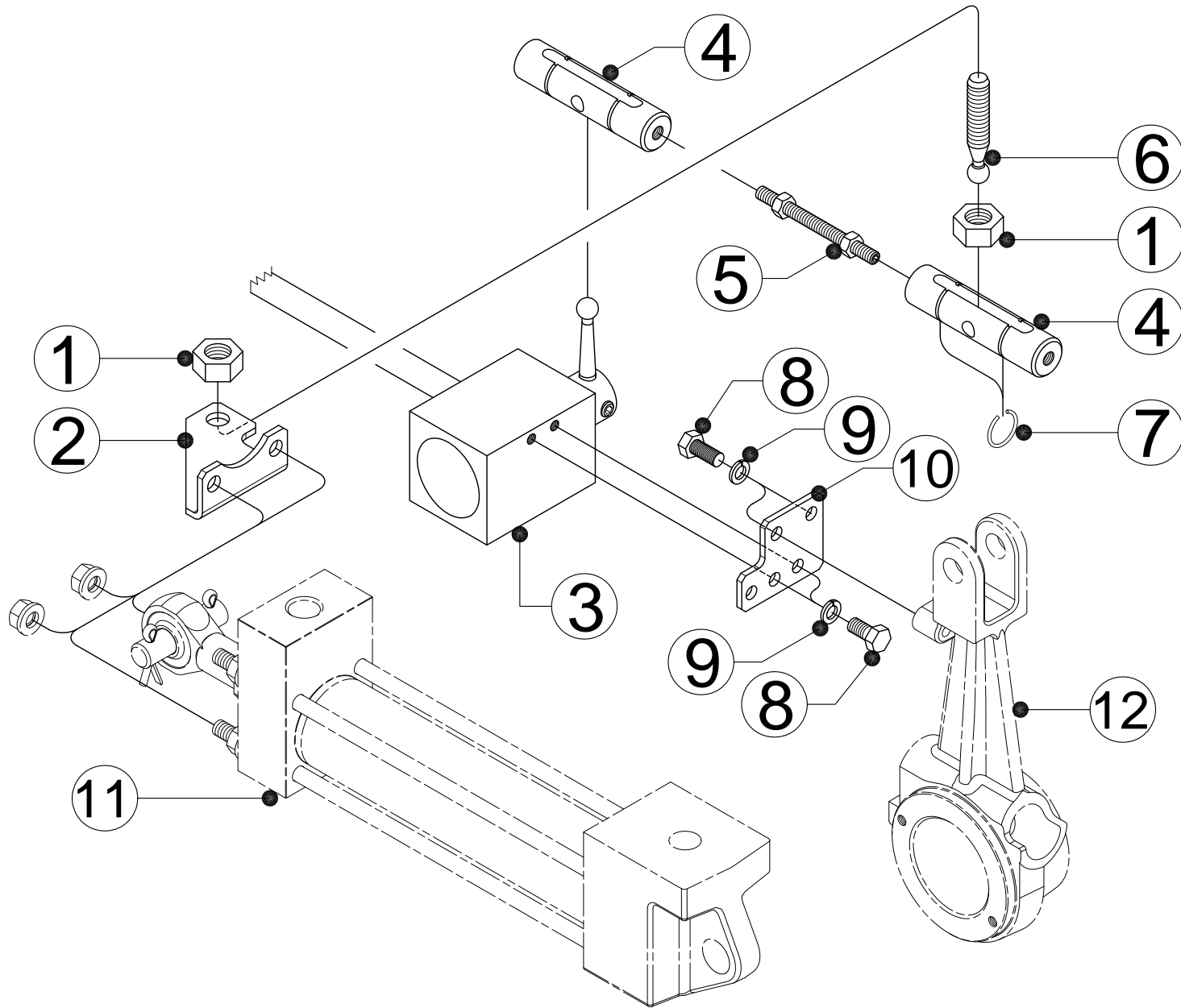
GROUP			ITEM	PART NUMBER	Q.TY	DESCRIPTION	Notes
A	B	C					
			1	500.00225	1	Solenoid Valve 12V	SEE PAGE 340.47
			2	500.00228	1	Solenoid Valve 24V	SEE PAGE 340.47
			3	300.00570	1	Throttle Valve 12V	
			4	300.00571	1	Throttle Valve 24V	
			5	592.65409	1	Hydraulic Steering Ram for ACES	SEE PAGE 240HCT.27
			6	592.65447	1	ACES Steering Hydraulic Ram Base Assembly	SEE PAGE 240HCT.28



GROUP			ITEM	PART NUMBER	Q.TY	DESCRIPTION	Notes
A	B	C					
			1	300.00151	1	Solenoid Valve 12V	SEE PAGE 340.50
			2	300.00150	1	Solenoid Valve 24V	SEE PAGE 340.50
			3	592.65448	1	ACES Reversing System Hydraulic Ram Base Assembly	SEE PAGE 240HCT.31
			4	592.65416	1	ACES Hydraulic Reversing System Ram	SEE PAGE 240HCT.30
			5	300.00570	1	Throttle Valve 12V	
			6	300.00571	1	Throttle Valve 24V	



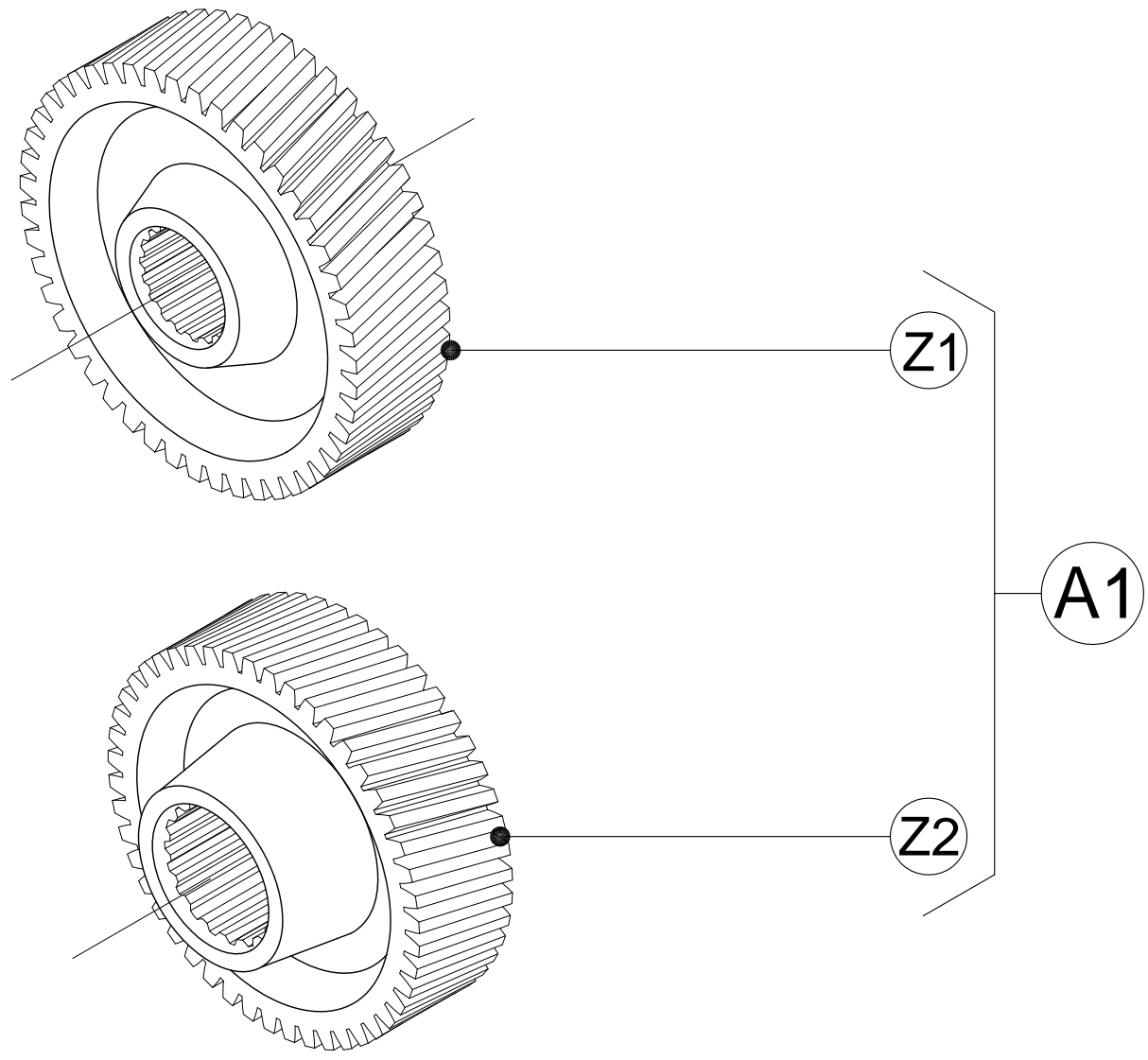
GROUP			ITEM	PART NUMBER	Q.TY	DESCRIPTION	Notes
A	B	C					
A1				592.65641	1	Hall Potentiometer Kit for EL-HY 2 Reversing System	
*			1	312.35080	2	Torque-Type Hex. Nut M8 UNI 5589	
*			2	566.65422	1	Pin Support	
*			3	592.65640	1	Hall Potentiometer for EL-HY 2 PX=47	
*			4	573.16689	2	Joint	
*			5	590.65452	1	Connecting Rod L=39	
*			6	566.63268	1	Pin	
*			7	580.66353	4	Joint Spring Ring	
*			8	311.15077	2	Hexagonal-Head Screw M5x10 UNI 5739	
*			9	314.91078	2	Spring Washer A5,3 UNI1751	
*			10	566.65423	1	Transducer Support	
			11	592.64138	1	Hydraulic Steering Ram for Vetus, Seastar and Danfoss	SEE PAGE 240HCT.23
			12	541.65049	1	Inner Bucket Lever	SEE N.17 PAGE 240HCT.17



A1 592.65641 - KIT TRASDUTTORE HALL PER RETRO EL-HY 2
 592.65641 - HALL POTENTIOMETER KIT for EL-HY 2 REVERSING SYSTEM

240HCT.66/00

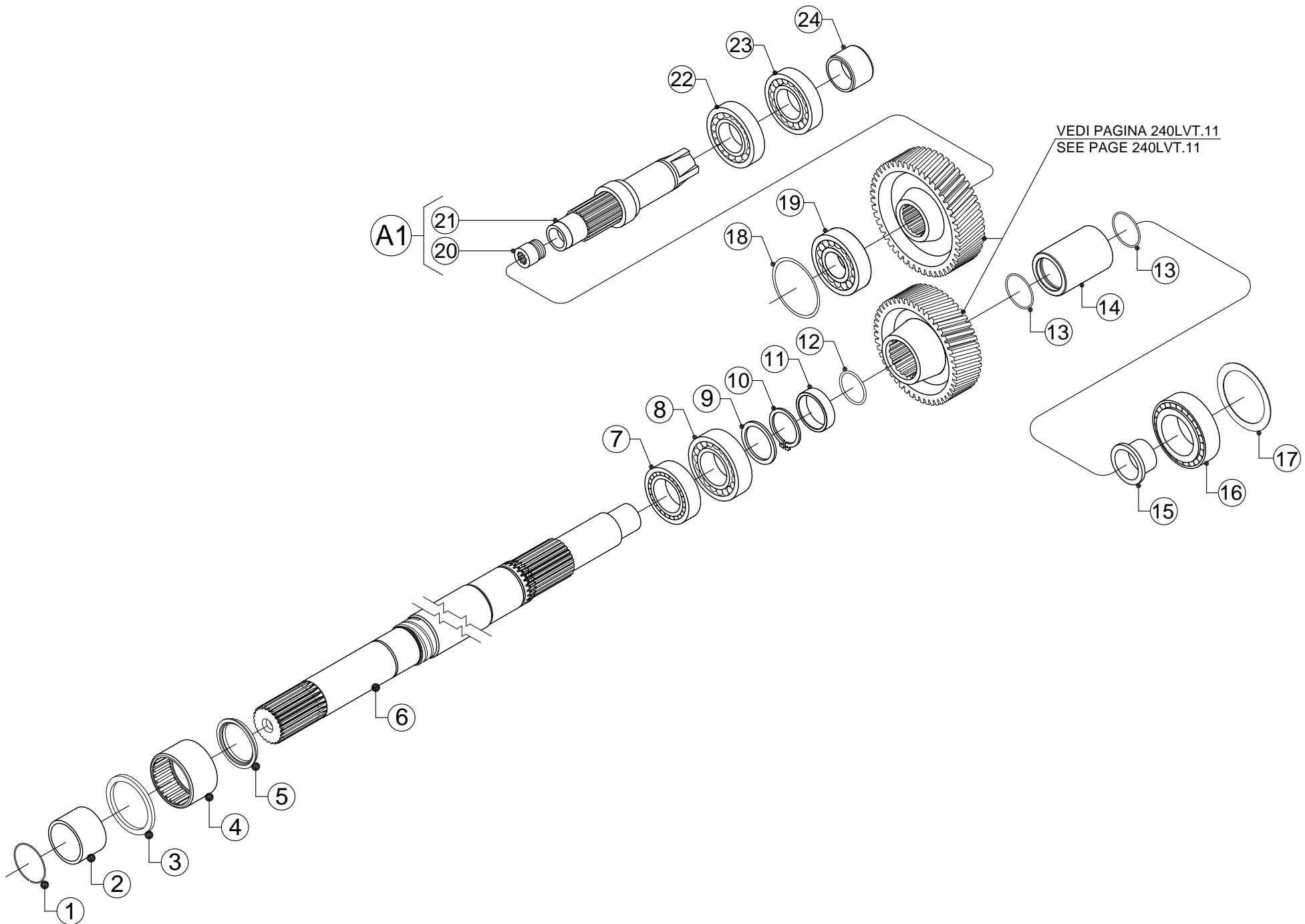
GROUP			ITEM	PART NUMBER	Q.TY	DESCRIPTION	Z1 - Z2		Notes
A	B	C					Z1	Z2	
A1				592.65557	1	Gears	51	47	
				592.65558	1	Gears	50	48	
				592.65559	1	Gears	49	49	
				592.65560	1	Gears	48	50	
				592.65561	1	Gears	47	51	
				592.65562	1	Gears	46	52	
				592.65563	1	Gears	45	53	
				592.65564	1	Gears	44	54	
				592.65565	1	Gears	43	55	
				592.65566	1	Gears	42	56	
				592.65567	1	Gears	41	57	
				592.65568	1	Gears	40	58	
				592.65569	1	Gears	39	59	
				592.65570	1	Gears	38	60	
				592.65571	1	Gears	37	61	
				592.65572	1	Gears	36	62	
			592.65573	1	Gears	35	63		
			592.65574	1	Gears	34	64		



LVT VERSION ONLY

240LVT.11/00

GROUP			ITEM	PART NUMBER	Q.TY	DESCRIPTION	Notes
A	B	C					
A1				592.65146	1	Drive Shaft Assembly	
*			20	564.65039	1	Oil Pump Driver	
*			21	590.65195	1	Drive Shaft	
			1	351.12002	1	Seeger A40 UNI 7433	
			2	373.11607	1	Inner Ring Type IR 4030 diam.40x45x30	
			3	566.65496	1	Shim	
			4	373.11311	1	Straight Roller Bearing diam.45x55x30	
			5	565.65503	1	Ring	
			6	566.65578	1	Impeller Shaft	
			7	372.21356	1	Taper Roller Bearing diam.45x75x20	
			8	372.11490	1	Straight Roller Bearing diam.45x85x23	
			9	379.30005	1	Shim diam.45x56 sp.3 DIN 988	
			10	351.21045	1	External Seeger diam.45 sp.2,5 UNI 7436	
			11	564.65576	1	Short Spacer	
			12	381.14100	1	O-Ring 2162 diam.41x1,78	
			13	381.13965	2	O-Ring 3156 diam. 39,34x2,62	
			14	564.65577	1	Long Spacer	
			15	565.65017	1	Impeller Shaft Bush	
			16	372.21336	1	Taper Roller Bearing diam.40x90x25,25	
			17	379.30016	1	Shim diam.70x90 sp. 0,1÷1 DIN 988	
			18	580.65199	1	Gasket	
			19	372.11465	1	Straight Roller Bearing diam.35x80x21	
			22	371.41401	1	Radial Bearing diam.40x80x18	
			23	372.11850	1	Straight Roller Bearing diam.40x80x18	
			24	566.65040	1	Spacer	



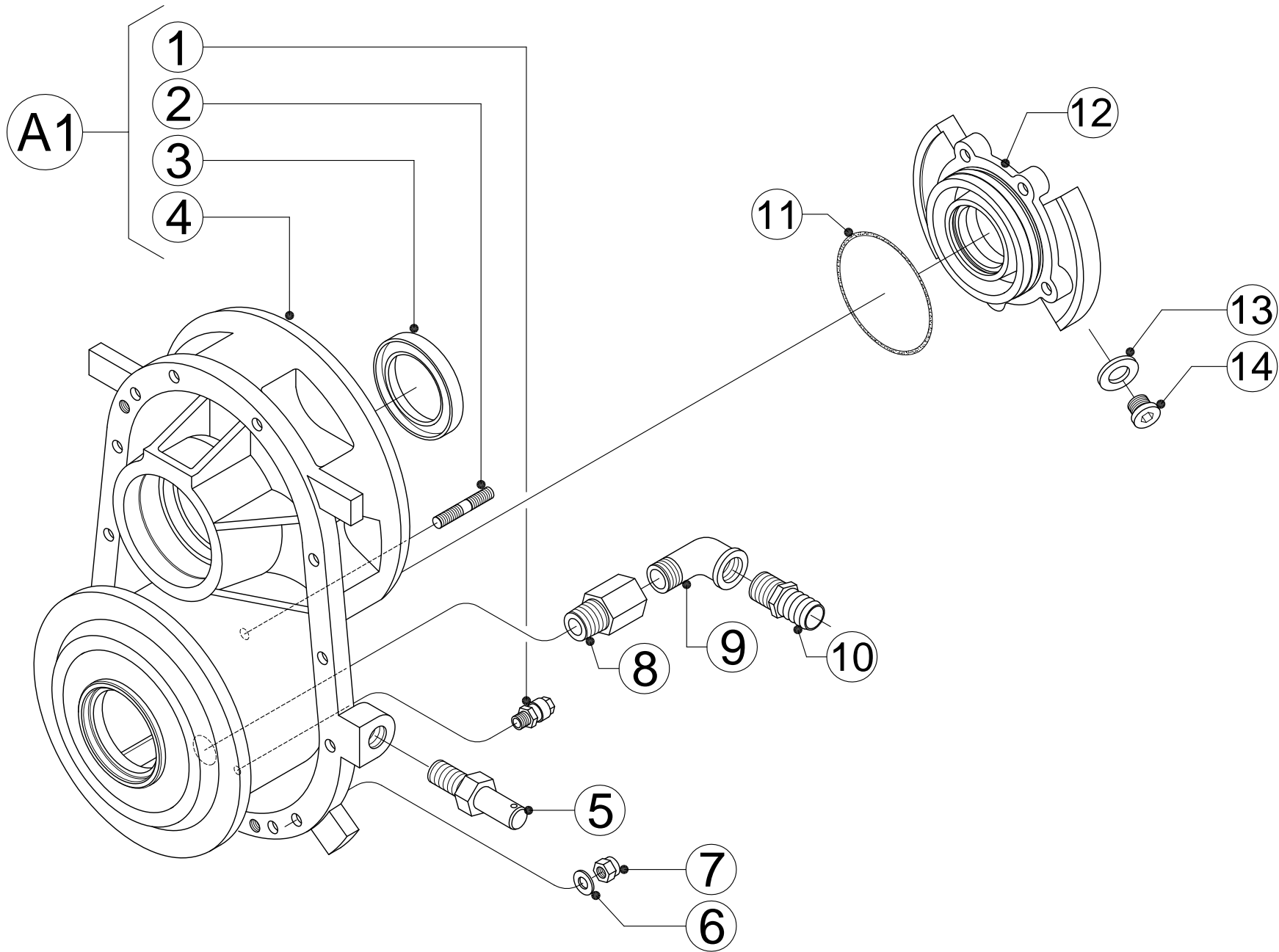
VEDI PAGINA 240LVT.11
SEE PAGE 240LVT.11



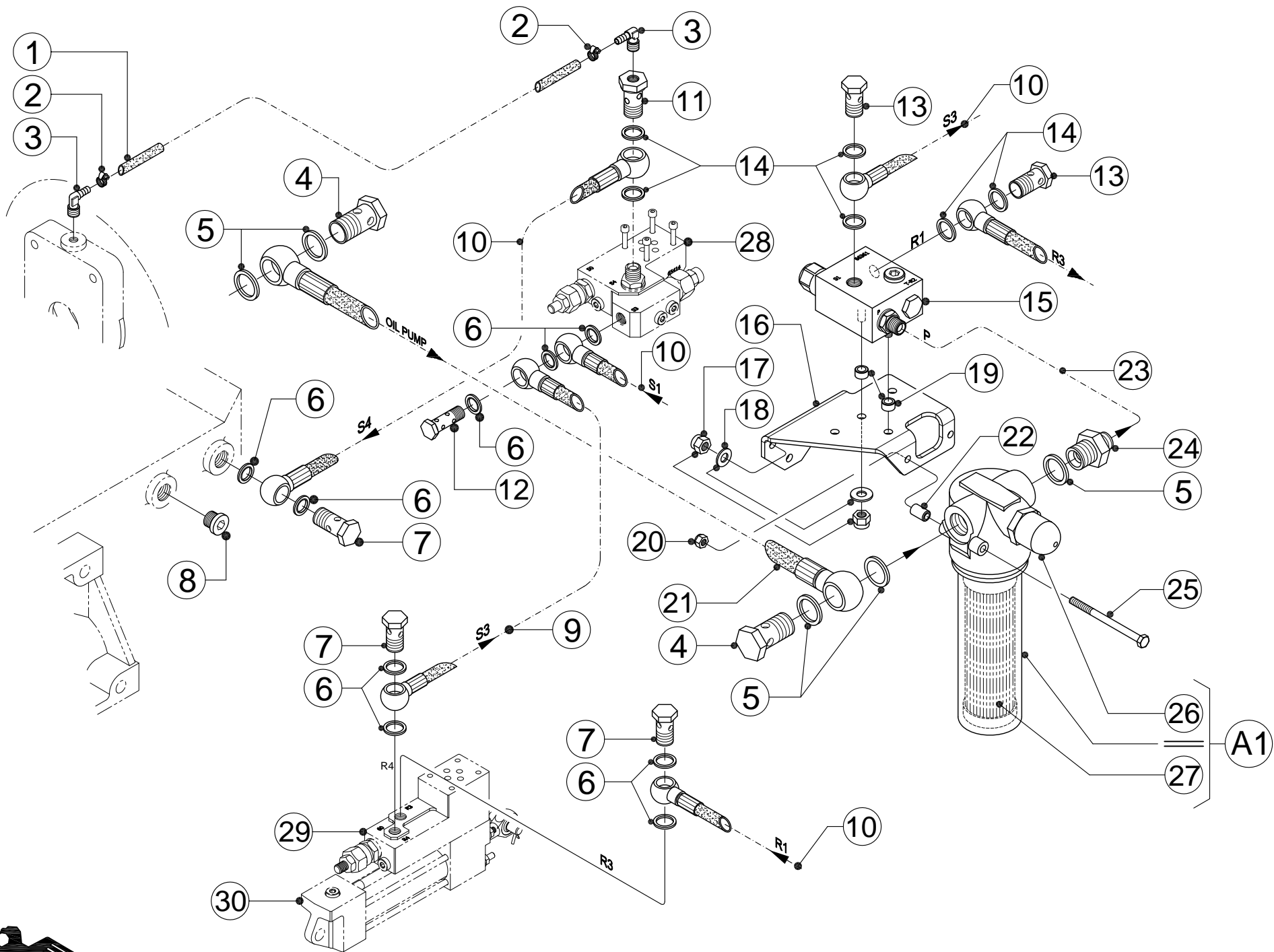
LVT VERSION ONLY

240LVT.12/00

GROUP			ITEM	PART NUMBER	Q.TY	DESCRIPTION	Notes
A	B	C					
A1				592.65579	1	Gear Box Cover Assembly for Standard Version	
*			1	300.00818	1	Hose Fitting 1/8" GAS	
*			2	313.15072	5	Stud Bolt M8x48x20x20	
*			3	382.14520	1	Lip Seal 40x72x10	
*			4	590.65580	1	Gear Box Cover with Diaphragm	
			5	566.65012	1	Grid Pin	
			6	314.91084	11	Plain Washer 8,4x17x1,6 UNI 6592	
			7	312.45082	11	Locknut M8 UNI 7473	
			8	566.65106	1	Extension M/F 1/2" GAS	
			9	300.00186	1	Elbow 90° M/F 1/2" GAS	
			10	300.00187	1	Nipple M 1/2" GAS	
			11	381.18300	1	O-Ring 3325 diam.82,22x2,62	
			12	533.65041	1	Clutch Collector Cover	
			13	380.00335	2	Bonded Gasket 14	
			14	300.40012	2	Plug M14x1,5	



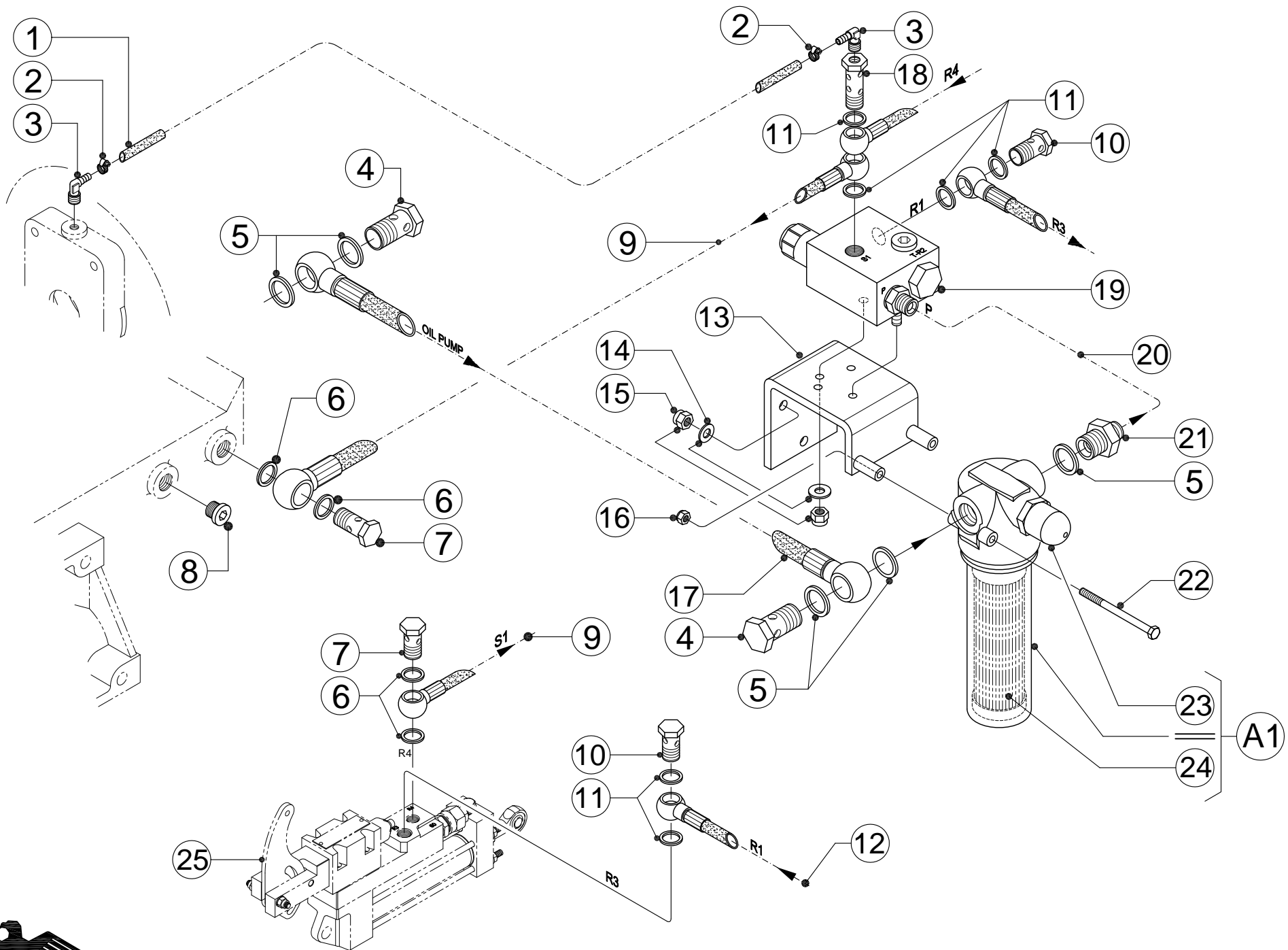
GROUP			ITEM	PART NUMBER	Q.TY	DESCRIPTION	Notes
A	B	C					
A1				300.00455	1	Oil Filter MP	
*			26	300.00572	1	Electrical-Visual Indicator	
*			27	300.00456	1	Filter Cartridge	
			1	573.65122	1	Oil Pump Lubrication Hose	
			2	300.21006	2	Hose Clamp d. 7÷11	
			3	300.00227	2	Elbow 90° 1/8" GAS for Ø6 Hose	
			4	300.00849	2	Grub Screw 1/2" GAS	
			5	380.00327	5	Bonded Gasket 1/2" GAS	
			6	300.00335	10	Bonded Gasket 14	
			7	300.00840	3	Grub Screw M14 x 1,5	
			8	300.40012	1	Plug M14x1,5	
			9	580.10610	1	Hose B-B L=460	
			10	580.67232	3	Hose B-B L=550	
			11	566.65470	1	Grub Screw M16x1,5 with 1/8" GAS Hole	
			12	566.10317	1	Special Grub Screw M14x1,5	
			13	300.00199	2	Grub Screw M16 x 1,5	
			14	380.00336	6	Bonded Gasket diam. 16	
			15	592.65459	1	Flow Base Assembly	
			16	590.16446	1	Oil Filter Support	
			17	312.45082	4	Locknut M8 UNI 7473	
			18	314.21260	4	Schnorr Spring Washer 8 Fst DIN 6796	
			19	566.62369	2	Spacer	
			20	312.45060	2	Locknut M6 DIN 982	
			21	580.65309	1	Oil Pump Hose L=350	
			22	566.65311	2	Spacer Ø12 x 20	
			23	580.63250	1	Hose K-K L=430	
			24	563.10487	1	Reduction Nipple 1/2" GAS - M16x1,5	
			25	311.55071	2	Hexagonal-Head Screw M6 x 80 UNI 5737	
			28	592.65413	1	JOY Steering Ram Base Assembly	SEE PAGE 240LVT.49
			29	592.65590	1	JOY H Reversing System Ram Base Assembly	SEE PAGE 240LVT.48
			30	592.65409	1	ACES Hydraulic Steering Ram	SEE PAGE 240HCT.27



SINGOLO o DOPPIO JET LVT: STERZO e RETRO EE/HY
 SINGLE or TWIN LVT JETS: EE/HY STEERING and REVERSING SYSTEM

240LVT.42/00

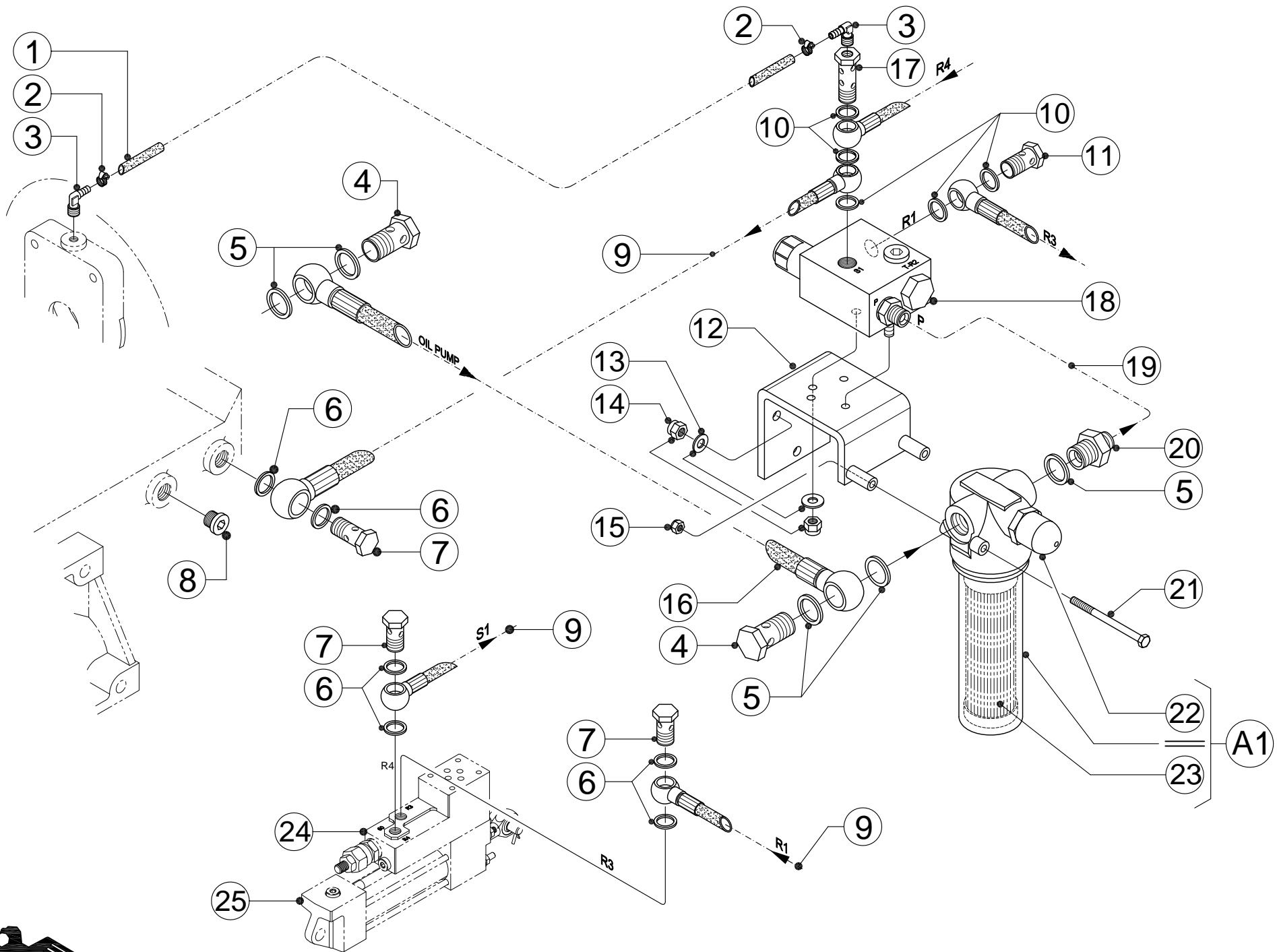
GROUP			ITEM	PART NUMBER	Q.TY	DESCRIPTION	Notes
A	B	C					
A1				300.00455	1	Oil Filter MP	
*			23	300.00572	1	Electrical-Visual Indicator	
*			24	300.00456	1	Filter Cartridge	
			1	573.65122	1	Oil Pump Lubrication Hose	
			2	300.21006	2	Hose Clamp d. 7±11	
			3	300.00227	2	Elbow 90° 1/8" GAS for Ø6 Hose	
			4	300.00849	2	Grub Screw 1/2" GAS	
			5	380.00327	5	Bonded Gasket 1/2" GAS	
			6	300.00335	4	Bonded Gasket 14	
			7	300.00840	2	Grub Screw M14 x 1,5	
			8	300.40012	1	Plug M14x1,5	
			9	580.67232	2	Hose B-B L=550	
			10	300.00199	2	Grub Screw M16 x 1,5	
			11	380.00336	5	Bonded Gasket diam. 16	
			12	580.64203	1	Hose B-B L=600	
			13	590.16446	1	Oil Filter Support	
			14	314.21260	4	Schnorr Spring Washer 8 Fst DIN 6796	
			15	312.45082	4	Locknut M8 UNI 7473	
			16	312.45060	2	Locknut M6 DIN 982	
			17	580.65309	1	Oil Pump Hose L=350	
			18	500.65449	1	Special Grub Screw M16x1,5	
			19	592.65459	1	Flow Base Assembly	
			20	580.63250	1	Hose K-K L=430	
			21	563.10487	1	Reduction Nipple 1/2" GAS - M16x1,5	
			22	311.15105	2	Hexagonal-Head Screw M6 x 90 UNI 5737	
			25	592.65350	1	Hydromec Hydraulic Assistance	SEE PAGE 240HCT.25



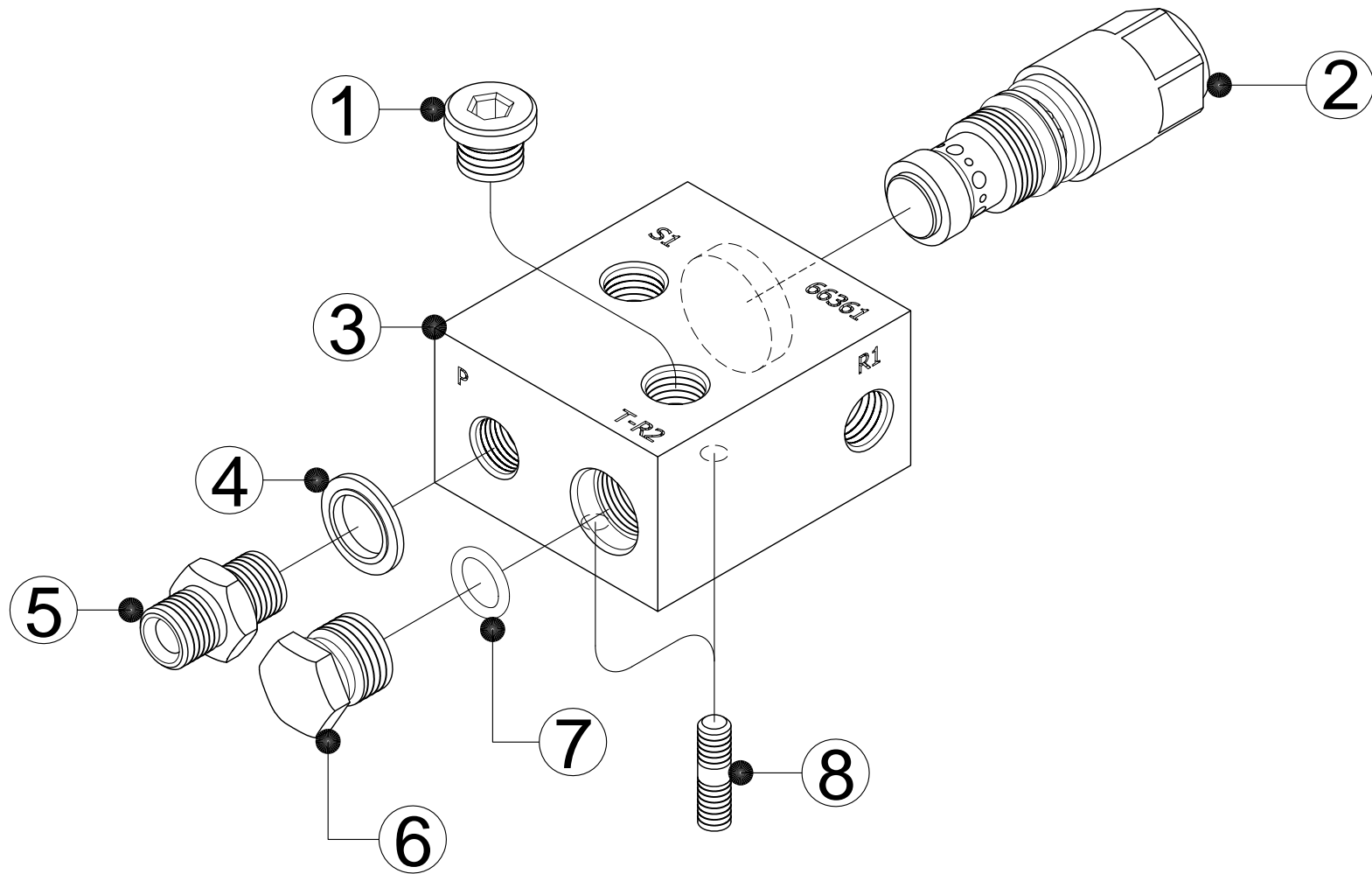
SINGOLO o DOPPIO JET LVT: STERZO VETUS e RETRO HYDROMECH
 SINGLE or TWIN LVT JETS: VETUS STEERING and HYDROMECH REVERSING SYSTEM

240LVT.45/00

GROUP			ITEM	PART NUMBER	Q.TY	DESCRIPTION	Notes
A	B	C					
A1				300.00455	1	Oil Filter MP	
*			22	300.00572	1	Electrical-Visual Indicator	
*			23	300.00456	1	Filter Cartridge	
			1	573.65122	1	Oil Pump Lubrication Hose	
			2	300.21006	2	Hose Clamp d. 7÷11	
			3	300.00227	2	Elbow 90° 1/8" GAS for Ø6 Hose	
			4	300.00849	2	Grub Screw 1/2" GAS	
			5	380.00327	5	Bonded Gasket 1/2" GAS	
			6	300.00335	6	Bonded Gasket 14	
			7	300.00840	3	Grub Screw M14 x 1,5	
			8	300.40012	1	Plug M14x1,5	
			9	580.67232	3	Hose B-B L=550	
			10	380.00336	5	Bonded Gasket diam. 16	
			11	300.00199	1	Grub Screw M16 x 1,5	
			12	590.16446	1	Oil Filter Support	
			13	314.21260	4	Schnorr Spring Washer 8 Fst DIN 6796	
			14	312.45082	4	Locknut M8 UNI 7473	
			15	312.45060	2	Locknut M6 DIN 982	
			16	580.65309	1	Oil Pump Hose L=350	
			17	500.65449	1	Special Grub Screw M16x1,5 with 1/8" GAS Hole	
			18	592.65459	1	Flow Base Assembly	
			19	580.63250	1	Hose K-K L=430	
			20	563.10487	1	Reduction Nipple 1/2" GAS - M16x1,5	
			21	311.15105	2	Hexagonal-Head Screw M6 x 90 UNI 5737	
			24	592.65590	1	JOY H Reversing System Ram Base Assembly	SEE PAGE 240LVT.48
			25	592.65409	1	ACES Hydraulic Steering Ram	SEE PAGE 240HCT.27



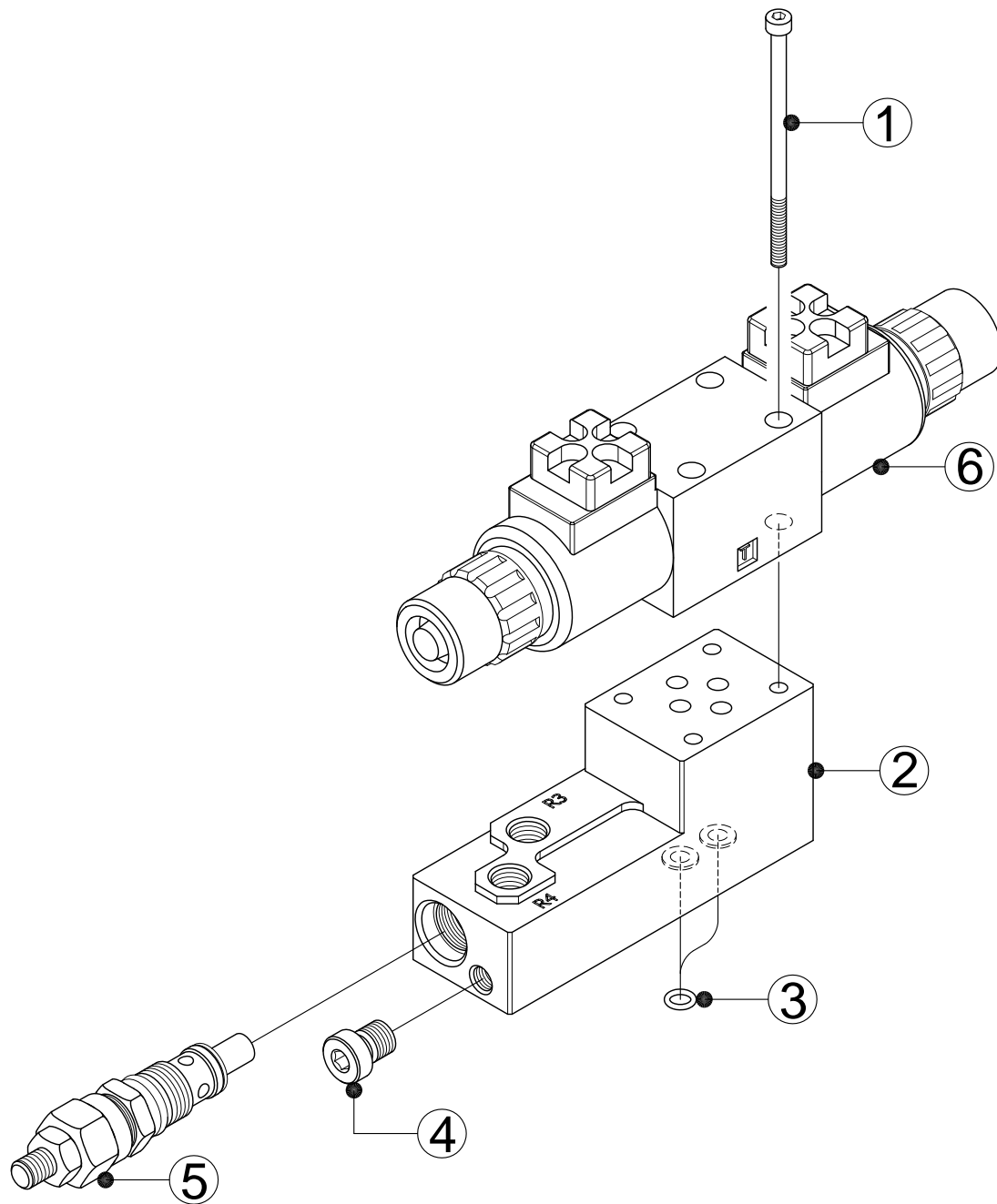
GROUP			ITEM	PART NUMBER	Q.TY	DESCRIPTION	Notes
A	B	C					
A1				592.65459	1	Flow and Pressure Base Assembly	
*			1	300.40013	1	Plug M16x1,5	
*			2	300.00863	1	Flow Valve	
*			3	572.66361	1	Flow and Pressure Base	
*			4	380.00336	1	Bonded Gasket diam. 16	
*			5	300.00783	1	Nipple M16x1,5	
*			6	566.67179	1	Special Plug M20x1,5	
*			7	381.11588	1	OR 121 diam. 15,88x2,62	
*			8	313.15074	2	Stud Bolt M8x30x14x11	



A1 592.65459 - BASE DI FLUSSO E PRESSIONE COMPLETA
 592.65459 - FLOW AND PRESSURE BASE ASSEMBLY

240LVT.47/00

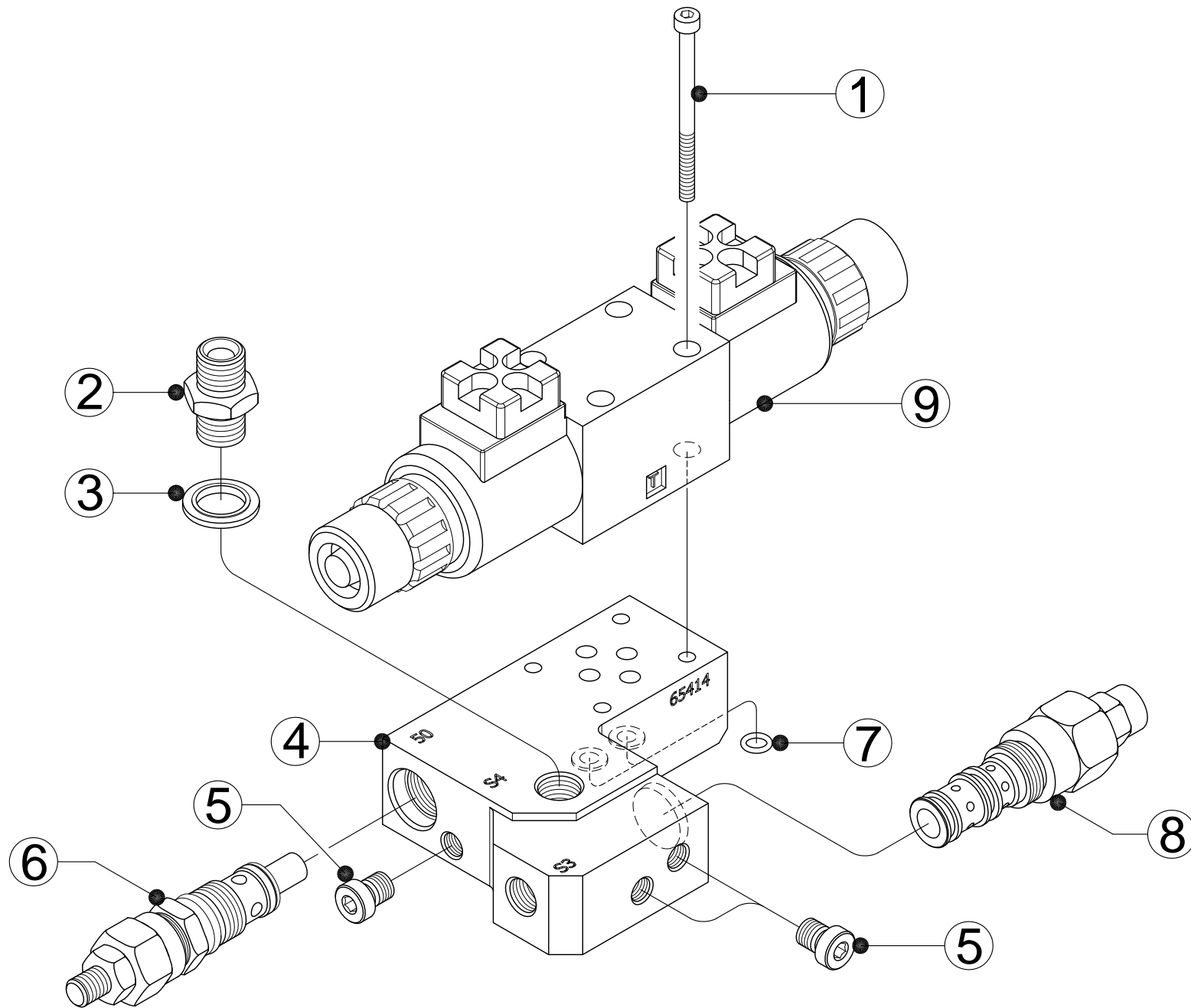
GROUP			ITEM	PART NUMBER	Q.TY	DESCRIPTION	Notes
A	B	C					
A1				592.65590	1	JOY H Reversing System Ram Base Assembly	
*			1	311.55056	4	Hexagonal-Head Screw M5x95 UNI 5931	
*			2	572.67295	1	JOY H Reversing System Ram Base	
*			3	381.10680	2	O-Ring 108 diam. 8,73x1,78	
*			4	300.40018	1	Plug 1/8" GAS	
*			5	500.65443	1	Relief Valve 60bar	
			6	300.00225	1	Solenoid Valve 12V	MUST BE ORDERED APART - SEE "B1" PAGE 340.47



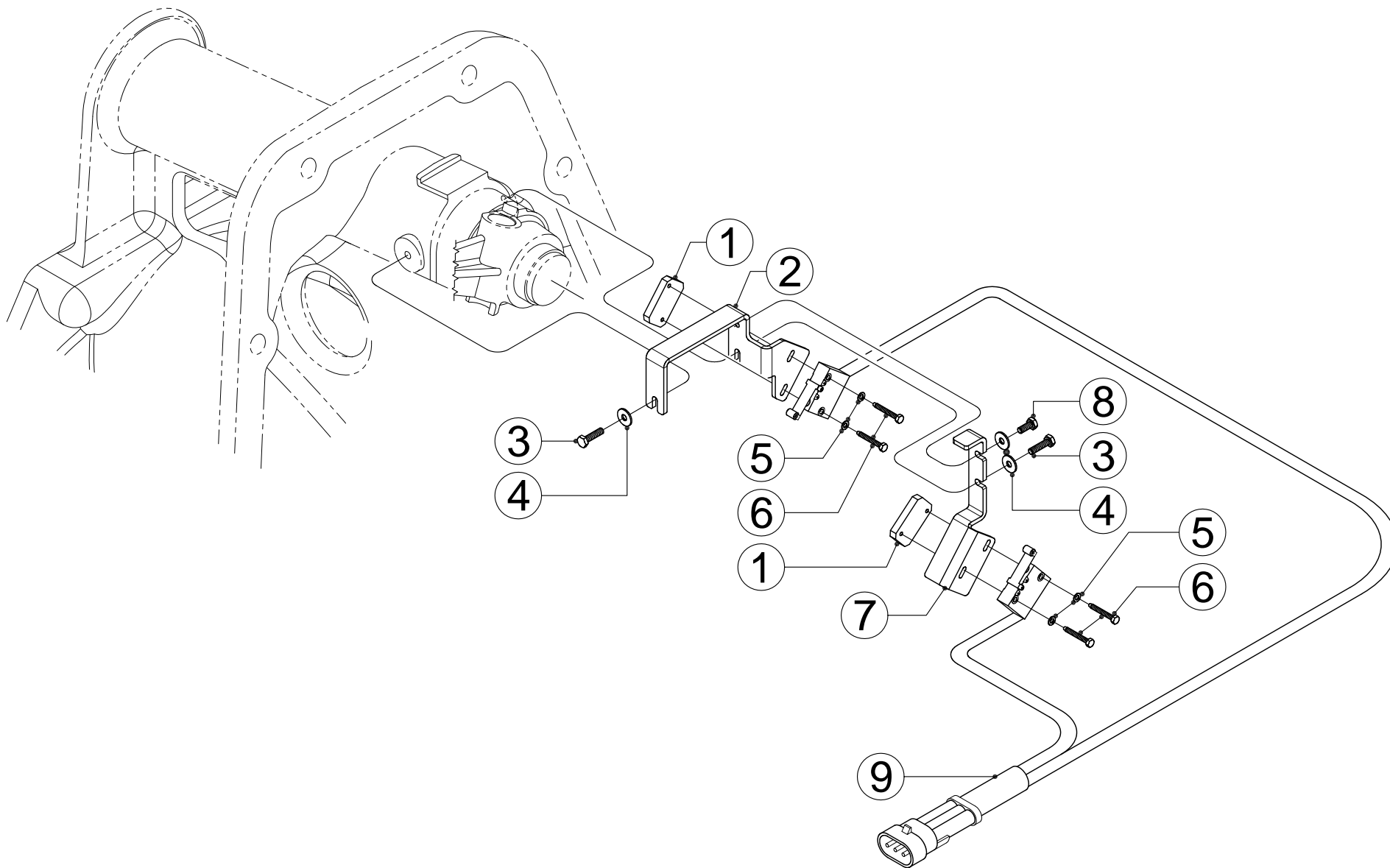
A1 592.65590 - BASE COMPLETA PER CILINDRO RETRO JOY H
592.65590 - JOY H REVERSING SYSTEM RAM BASE ASSEMBLY

240LVT.48/00

GROUP			ITEM	PART NUMBER	Q.TY	DESCRIPTION	Notes
A	B	C					
A1				592.65413	1	JOY H Steering Ram Base Assembly	
*			1	311.55069	4	Hexagonal-Head Screw M5x70 UNI 5931	
*			2	300.00783	1	Nipple M16x1,5	
*			3	380.00336	1	Bonded Gasket diam. 16	
*			4	572.65414	1	JOY H Steering Ram Base	
*			5	300.40018	3	Plug 1/8" GAS	
*			6	500.65341	1	Relief Valve 50 bar	
*			7	381.10680	2	O-Ring 108 diam. 8,73x1,78	
*			8	300.00867	1	Priority Flow Control Valve	
			9	300.00225	1	Solenoid Valve 12V	MUST BE ORDERED APART - SEE "B1" PAGE 340.47



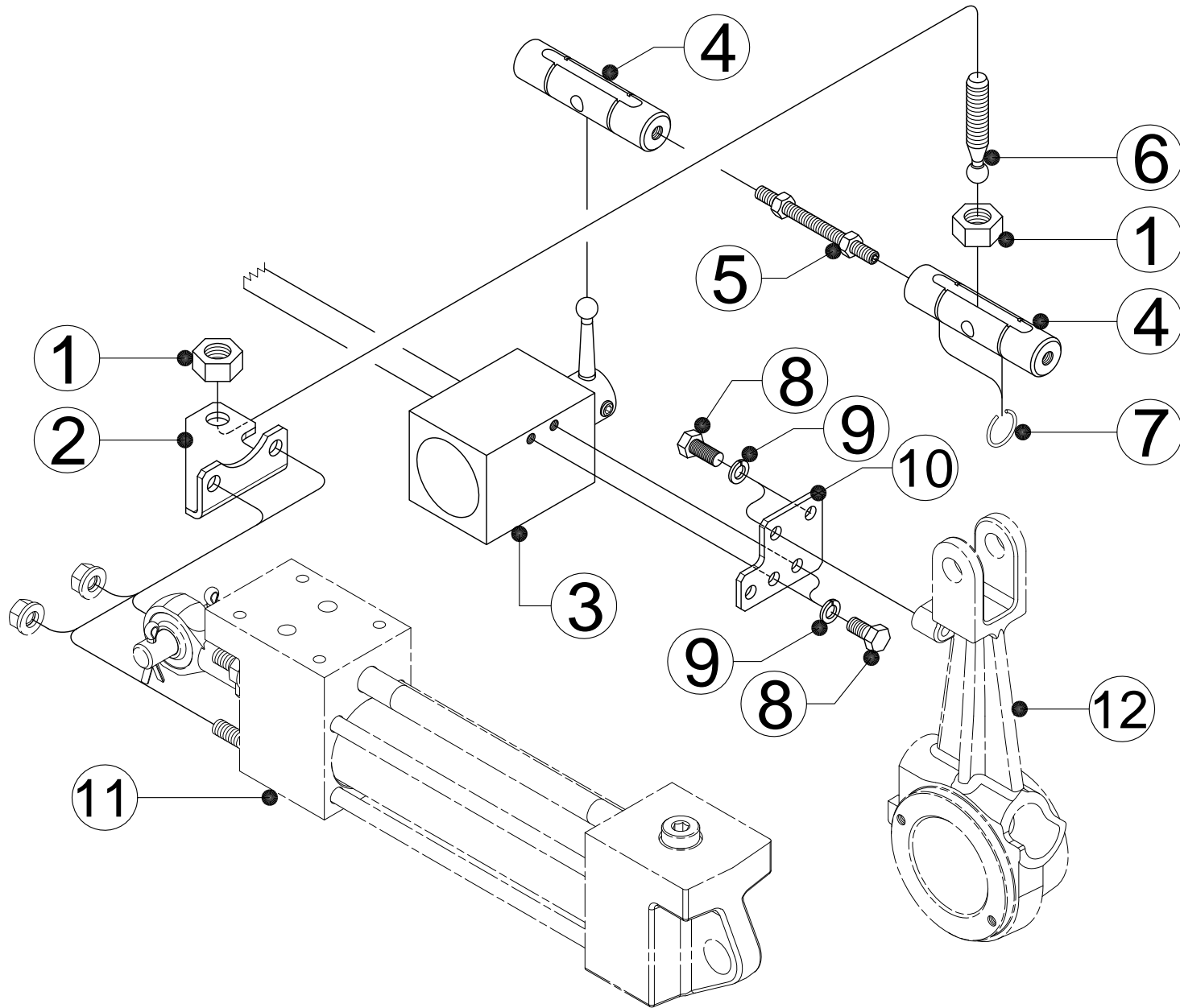
GROUP			ITEM	PART NUMBER	Q.TY	DESCRIPTION	Notes
A	B	C					
A1				592.65471	1	Kit Neutral Switch	
*			1	552.65474	2	Switch Support	
*			2	566.65472	1	Long Neutral Switch Support	
*			3	311.15072	2	Hexagonal-Head Screw M4x16 UNI 5739	
*			4	314.90039	3	Plain Washer 4,3x12x1 UNI 6593	
*			5	314.90038	4	Plain Washer 3,2 UNI 6592	
*			6	315.10641	4	Self-Tapping Screw Type B 2,9x22 UNI 6949	
*			7	566.65473	1	Short Neutral Switch Support	
*			8	311.15071	1	Hexagonal-Head Screw M4x10 UNI 5739	
*			9	580.70131	1	Microswitch Assembly	



A1
 592.65471 - INTERRUTTORI di NEUTRO
 592.65471 - NEUTRAL SWITCHES

240LVT.50/00

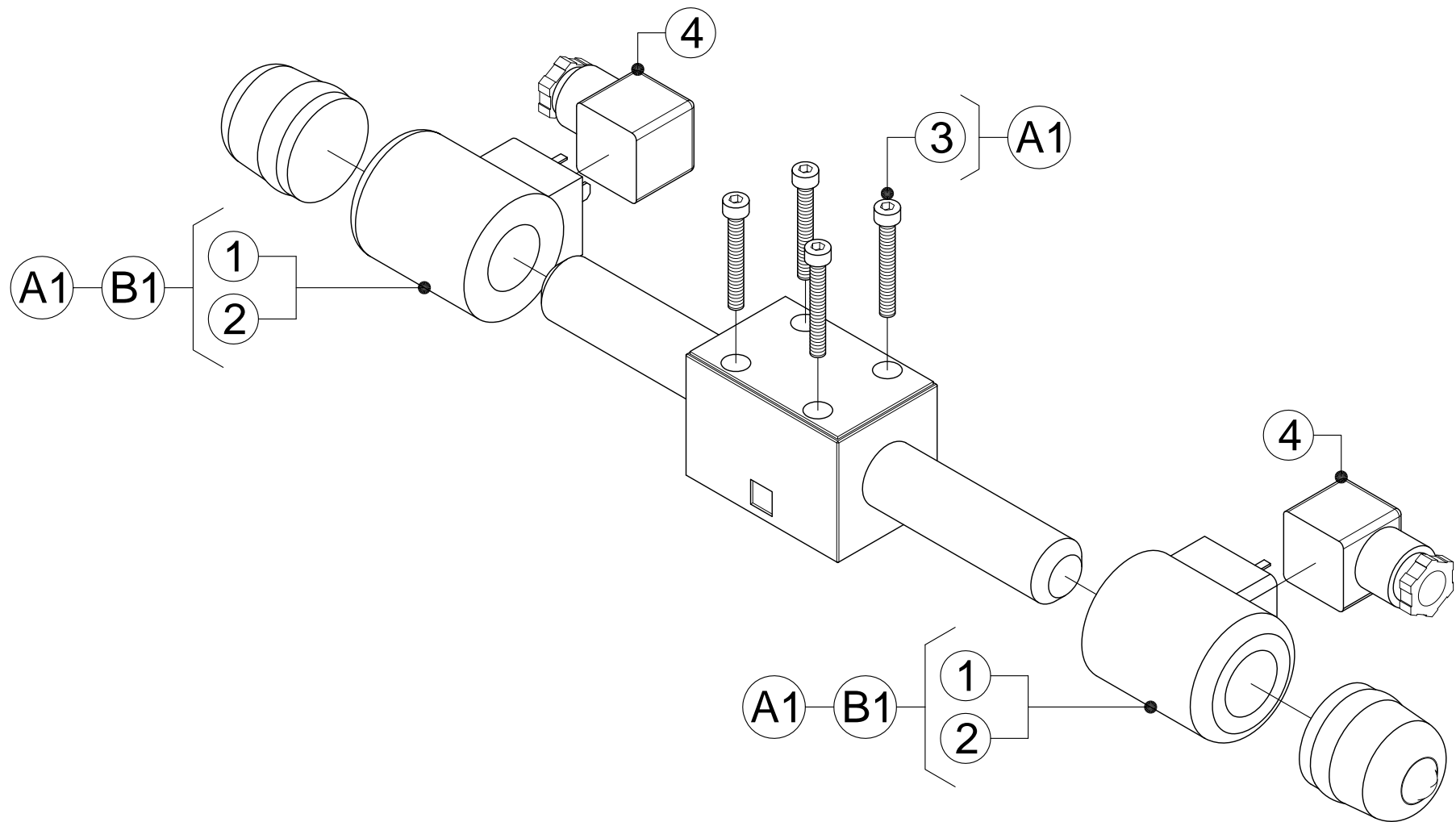
GROUP			ITEM	PART NUMBER	Q.TY	DESCRIPTION	Notes
A	B	C					
A1				592.65641	1	Hall Potentiometer Kit for EL-HY 2 Reversing System	
*			1	312.35080	2	Torque-Type Hex. Nut M8 UNI 5589	
*			2	566.65422	1	Pin Support	
*			3	592.65640	1	Hall Potentiometer for EL-HY 2 PX=47	
*			4	573.16689	2	Joint	
*			5	590.65452	1	Connecting Rod L=39	
*			6	566.63268	1	Pin	
*			7	580.66353	4	Joint Spring Ring	
*			8	311.15077	2	Hexagonal-Head Screw M5x10 UNI 5739	
*			9	314.91078	2	Spring Washer A5,3 UNI1751	
*			10	566.65423	1	Transducer Support	
			11	592.65416	1	ACES Hydraulic Reversing System Ram	SEE PAGE 240HCT.30
			12	541.65049	1	Inner Bucket Lever	SEE N.17 PAGE 240HCT.17



A1 592.65641 - KIT TRASDUTTORE HALL PER RETRO EL-HY 2
 592.65641 - HALL POTENTIOMETER KIT for EL-HY 2 REVERSING SYSTEM

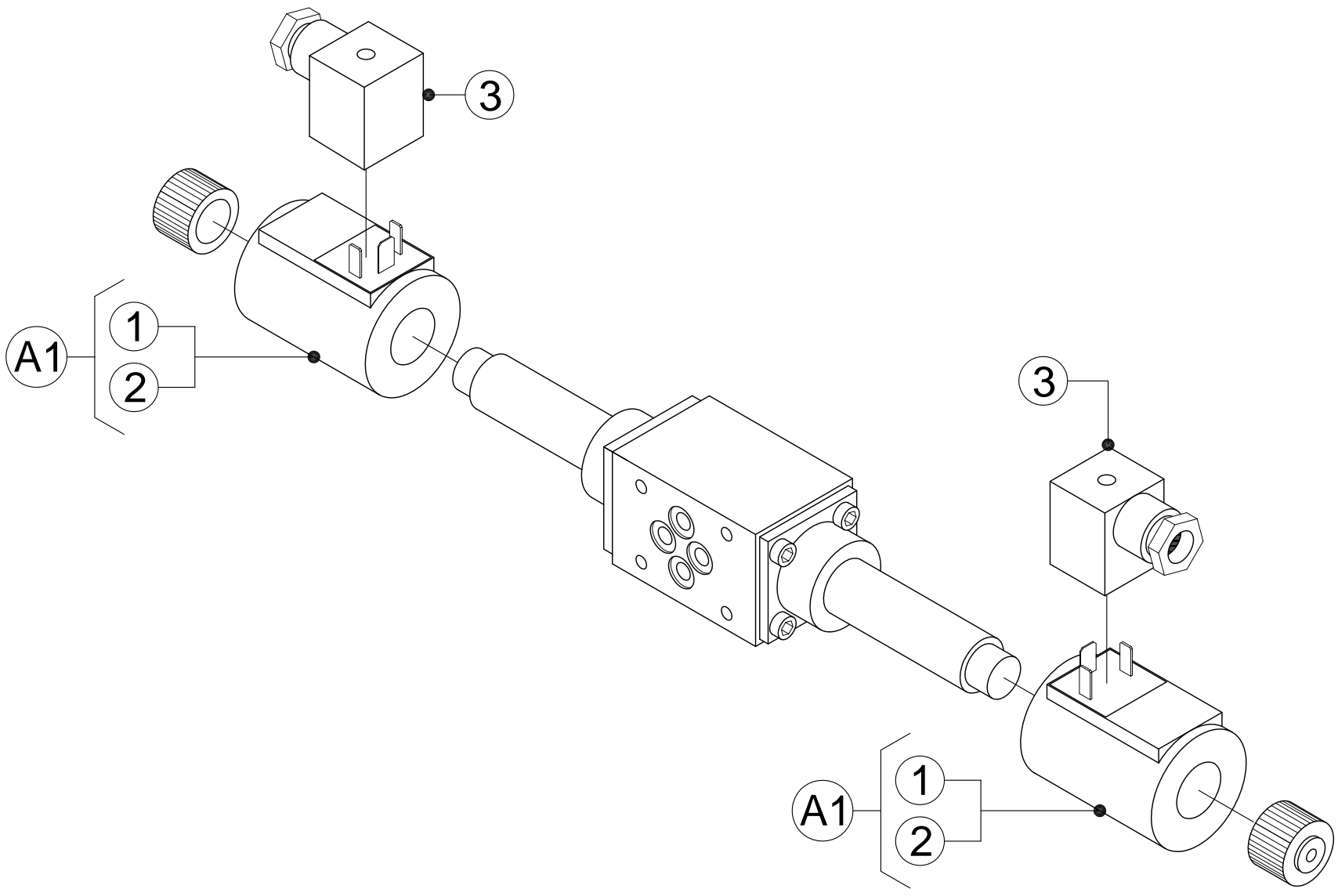
GROUP			ITEM	PART NUMBER	Q.TY	DESCRIPTION	Notes
A	B	C					
A1				500.00145	1	Solenoid Valve 12V Assembly	
				500.00142	1	Solenoid Valve 24V Assembly	
				500.00225	1	Solenoid Valve 12V Assembly	
				500.00228	1	Solenoid Valve 24V Assembly	
*	B1			300.00145	1	Solenoid Valve 12 V	
				300.00142	1	Solenoid Valve 24 V	
				300.00225	1	Solenoid Valve 12 V	
				300.00228	1	Solenoid Valve 24 V	
	*		1	300.00128	1	Solenoid 12 V	
	*		2	300.00129	1	Solenoid 24 V	
*			3	311.55055	4	Allen Screw M5x30 UNI 5931	
			4	300.00372	2	Connector for Electro-Valve	MUST BE ORDERED APART

ALWAYS REFER TO THE INSTALLATION PAGES TO ORDER THE RIGHT CODE



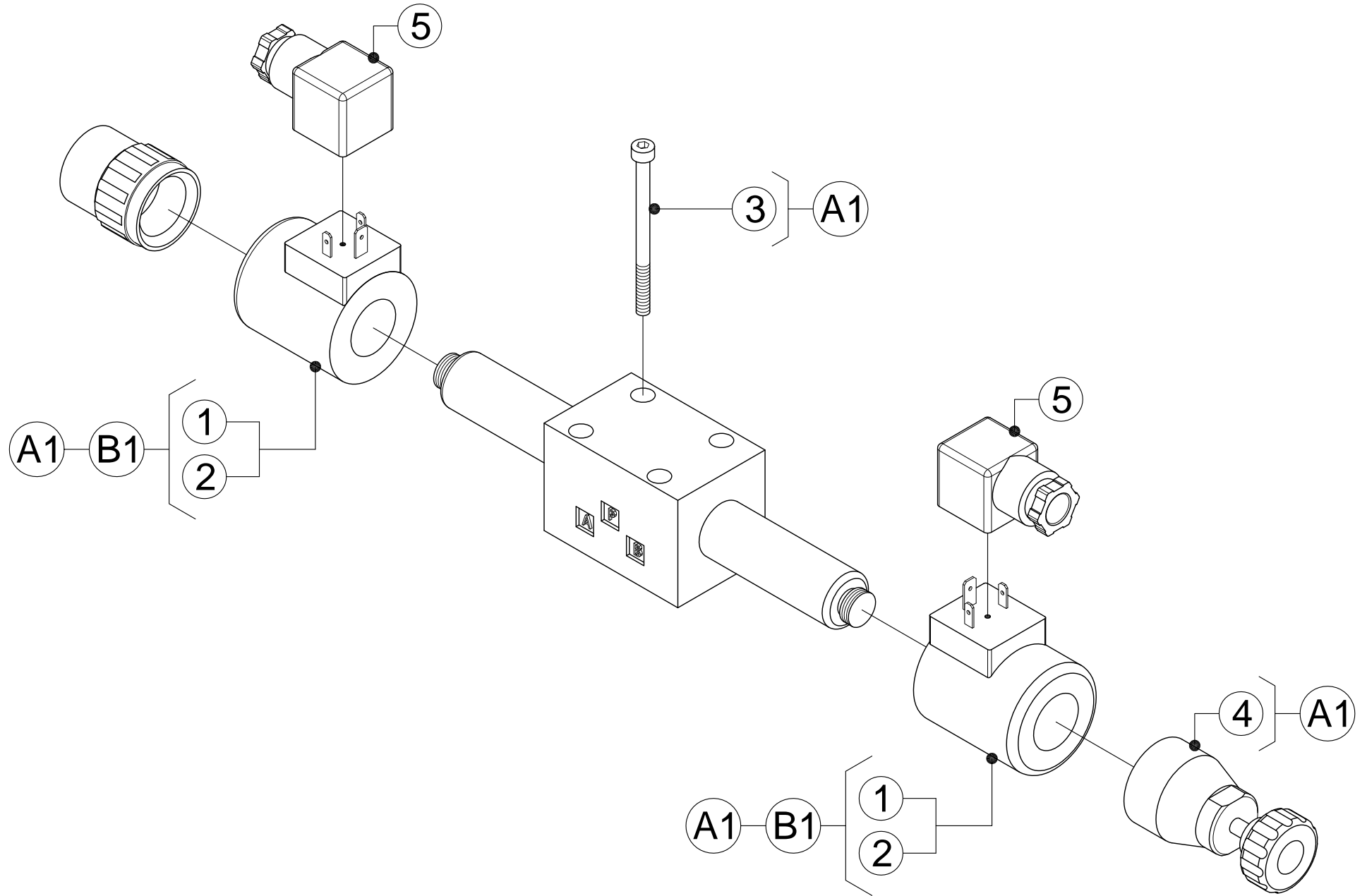
GROUP			ITEM	PART NUMBER	Q.TY	DESCRIPTION	Notes
A	B	C					
A1				300.00151	1	Solenoid Valve 12V	
				300.00150	1	Solenoid Valve 24V	
*			1	300.00133	1	Solenoid 12 V	
*			2	300.00134	1	Solenoid 24 V	
			3	300.00372	1	Connector for Electro-Valve	MUST BE ORDERED APART

ALWAYS REFER TO THE INSTALLATION PAGES TO ORDER THE RIGHT CODE

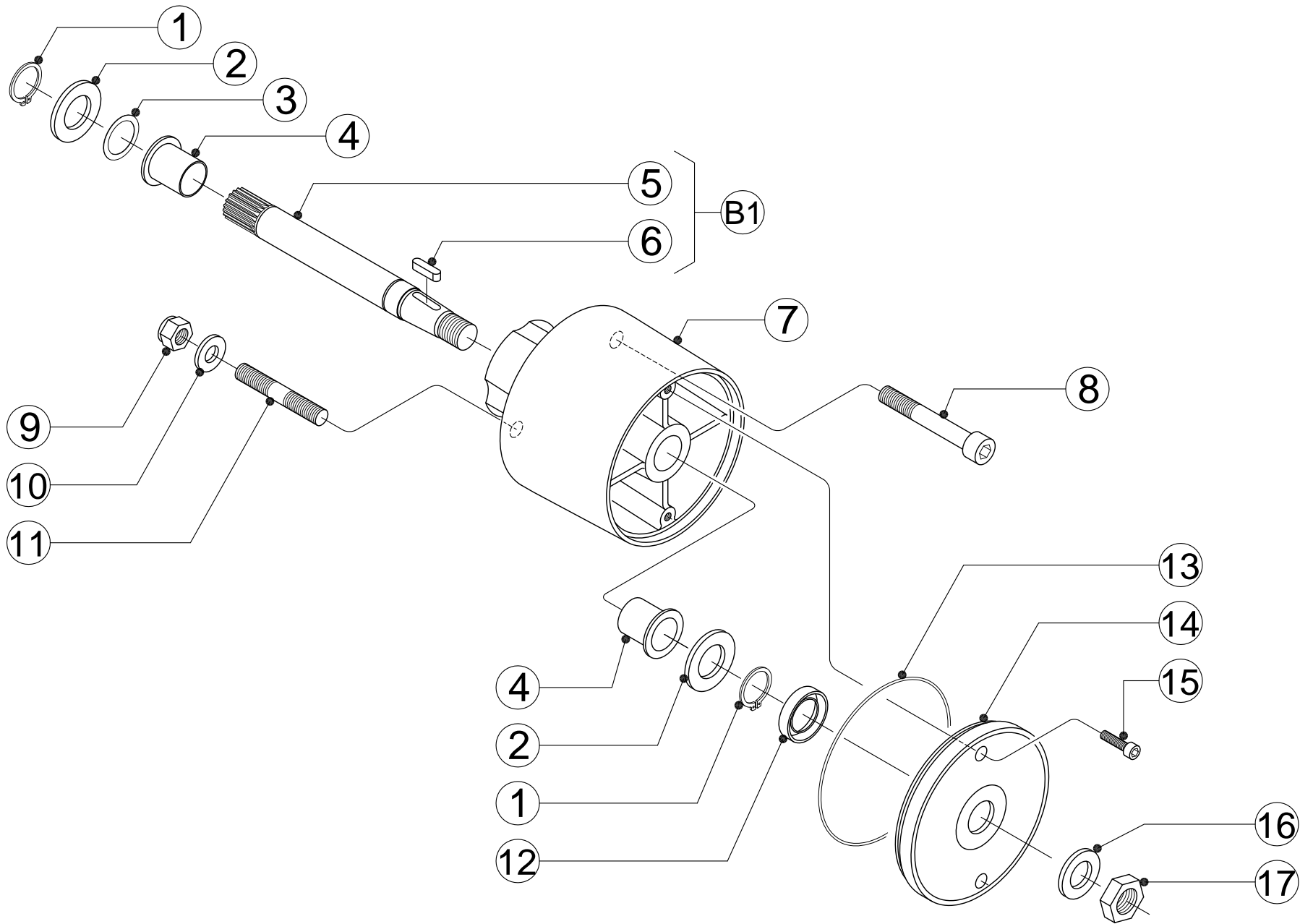


GROUP			ITEM	PART NUMBER	Q.TY	DESCRIPTION	Notes
A	B	C					
A1				500.00138	1	Solenoid Valve 14V Assembly	WITH 580.09448 LABEL INCLUDED
				500.00548	1	Solenoid Valve 28V Assembly	WITH 580.09448 LABEL INCLUDED
*	B1			300.00138	1	Solenoid Valve 14 V	
				300.00548	1	Solenoid Valve 28 V	
	*		1	300.00126	1	Solenoid 14 V	
	*		2	300.00132	1	Solenoid 28 V	
*			3	311.55055	4	Allen Screw M5x30 UNI 5931	
*			4	300.00924	1	Manual Override	
			5	300.00372	2	Connector for Electro-Valve	MUST BE ORDERED APART

ALWAYS REFER TO THE INSTALLATION PAGES TO ORDER THE RIGHT CODE



GROUP			ITEM	PART NUMBER	Q.TY	DESCRIPTION	Notes
A	B	C					
A1				592.11320	1	Hydraulic Power Steering Wheel Support Assembly	
*	B1			592.11330	1	Steering Wheel Shaft Assembly	
	*		5	566.11322	1	Steering Wheel Shaft	
	*		6	343.21003	1	Flat Key 5x5x20 UNI6604	
*			1	351.21020	2	External Seeger 20 UNI 7435	
*			2	314.96300	2	Plain Washer 21x37x3 UNI 6592	
*			3	352.20028	1	Shim Ring	
*			4	552.14030	2	Bush	
*			7	533.11321	1	Steering Wheel Support	
*			8	311.55091	4	Allen Screw M10x70 UNI 5931	
*			9	312.45136	4	Locknut M10 UNI 7473	
*			10	314.91105	4	Plain Washer 10,5x20x2 UNI 6592	
*			11	313.15901	4	Stud Bolt M10x64x26x26	
*			12	382.22001	1	Lip Seal 20x32x7	
*			13	381.19825	1	O-Ring 2400 diam.101,32x1,73	
*			14	572.11323	1	Cover	
*			15	311.55052	2	Allen Screw M5x20 UNI 5931	
*			16	314.91165	1	Plain Washer 17x30x3 UNI 6592	
*			17	312.00202	1	Nut M16x1,5	





CASTOLDI

SINCE 1962 FORERUNNERS, ALWAYS

Strada Provinciale 114 n. 10 · 20080 Albairate (Milan) · ITALY
Tel : +39 02 9401881 · Fax : +39 02 94018850 · info@castoldijet.it
www.castoldijet.it



[castoldijet](https://www.instagram.com/castoldijet)